



## RV ACCESSORIES - SPARE PARTS

**2013 PRICE LIST**

Valid from 01-01-2013

**2013 LISTE DE PRIX**

Valable à partir du 01-01-2013

**2013 PRIJSLIJST**

Geldig vanaf 01-01-2013

**2013 PREISLISTE**

Gültig ab 01-01-2013

### **(EN) SALES CONDITIONS**

- Consumer Prices exclude tax.
- All prices can be modified without previous notice.
- This price list cancels all previous price lists.

### **(FR) CONDITIONS DE VENTE**

- Prix public conseillés hors taxes.
- Ces prix peuvent être sujet à modification sans notification préalable.
- Cette liste de prix annule et remplace toute autre liste publiée antérieurement.

### **(NL) VERKOOPSVORWAARDEN**

- Consumentenprijzen excl. BTW.
- De prijzen kunnen op elk moment gewijzigd worden zonder voorafgaande melding.
- Deze prijslijst vernietigt alle voorafgaande prijslijsten.

### **(DE) VERKAUFSBEDINGUNGEN**

- Endverbraucherpreise excl. MwSt.
- Preiseänderungen behalten wir uns vor, ohne vorherige Bekanntmachung.
- Mit dieser Preisliste verlieren alle vorher veröffentlichten Preislisten Ihre Gültigkeit.

Thule NV  
Kortrijkstraat 343  
BE-8930 Mene  
Belgium

Phone +32 56 52 88 99  
Fax +32 56 51 02 05  
www.thule.com  
infoRV@thule.com

Price List 2013

# 2013 SPARE PARTS LIST

## Index



AWNINGS	Type	Model	Page
Current	All	Awning common parts	3
	Wall awnings	Thule Omnistor Caravan Style	5
		Thule Omnistor W150	6
		Thule Omnistor 2000	7
		Thule Omnistor 4900	8
		Thule Omnistor 5102	10
		Thule Omnistor 5003	11
		Thule Omnistor 8000	14
	Roof awnings	Thule Omnistor 6200	17
		Thule Omnistor 9200	20
		Thule Omnistor 6002	22
		Thule Omnistor 6502 & 6900	25
	Specials	Tristor <sup>2</sup>	28
		Thule Omnistor 6002 Hobby	30
VW California		32	
Phased-out	Thule Omnistor 5002	33	
	Omni V10	36	
	Thule Omnistor 5500 / 5800	38	
	600K	41	
TENTS	Type	Model	Page
Current	Safari Residence	all models	42
	Safari Room	all models	44
	Safari Style	all models	46
BIKE CARRIERS	Type	Model	Page
Current	Excellent	long version / short version / common parts	47
	Elite G2 / Sport G2	G2 common parts	48
		Elite G2 : long version / short version / HH	50
	Rear wall	Sport G2 : long version / short version / W150-Hobby	51
		Sport G2 : tour / universal	52
	Specials	Elite G2 van / Sport G2 van	53
		Sport G2: garage / 2 doors	54
	Essential	long version / short version / common parts	55
	Elite / Sport	common parts	56
	Rear wall	Sport : long version / short version / W150 / Hobby	58
		Sport : caravan tour / caravan universal	61
	A-frame	Elite : long version / short version / FH / HH	63
		Sport : caravan / caravan comfort / caravan special	60
	Specials	Sport : Ducato	59
		Sport : garage / 2 doors	62
		Elite : Euracargo	64
		Lift	65
	Phased-out	Omnibike / OB plus / OB deluxe common parts	66
		Omnibike plus & Omnibike plus short version	68
Omnibike plus E		69	
STEPS	Type	Model	Page
Current	All	Step common parts	70
	Single step V10	71	
	Double step	73	
	Slide-out step	74	
Specials	Slide-out Lift	76	
Phased-out	Manual step 47	77	
	Single step V02	78	
OTHER			Page
		Windscreen	80
		Rooflights Omnivent	81
		Ladders and Roofrails	83
		Boxes	84

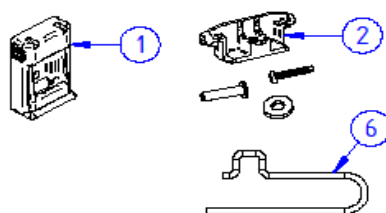
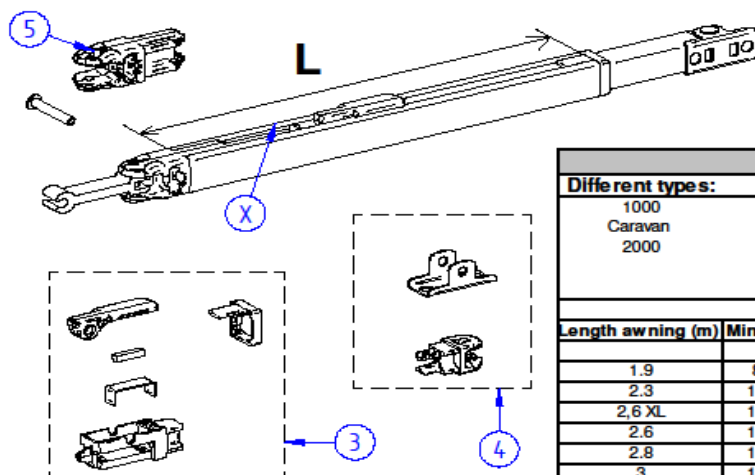
# 2013 SPARE PARTS LIST

## Awning common Parts

**THULE**  
SWEDEN

STA600

**THULE**  
SWEDEN



Support arm light >2009						
Different types:						
1000	5002	6002	OmniV10			
Caravan	5003	6002 Car & style	OmniV10 XL			
2000	5102/VW	6802 < 4m	OmniSol			
	5800 < 4m	6002 Hobby	600K			
	8000 (3,5m)		600K-TL			
General rule						
Length awning (m)	Min. height	Max. height	L = outer profile	3 parts	2 parts	Movex
1.9	87 cm	177 cm	68 cm	X		1500601588
2.3	107 cm	217 cm	88 cm	X		1500601609
2,6 XL	123 cm	276 cm	103 cm	X		1500601960
2.6	123 cm	208 cm	103 cm		X	1500601610
2.8	131 cm	225 cm	111 cm		X	1500601961
3	144 cm	248 cm	123 cm		X	1500601611
3,5 -4,5	167 cm	296 cm	147 cm		X	1500601612

Support arm heavy						
Different types:						
5500-5575-5800	8000	6502-6802-6900	6002 Jet			
General rule						
Length awning (m)	Min. height	Max. height	L = outer profile	2 parts		Movex
4,0 - 6,0	185	332	165 cm	X		1500601312
Caravan Style						
Support leg	Min height	Max. height	L = outer profile	3 parts	2 parts	Movex
2,3-2,6	103 cm	228 cm	84 cm	X		1500602182
3,0-4,5	140 cm	241 cm	119 cm		X	1500602183

THULE Omnistor General pieces 1

STA 600-01

	ART.NR.	DESCRIPTION	RETAIL € (ex.VAT)
1	1500601212	PLASTIC BOTT.MOUNT.BRACKET 2PCS	13.20
	1500602390	BOTTOM MOUNTING BRACKET BLACK 2PC	13.20
2	1500601789	CENTRAL CLAMP SUPPORT LEG V2	2.80
3	1500601605	ADJ.BALANCER ASSY SUPPORT LEG V2 (2 PCS)	4.80
4	1500601604	FOOT + RIVET SUPPORT LEG V2 (2PCS)	11.40
5	1500601603	FEMALE HINGE SUPPORT LEG V2	9.40
	1500601588	SUPPORT ARM V2 1.90M	62.80
	1500601609	SUPPORT ARM V2 2.30M	62.80
	1500601960	SUPPORT ARM V2 2.60M XL	62.80
	1500601611	SUPPORT ARM V2 3.00M	56.80
	1500601612	SUPPORT ARM V2 3.50-4.50M	56.80
	1500601312	SUPPORT ARM V2 LARGE	62.80
	1500602182	SUPPORT ARM CARAVAN STYLE 2,30/2,60 M	65.20
	1500602183	SUPPORT ARM CARAVAN STYLE 3,00/4,50M	65.20
6	1500602670	WIRE SPRING SUPPORT LEG V2 - 2PC	4.80

# 2013 SPARE PARTS LIST

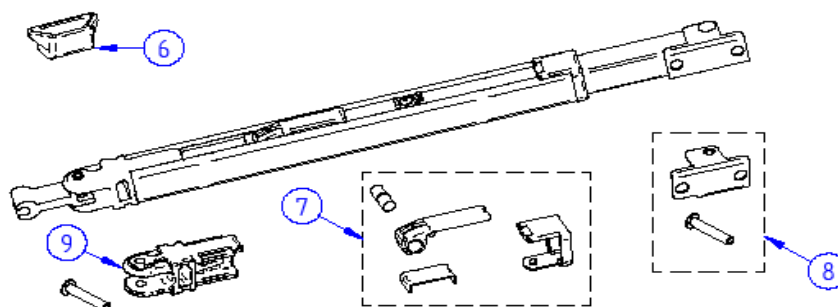
## Awning common Parts

**THULE**  
SWEDEN

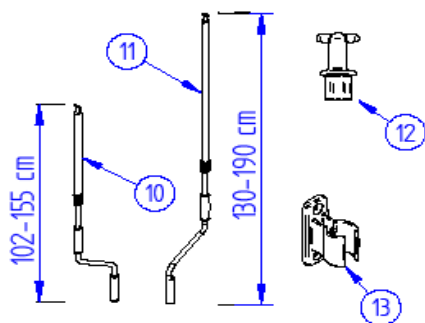
STA601

Support leg < 2009

**THULE**  
SWEDEN



Handcrank



Coupling Funnel

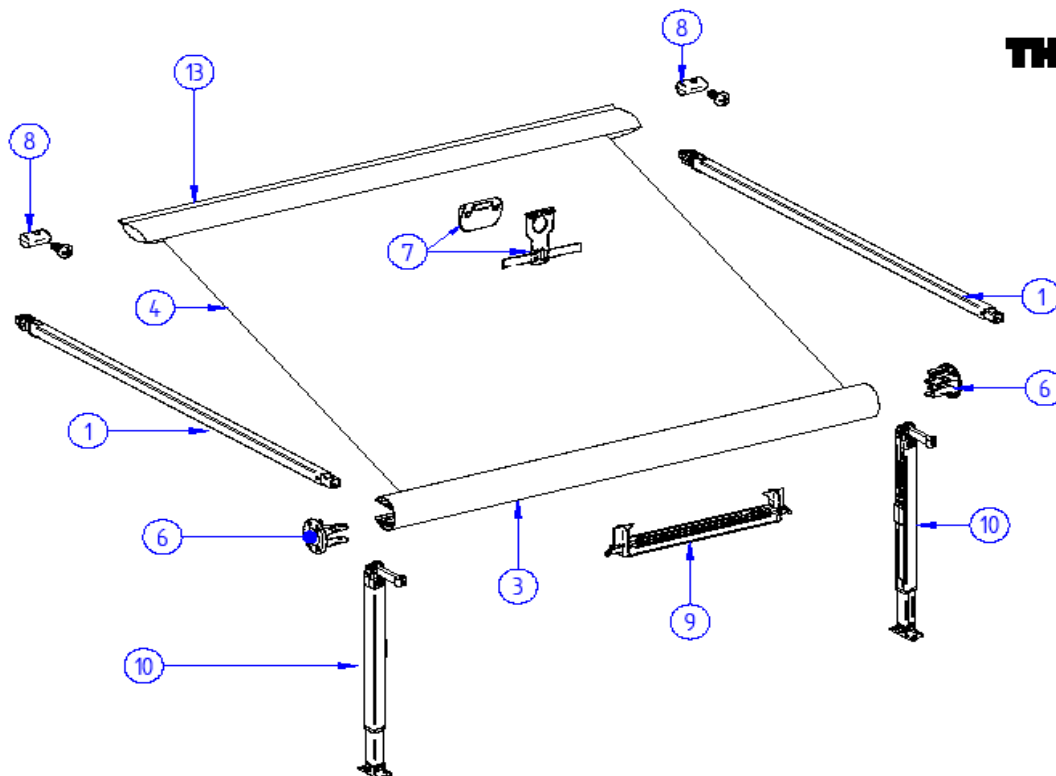


THULE Omnistor General pieces 2

STA 601-00

	ART.NR.	DESCRIPTION	RETAIL € (ex.VAT)
6	1500601789	CENTRAL CLAMP SUPPORT LEG	2.80
7	1500601150	ADJ.BALANCER ASSY SUPPORT LEG (2 PCS)	6.60
8	1500601231	FOOT + RIVET SUPPORT LEG (2PCS)	7.40
9	1500601278	FEMALE HINGE SUPPORT LEG ASSY	9.40
10	1500602210	HAND CRANK ASSY SHORT	36.20
11	1500600115	HAND CRANK ASSY LONG	39.80
12	1500601279	UPPER CRANK PIN	7.40
13	1500601222	HAND CRANK CLIPS (2PCS)	5.80
14	1500601211	COUPLING FUNNEL	14.60
15	1500602406	THULE AWNING LOGO STICKER	2.60

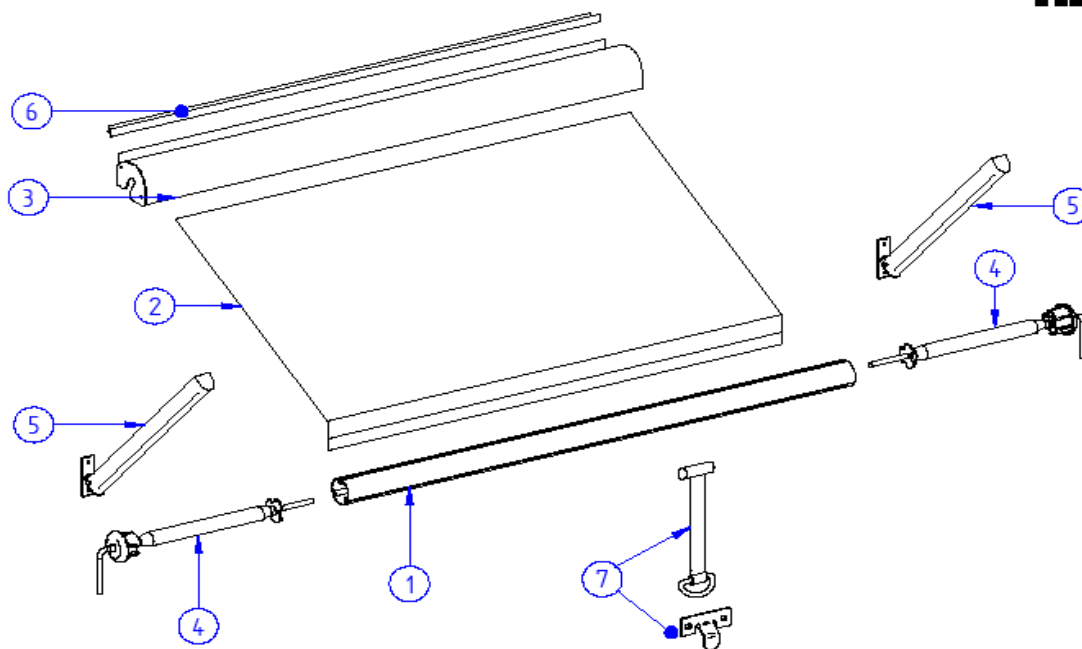
**2013 SPARE PARTS LIST**  
**CARAVAN STYLE**



THULE Omnistor Caravan Style

3A 602

	ART.NR.	DESCRIPTION	RETAIL € (ex.VAT)
1	1500602184	RAFTER ARM ASSY 2,30/2.60 M	58.20
	1500602185	RAFTER ARM ASSY 3.00/4,50 M	58.20
3	1500601808	ROLLER TUBE CAR STYLE - 2,30M	53.40
	1500601737	ROLLER TUBE CAR STYLE 2.60M	58.60
	1500600046	ROLLER TUBE CAR STYLE 3.00M	67.60
	1500601809	ROLLER TUBE CAR STYLE - 3,50M	78.80
	1500601810	ROLLER TUBE CAR STYLE - 4,00M	90.00
	1500601470	ROLLER TUBE CAR STYLE 4.50M	101.20
4	1500600062	FABRIC 2.30M CAR STYLE 03 BL SK	205.00
	1500600063	FABRIC 2.30M CAR STYLE 04 AL GR	205.00
	1500600064	FABRIC 2.60M CAR STYLE 03 BL SK	217.20
	1500600065	FABRIC 2.60M CAR STYLE 04 AL GR	217.20
	1500600066	FABRIC 3.00M CAR STYLE 03 BL SK	241.60
	1500600067	FABRIC 3.00M CAR STYLE 04 AL GR	241.60
	1500600069	FABRIC 3.50M CAR STYLE 03 BL SK	266.00
	1500600070	FABRIC 3.50M CAR STYLE 04 AL GR	266.00
	1500600071	FABRIC 4.00M CAR STYLE 03 BL SK	292.60
	1500600072	FABRIC 4.00M CAR STYLE 04 AL GR	292.60
	1500600073	FABRIC 4.50M CAR STYLE 03 BL SK	320.40
	1500600074	FABRIC 4.50M CAR STYLE 04 AL GR	320.40
5	308240	TENSION RFT 2.30M CAR STYLE	0.00
6	1500601173	L+R ENDCAP ROLL.TUBE CAR STYLE	16.60
7	1500601174	TENSION ARM GUARD CAR STYLE 2PCS	11.20
8	1500601177	CARAVAN RAIL BLOCKER SET	3.80
9	1500601193	COUNT.PCE R.TUBE CAR STYLE 1.90M	4.00
	1500601811	COUNT PC TUBE CAR STYLE 2,60M	4.00
	1500601194	COUNT.PCE R.TUBE CAR STYLE 3.50M	5.40
	1500601195	COUNT.PCE R.TUBE CAR STYLE 4.00M	6.80
	1500601812	COUNT.PCE R.TUBE CAR STYLE 4,50M	8.00
10	1500602182	SUPPORT ARM 2,30/2,60 M	65.20
	1500602183	SUPPORT ARM 3,00/4,50M	65.20



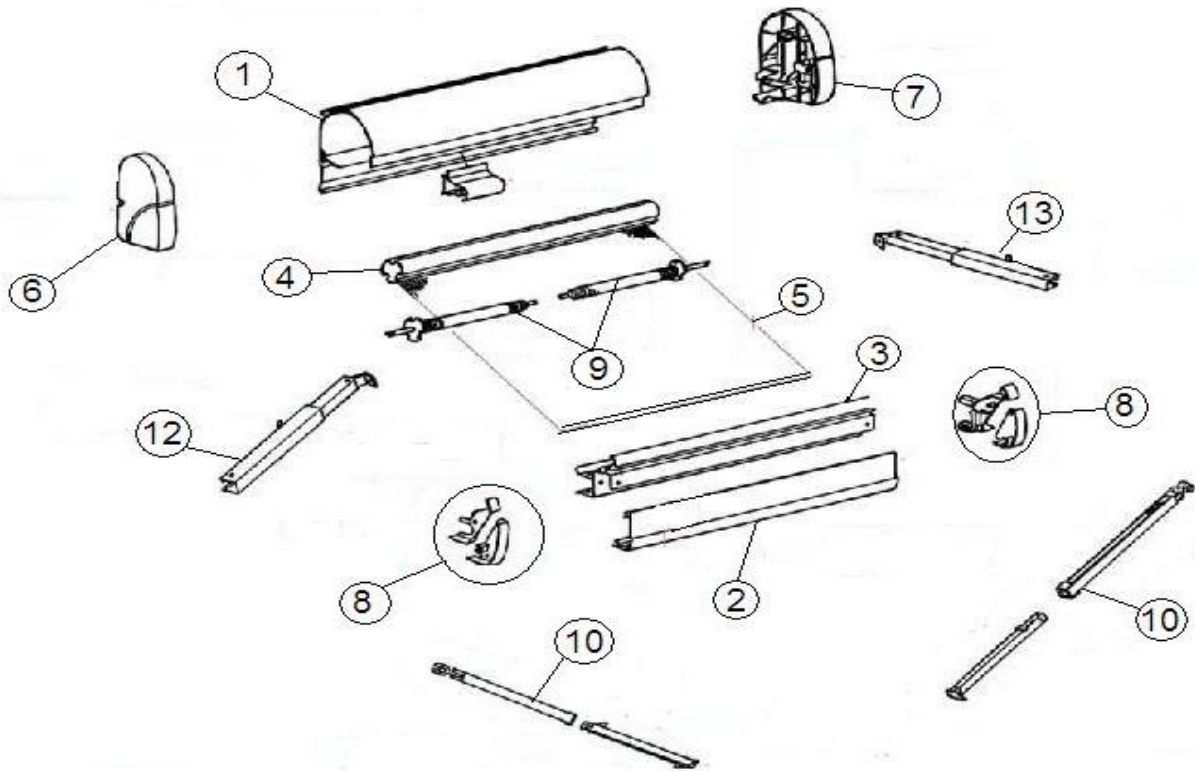
THULE Omnistor W150

WA 606

	ART.NR.	DESCRIPTION	RETAIL € (ex.VAT)
1	1500601804	ROLLER TUBE W150 - 1,00M	20.20
	1500601805	ROLLER TUBE W150 - 1,20M	25.20
	1500601806	ROLLER TUBE W150 - 1,40M	29.80
	1500601454	ROLLER TUBE WA 1.85M	38.60
	1500601807	ROLLER TUBE W150 - 2,85M	56.80
2	1500601813	FABRIC W150 1,00M 03	43.80
	1500600011	FABRIC W150 1,00M 04	43.80
	1500600012	FABRIC W150 1,00M 13 SCREEN	43.80
	1500601814	FABRIC W150 1,20M 03	52.00
	1500601536	FABRIC W150 1.20M 04	52.00
	1500600018	FABRIC W150 1,20M 13 SCREEN	52.00
	1500601815	FABRIC W150 1,40M 03	59.60
	1500600024	FABRIC W150 1,40M 04	59.60
	1500600025	FABRIC W150 1,40M 13 SCREEN	59.60
	1500601787	FABRIC W150 1,85M 03	73.80
	1500600030	FABRIC W150 1,85M 04	73.80
	1500600031	FABRIC W150 1,85M 13 SCREEN	73.80
	1500601819	FABRIC W150 2,85M 03	97.60
	1500601820	FABRIC W150 2,85M 04	97.60
	1500600036	FABRIC W150 2,85M 13 SCREEN	97.60
3	1500600041	HOUSING & RAIL PROF. W150 1.00M	38.60
	1500601455	HOUSING & RAIL PROF. W150 1.20M	43.00
	1500601822	HOUSING & RAIL PROF. W150 1.40M	54.00
	1500601456	HOUSING & RAIL PROF. W150 1,85M	69.40
	1500601823	HOUSING & RAIL PROF. W150 2,85M	100.20
4	1500601190	LH + RH TORSION ASSY W150	44.40
5	1500601191	LH & RH SUPPORT ARM W150	35.20
6	1500601824	ADAPTER W150 (2PCS)	13.00
7	1500601192	STRAP & STRAP HANGER W150	11.20

# 2013 SPARE PARTS LIST

## 2000



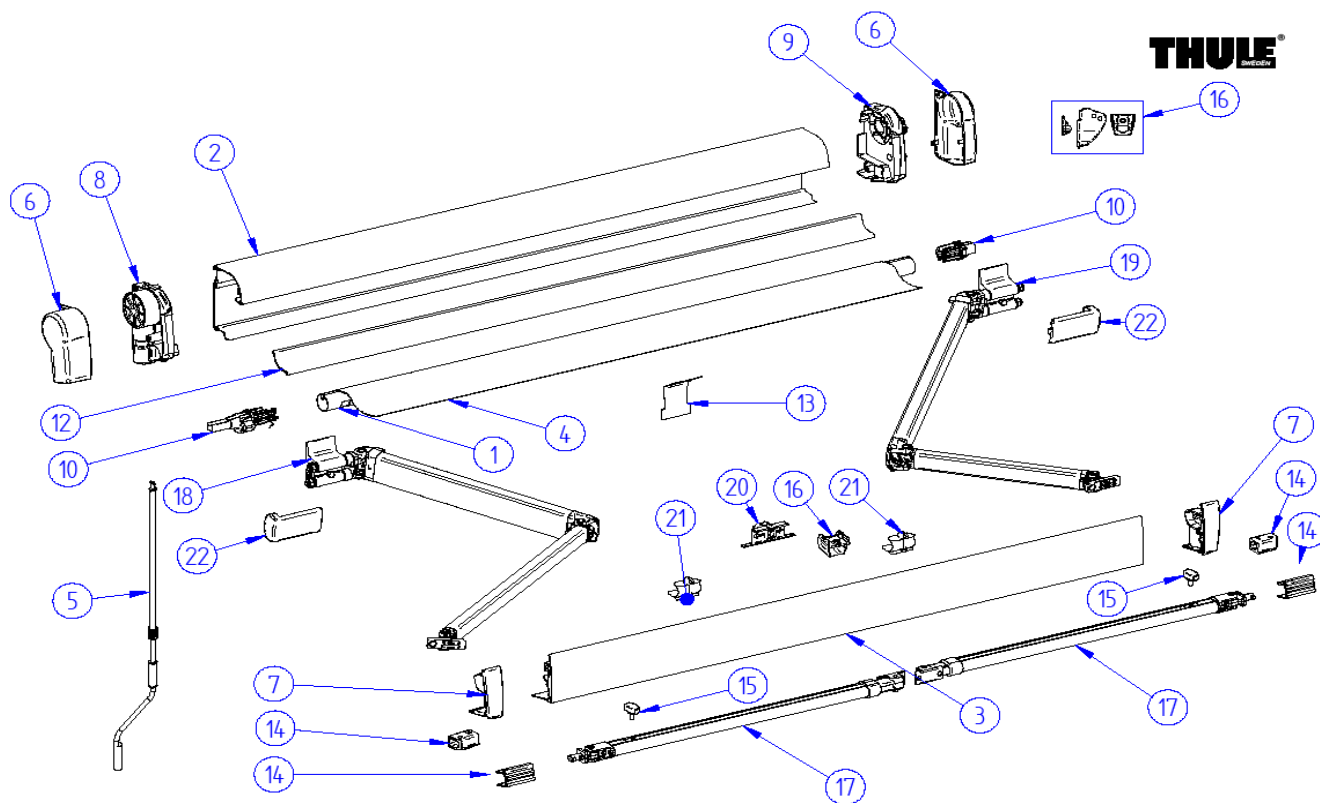
	ART.NR.	DESCRIPTION	RETAIL € (ex.VAT)
1	1500600742	MAIN HOUSING 2000 1.90M	71.40
	1500600743	MAIN HOUSING 2000 2.60M	92.20
	1500600744	MAIN HOUSING 2000 3.00M	106.40
2	1500600745	COVER LEAD RAIL 2000 1.90M	28.60
	1500600746	COVER LEAD RAIL 2000 2.60M	36.60
	1500600747	COVER LEAD RAIL 2000 3.00M	42.00
3	1500600748	INSIDE LEAD RAIL 2000 1.90M	52.00
	1500600749	INSIDE LEAD RAIL 2000 2.60M	67.00
	1500600750	INSIDE LEAD RAIL 2000 3.00M	77.20
4	1500600751	ROLLER TUBE 2000 1.90M	38.60
	1500600752	ROLLER TUBE 2000 2.60M	49.40
	1500600753	ROLLER TUBE 2000 3.00M	56.80
5	1500602325	FABRIC 1.90M 2000 04	115.40
	1500600758	FABRIC 1.90M 2000 22 RAL 9002	115.40
	1500602326	FABRIC 2,60M 2000 04	181.00
	1500600762	FABRIC 2,60M 2000 22 RAL 9002	181.00
	1500602180	FABRIC 3,00M 2000 04	201.40
	1500600767	FABRIC 3.00M 2000 22 RAL 9002	201.40
6	1500601196	LH COVER ASSY OMNISTOR 2000	9.40
7	1500601197	RH COVER ASSY OMNISTOR 2000	9.40
8	1500601198	LH+RH END PLATE LEAD RAIL 2000	7.20
9	1500601199	LH + RH TORSION ASSY 2000	44.40
10	1500601588	SUPPORT ARM V2 1.90M	62.80
	1500601960	SUPPORT ARM V2 2.60M XL	62.80
	1500601611	SUPPORT ARM V2 3.00M	56.80
12	1500601323	LH RAFTER ARM ASSY 1.90M 2000	57.80
	1500601324	LH RAFTER ARM ASSY 2.60M 2000	57.80
	1500601325	LH RAFTER ARM ASSY 3.00M 2000	57.80
13	1500601326	RH RAFTER ARM ASSY 2000 1.90M	57.80
	1500601327	RH RAFTER ARM ASSY 2000 2.60M	57.80
	1500601328	RH RAFTER ARM ASSY 2000 3.00M	57.80

# 2013 SPARE PARTS LIST

## 4900

**THULE**  
SWEDEN

4AY602-02



THULE Omnistor 4900

4AY602-02

	ART.NR.	DESCRIPTION	RETAIL € (ex.VAT)
1	1500602658	ROLLER TUBE D=30X0.8MM / 4900-2,60M	42.40
	1500602186	ROLLER TUBE D=30X0.8MM / 4900-3.00M	47.00
	1500602187	ROLLER TUBE D=30X0.8MM / 4900-3.50M	53.60
	1500602188	ROLLER TUBE D=30X0.8MM / 4900-4.00M	60.00
	1500602189	ROLLER TUBE D=30X0.8MM / 4900-4.50M	66.60
2	1500602659	MAINHOUSING 4900 2M60 WHITE	118.60
	1500602190	MAINHOUSING 4900 3M00 WHITE	129.80
	1500602191	MAINHOUSING 4900 3M50 WHITE	144.80
	1500602192	MAINHOUSING 4900 4M00 WHITE	172.60
	1500602193	MAINHOUSING 4900 4M50 WHITE	187.60
	1500602660	MAINHOUSING 4900 2M60 ANO	118.60
	1500602198	MAINHOUSING 4900 3M00 ANO	129.80
	1500602199	MAINHOUSING 4900 3M50 ANO	144.80
	1500602200	MAINHOUSING 4900 4M00 ANO	172.60
	1500602201	MAINHOUSING 4900 4M50 ANO	187.60
3	1500602661	LEADRAIL 4900 2M60 WHITE	84.60
	1500602194	LEADRAIL 4900 3M00 WHITE	93.60
	1500602195	LEADRAIL 4900 3M50 WHITE	107.80
	1500602196	LEADRAIL 4900 4M00 WHITE	122.80
	1500602197	LEADRAIL 4900 4M50 WHITE	124.60
	1500602662	LEADRAIL 4900 2M60 ANO	84.60
	1500602248	LEADRAIL 4900 3M00 ANO	93.60
	1500602249	LEADRAIL 4900 3M50 ANO	107.80
	1500602250	LEADRAIL 4900 4M00 ANO	122.80
	1500602251	LEADRAIL 4900 4M50 ANO	124.60
4	1500602663	FABRIC 2M60 4900 31	181.00
	1500602664	FABRIC 2M60 4900 32	181.00
	1500602202	FABRIC 3M00 4900 31	201.40
	1500602203	FABRIC 3M00 4900 32	201.40
	1500602204	FABRIC 3M50 4900 31	224.00
	1500602205	FABRIC 3M50 4900 32	224.00
	1500602206	FABRIC 4M00 4900 31	246.60



# 2013 SPARE PARTS LIST



4900

4AY602-02

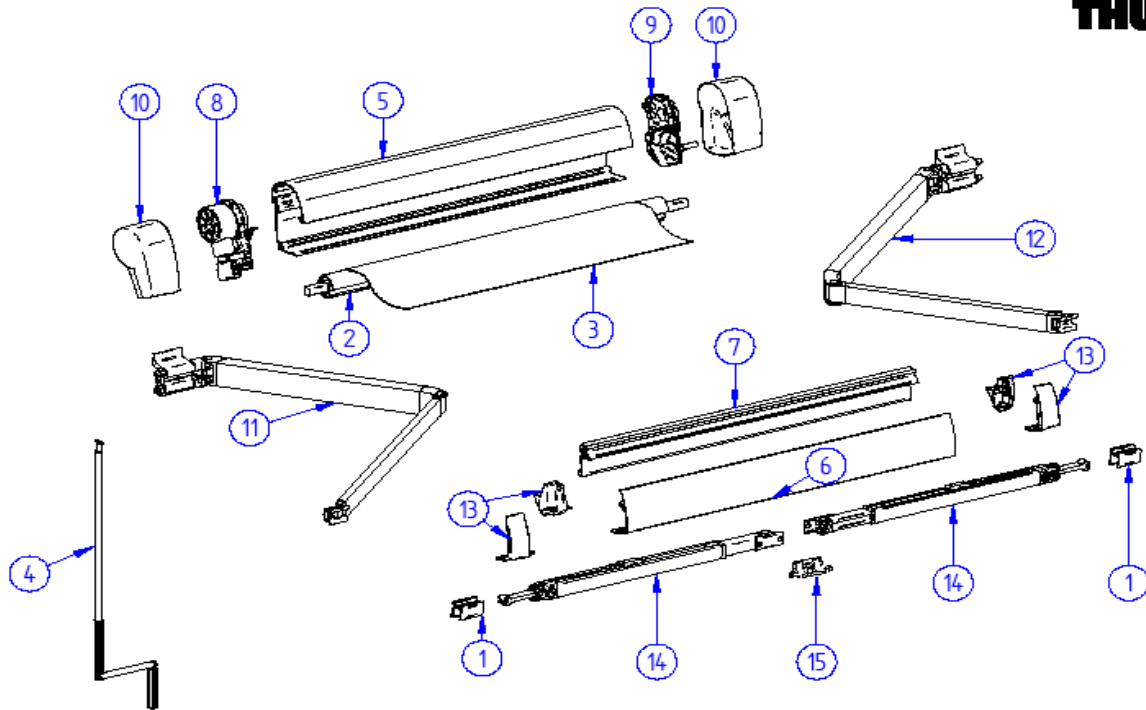
	1500602207	FABRIC 4M00 4900 32	246.60
	1500602208	FABRIC 4M50 4900 31	266.00
	1500602209	FABRIC 4M50 4900 32	266.00
5	1500602210	HAND CRANK SMALL G2	36.20
6	1500602211	LH + RH ENDCAP MAINHOUSING 4900	12.00
	1500602212	LH + RH ENDCAP MAINHOUSING 4900 ANO	12.00
7	1500602213	LH + RH ENDCAP LEADRAIL 4900	9.80
	1500602214	LH + RH ENDCAP LEADRAIL 4900 ANO	9.80
8	1500602215	LH ENDPLATE ASSY 4900	38.80
	1500602216	LH ENDPLATE ASSY 4900 ANO	38.80
9	1500602217	RH ENDPLATE ASSY 4900	12.00
	1500602218	RH ENDPLATE ASSY 4900 ANO	12.00
10	1500602219	LH + RH ENDCAP ROLLERTUBE 4900	9.60
11	1500602374	LH+RH CONN LEAD RAIL 4900	12.40
12	1500602665	SUPPORT ROLLER TUBE 4900 2M60	11.40
	1500602284	SUPPORT ROLLER TUBE 4900 3M00	12.00
	1500602285	SUPPORT ROLLER TUBE 4900 3M50	13.20
	1500602221	SUPPORT ROLLER TUBE 4900 4M00	14.60
	1500602222	SUPPORT ROLLER TUBE 4900 4M50	15.80
13	1500602223	SPRING SUPPORT ROLLER TUBE 4900	5.80
14	1500602224	CONNECTION SUPPORT ARM 4900	15.00
15	1500602225	KNOB SUPPORT ARM OVAL (2PCS)	7.40
16	1500602226	CONNECTION PCS TENSION RAFTER 4900	5.40
17	1500602666	SUPPORT LEG OVAL 2M60	39.20
	1500602227	SUPPORT LEG OVAL 3M00	42.40
	1500602228	SUPPORT LEG OVAL 3M50-4M50	49.60
18	1500602667	L.H. SPRING ARM 4900 ANO 2M60	108.20
	1500602229	L.H. SPRING ARM 4900 ANO 3,0/3,5M	112.60
	1500602230	L.H. SPRING ARM 4900 ANO 4,0/4,5M	112.60
19	1500602668	R.H. SPRING ARM 4900 ANO 2M60	108.20
	1500602231	R.H. SPRING ARM 4900 ANO 3,0/3,5M	112.60
	1500602232	R.H. SPRING ARM 4900 ANO 4,0/4,5M	112.60
20	1500602233	CENTRAL CLAMP SUPPORT ARM OVAL	3.20
21	1500602233	CLIP SUPPORT ARM OVAL	3.20
22	1500602235	LH + RH COVER SPRING ARM BR.	5.40

**2013 SPARE PARTS LIST**  
5102

**THULE**  
SWEDEN

VW606

**THULE**  
PROTECT



THULE Omnistor 5102/VW

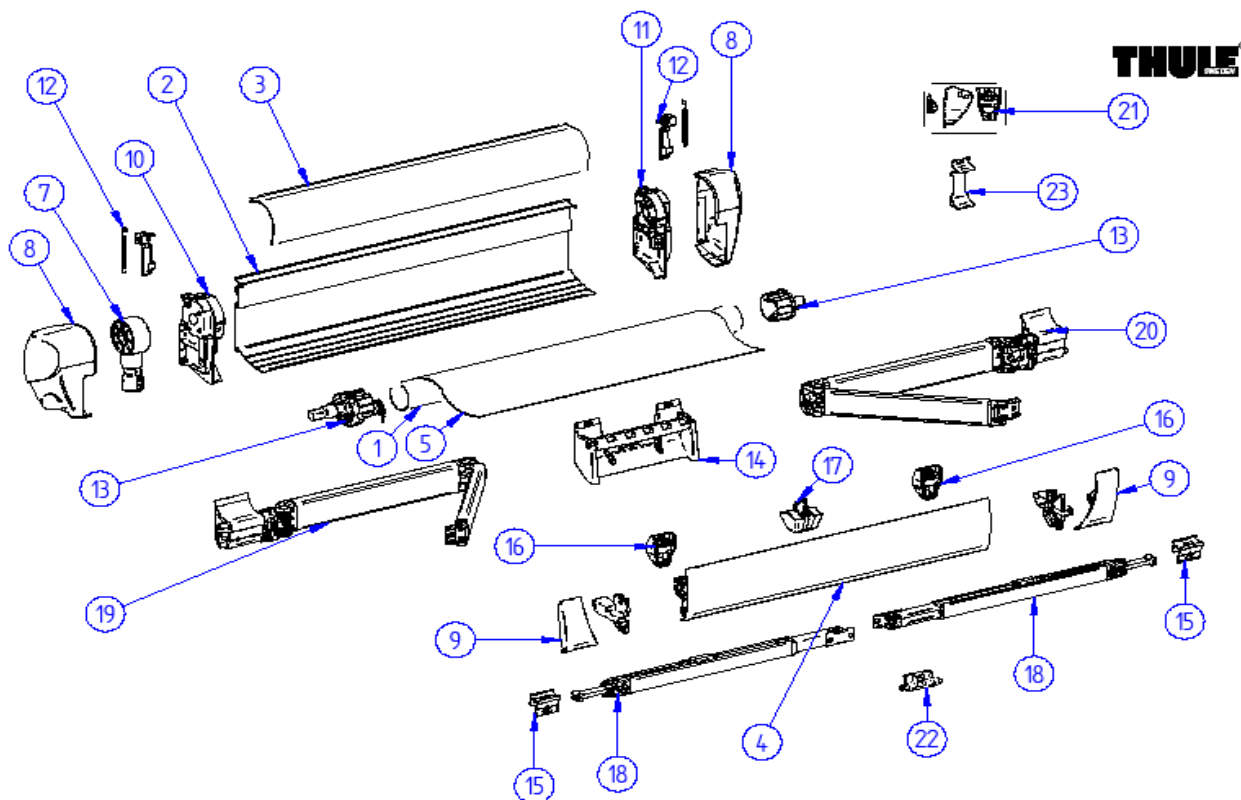
VW 606-00

	ART.NR.	DESCRIPTION	RETAIL € (ex.VAT)
1	1500600296	CONNECT. SUPP. ARM V97 SERIE 5	3.80
2	1500601954	ROLLER TUBE ASSY 5102 2.6M	77.40
3	1500600952	FABRIC 2.60M 5102 04	181.00
4	1500601124	HANDCRANK VW T5 + 5102	32.20
5	1500601689	MAIN HOUSING VW T5 RAL9006	138.80
6	1500601955	OUTSIDE LEAD RAIL 5102	54.80
7	1500601956	INSIDE LEAD RAIL 5102	55.20
8	1500601201	LH ENDPLATE + GEAR ASSY VW T5	53.40
9	1500601202	RH ENDPLATE MH VW T5	14.60
10	1500601203	LH+RH SIDECAP ASSY 5102	14.60
11	1500602103	LH SPRINGARM COMPL 5102	129.00
12	1500602104	RH SPRINGARM COMPL 5102	129.00
13	1500601206	LH+RH LEAD RAIL END PLATE ASSY 5102	8.60
14	1500601960	SUPPORT ARM V2 2.60M XL	62.80
15	1500601789	CENTRAL CLAMP SUPPORT ARM V2	2.80
16	1500601219	LH+RH CONN.LEAD RAIL	21.40
17	307993	ADAPTER SET 5102 VWT5 (not on image)	123.60

**2013 SPARE PARTS LIST**  
5003

**THULE**  
SWEDEN

5AF611



THULE Omnistor 5003

5AF611

	ART.NR.	DESCRIPTION	RETAIL € (ex.VAT)
1	1500601790	ROLLER TUBE 48 5002/5003 -1.9M	17.40
	1500601791	ROLLER TUBE 48 5002/5003 -2.3M	21.00
	1500601792	ROLLER TUBE 48 5002/5003 -2.6M	23.60
	1500601793	ROLLER TUBE 48 5002/5003 -3.0M	26.80
	1500601794	ROLLER TUBE 48 5002/5003 -3.5M	31.20
	1500601795	ROLLER TUBE 52 5003 -4.00M	60.80
	1500601796	ROLLER TUBE 52 5003 -4.50M	68.60
2	1500601546	MAIN HOUSING 5003 1.90M	67.00
	1500601547	MAIN HOUSING 5003 2.30M	78.60
	1500601548	MAIN HOUSING 5003 2.60M	87.40
	1500601549	MAIN HOUSING 5003 3.00M	101.00
	1500601550	MAIN HOUSING 5003 3.50M	118.00
	1500601551	MAIN HOUSING 5003 4.00M	135.60
	1500601552	MAIN HOUSING 5003 4.50M	152.80
	1500601567	MAIN HOUSING 5003 ANO 1.90M	67.60
	1500601568	MAIN HOUSING 5003 ANO 2.30M	79.40
	1500601569	MAIN HOUSING 5003 ANO 2.60M	88.20
	1500601570	MAIN HOUSING 5003 ANO 3.00M	102.00
	1500601571	MAIN HOUSING 5003 ANO 3.50M	119.20
3	1500601572	MAIN HOUSING 5003 ANO 4.00M	137.20
	1500601573	MAIN HOUSING 5003 ANO 4.50M	154.40
	1500601553	ROOF HOUSING 5003 1.90M	33.80
	1500601554	ROOF HOUSING 5003 2.30M	41.20
	1500601555	ROOF HOUSING 5003 2.60M	45.60
	1500601556	ROOF HOUSING 5003 3.00M	52.80
	1500601557	ROOF HOUSING 5003 3.50M	61.80
	1500601558	ROOF HOUSING 5003 4.00M	71.20
	1500601559	ROOF HOUSING 5003 4.50M	80.20
	1500601574	ROOF HOUSING 5003 ANO 1.90M	35.60
	1500601575	ROOF HOUSING 5003 ANO 2.30M	42.00
	1500601576	ROOF HOUSING 5003 ANO 2.60M	46.60
	1500601577	ROOF HOUSING 5003 ANO 3.00M	53.80

# 2013 SPARE PARTS LIST



5003

5AF611

	1500601578	ROOF HOUSING 5003 ANO 3.50M	63.00
	1500601579	ROOF HOUSING 5003 ANO 4.00M	72.60
	1500601580	ROOF HOUSING 5003 ANO 4.50M	81.80
4	1500601560	LEAD RAIL 5003 1.90M	52.40
	1500601561	LEAD RAIL 5003 2.30M	61.80
	1500601562	LEAD RAIL 5003 2.60M	68.40
	1500601563	LEAD RAIL 5003 3.00M	79.20
	1500601564	LEAD RAIL 5003 3.50M	92.80
	1500601565	LEAD RAIL 5003 4.00M	124.80
	1500601566	LEAD RAIL 5003 4.50M	138.00
	1500601581	LEAD RAIL 5003 ANO 1.90M	53.20
	1500601582	LEAD RAIL 5003 ANO 2.30M	62.80
	1500601583	LEAD RAIL 5003 ANO 2.60M	69.40
	1500601584	LEAD RAIL 5003 ANO 3.00M	80.40
	1500601585	LEAD RAIL 5003 ANO 3.50M	94.20
	1500601586	LEAD RAIL 5003 ANO 4.00M	127.20
	1500601587	LEAD RAIL 5003 ANO 4.50M	143.40
5	1500601617	FABRIC 1.90M 5003 03 BL SK	115.40
	1500601618	FABRIC 1.90M 5003 04 AL GR	115.40
	1500601622	FABRIC 1.90M 5003 22 RAL 9002	115.40
	1500601624	FABRIC 1.90M 5003 31 MY GR	115.40
	1500601625	FABRIC 1.90M 5003 32 SA BL	115.40
	1500601626	FABRIC 2.30M 5003 03 BL SK	160.60
	1500601627	FABRIC 2.30M 5003 04 AL GR	160.60
	1500601631	FABRIC 2.30M 5003 22 RAL 9002	160.60
	1500601633	FABRIC 2.30M 5003 31 MY GR	160.60
	1500601634	FABRIC 2.30M 5003 32 SA BL	160.60
	1500601635	FABRIC 2.60M 5003 03 BL SK	181.00
	1500601636	FABRIC 2.60M 5003 04 AL GR	181.00
	1500601640	FABRIC 2.60M 5003 22 RAL9002	181.00
	1500601642	FABRIC 2.60M 5003 31 MY GR	181.00
	1500601643	FABRIC 2.60M 5003 32 SA BL	181.00
	1500601644	FABRIC 3.00M 5003 03 BL SK	201.40
	1500601645	FABRIC 3.00M 5003 04 AL GR	201.40
	1500601649	FABRIC 3.00M 5003 22 RAL9002	201.40
	1500601651	FABRIC 3.00M 5003 31 MY GR	201.40
	1500601652	FABRIC 3.00M 5003 32 SA BL	201.40
	1500601653	FABRIC 3.50M 5003 03 BL SK	224.00
	1500601654	FABRIC 3.50M 5003 04 AL GR	224.00
	1500601658	FABRIC 3.50M 5003 22 RAL9002	224.00
	1500601660	FABRIC 3.50M 5003 31 MY GR	224.00
	1500601661	FABRIC 3.50M 5003 32 SA BL	224.00
	1500601662	FABRIC 4.00M 5003 03 BL SK	246.60
	1500601663	FABRIC 4.00M 5003 04 AL GR	246.60
	1500601667	FABRIC 4.00M 5003 22 RAL 9002	246.60
	1500601669	FABRIC 4.00M 5003 31 MY GR	246.60
	1500601670	FABRID 4.00M 5003 32 SA BL	246.60
	1500601671	FABRIC 4.50M 5003 03 BL SK	266.00
	1500601672	FABRIC 4.50M 5003 04 AL GR	266.00
	1500601676	FABRIC 4.50M 5003 22 RAL 9002	266.00
	1500601678	FABRIC 4.50M 5003 31 MY GR	266.00
	1500601679	FABRIC 4.50M 5003 32 SA BL	266.00
6	1500601207	HAND CRANK ASSY SHORT	36.20
7	1500601221	GEAR ASSY+COUPL.FUNN 5003	39.00
8	1500601589	LH+RH ENDCAP MAINHOUSING 5003	8.20
	1500601590	LH + RH ENDC MAINHOUS 5003 ANO	25.40
9	1500601591	LH+RH ENDCAP LEADRAIL 5003	7.60
	1500601592	LH+RH ENDCAP LEADRAIL 5003 ANO	22.00
10	1500601594	LH ENDPLATE ASSY 5003	10.80
11	1500601595	RH ENDPLATE ASSY 5003	10.80
12	1500601596	LH+RH LOCK ASSY 5003	5.00
13	1500601597	LH+RH ENDCAP ROLLER TUBE D52 (4,00-4,50M)	13.40

**2013 SPARE PARTS LIST**

5003

5AF611

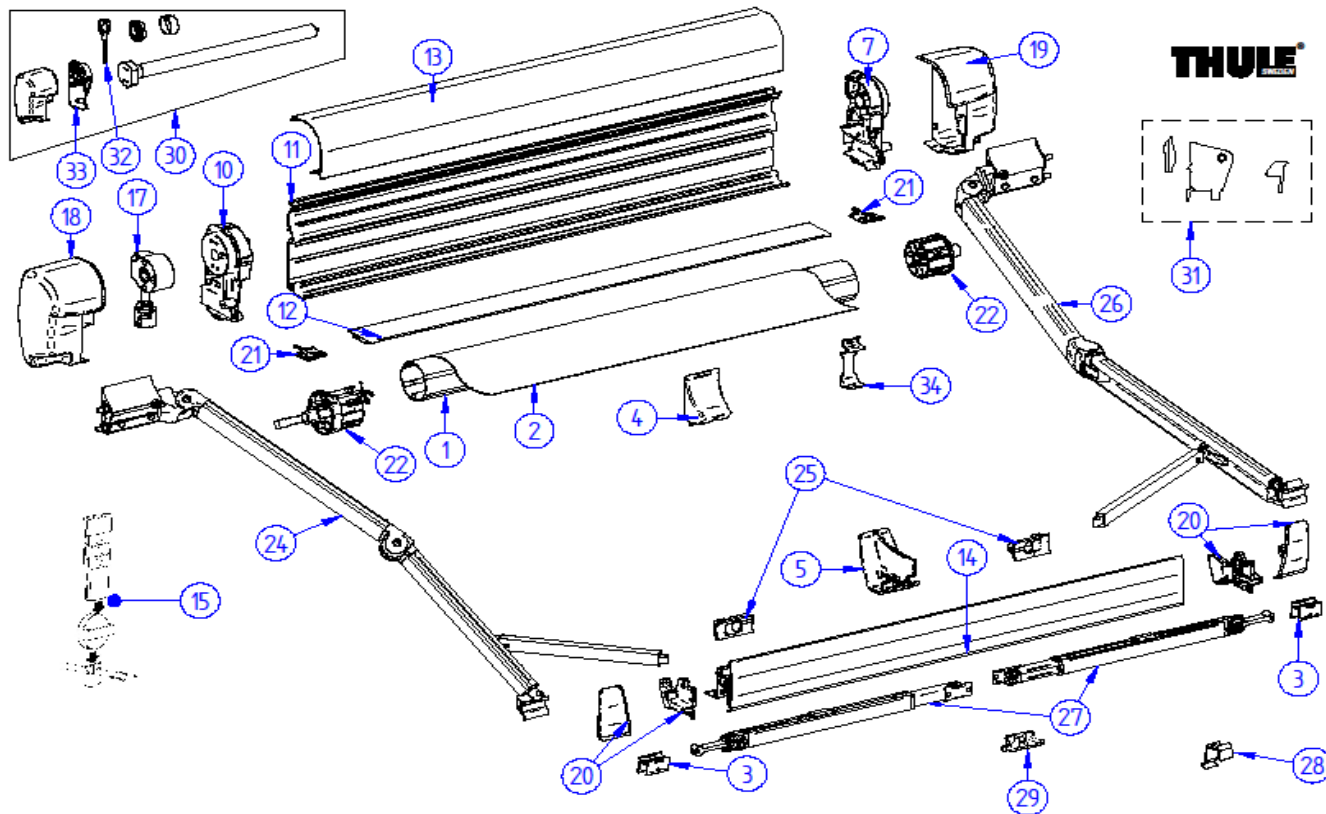
	1500601267	LH+RH ENDCAP ROLLER TUBE D48 (<3,50M)	13.40
14	1500601598	SUPPORT ROLLER TUBE 5003	9.20
15	1500601602	LH+RH CONN SUPPORT ARM 5003	3.20
16	1500601606	INSERT LEAD RAIL 5003 2PC	3.00
17	1500601607	GLIDING ANGLE LEAD RAIL	2.80
18	1500601588	SUPPORT ARM V2 1.90M	62.80
	1500601609	SUPPORT ARM V2 2.30M	62.80
	1500601960	SUPPORT ARM V2 2.60M XL	62.80
	1500601611	SUPPORT ARM V2 3.00M	56.80
	1500601612	SUPPORT ARM V2 3.50-4.50M	56.80
19	1500602074	L.H. SPRING ARM COMPL. 5003 - 1,90M	119.00
	1500602076	L.H. SPRING ARM COMPL. 5003 - 2,30M	126.60
	1500602078	L.H. SPRING ARM COMPL. 5003 - 2,60M	129.00
	1500602080	L.H. SPRING ARM COMPL. 5003 ≥3,00M	134.40
20	1500602075	R.H. SPRING ARM COMPL. 5003 - 1,90M	119.00
	1500602077	R.H. SPRING ARM COMPL. 5003 - 2,30M	126.60
	1500602079	R.H. SPRING ARM COMPL. 5003 - 2,60M	129.00
	1500602081	R.H. SPRING ARM COMPL. 5003 ≥3,00M	134.40
21	1500601608	CONNECTION PCS TENS RAFT 5003	5.60
22	1500601789	CENTRAL CLAMP SUPPORT ARM V2	2.80
23	1500602327	POSITIONER SPRING ARM - 2PC	6.20
24	1500601601	LH+RH CONN LEAD RAIL 5003	12.40

# 2013 SPARE PARTS LIST

## 8000

**THULE**  
SWEDEN

5AP606



THULE Omnistor 8000

SAP 606-00

	ART.NR.	DESCRIPTION	RETAIL € (ex.VAT)
1	1500601797	ROLLER TUBE 70 / 8000 -3,50M	56.80
	1500601798	ROLLER TUBE 70 / 8000 -4,00M	56.80
	1500601799	ROLLER TUBE 70 / 8000 -4,50M	64.20
	1500601800	ROLLER TUBE 70 / 8000 -5,00M	71.60
	1500601801	ROLLER TUBE 70 / 8000 -5,50M	79.00
	1500601802	ROLLER TUBE 70 / 8000 -6,00M	86.60
2	1500601825	FABRIC 8000 3,50M 03	224.00
	1500601826	FABRIC 8000 3,50M 04	224.00
	1500601830	FABRIC 8000 3,50M 22	224.00
	1500601832	FABRIC 8000 3,50M 31	224.00
	1500601833	FABRIC 8000 3,50M 32	224.00
	1500600077	FABRIC 4.00M 8000 03	271.20
	1500600078	FABRIC 4.00M 8000 04	271.20
	1500600082	FABRIC 4.00M 8000 22 RAL 9002	271.20
	1500601701	FABRIC 4.00M 8000 31	271.20
	1500601702	FABRIC 4.00M 8000 32	271.20
	1500600084	FABRIC 4.50M 8000 03	296.20
	1500600085	FABRIC 4.50M 8000 04	296.20
	1500600089	FABRIC 4.50M 8000 22 RAL 9002	296.20
	1500601703	FABRIC 4.50M 8000 31	296.20
	1500601704	FABRIC 4.50M 8000 32	296.20
	1500600092	FABRIC 5.00M 8000 03	321.00
	1500600093	FABRIC 5.00M 8000 04	321.00
	1500600097	FABRIC 5.00M 8000 22 RAL 9002	321.00
	1500601705	FABRIC 5.00M 8000 31	321.00
	1500601706	FABRIC 5.00M 8000 32	321.00
	1500600099	FABRIC 5.50M 8000 03	345.80
	1500600100	FABRIC 5.50M 8000 04	345.80
	1500600104	FABRIC 5.50M 8000 22 RAL 9002	345.80
	1500601707	FABRIC 5.50M 8000 31	345.80

# 2013 SPARE PARTS LIST



8000

5AP606

	1500601708	FABRIC 5.50M 8000 32	345.80
	1500600106	FABRIC 6.00M 8000 03	370.60
	1500600107	FABRIC 6.00M 8000 04	370.60
	1500600111	FABRIC 6.00M 8000 22 RAL 9002	370.60
	1500601686	FABRIC 6.00M 8000 31	370.60
	1500601709	FABRIC 6.00M 8000 32	370.60
3	1500600296	CONNECT. SUPP. ARM	3.80
4	1500600325	LEAD RAIL HOLD DOWN 8000	4.00
5	1500600326	GLIDING ANGLE LEAD RAIL 8000	2.60
6	1500600863	RELAIS + FEET MOTOR 8000 220V	27.40
7	1500600865	RH MAIN HOUS.END PL. ASSY 8000	23.80
	1500600867	RH ENDPLATE 8000 220V	14.60
8	1500601834	L.H. END PLATE ASSY 8000-220V	25.60
9	1500601259	LH+RH CONN.LEAD RAIL	23.20
10	1500600871	L.H. END PLATE ASSY 8000	25.60
11	1500602049	BACK HOUSING 8000 - 3,50M	156.00
	1500600890	BACK HOUSING 8000 - 4.00 M	156.00
	1500600891	BACK HOUSING 8000 - 4.50M	175.40
	1500600892	BACK HOUSING 8000 - 5.00M	195.00
	1500600893	BACK HOUSING 8000 - 5.50M	214.40
	1500600894	BACK HOUSING 8000 - 6.00M	234.00
	1500602050	BACK HOUSING 8000 ANO - 3,50M	156.00
	1500600910	BACK HOUSING 8000 ANO - 4.00M	156.00
	1500600911	BACK HOUSING 8000 ANO - 4.50M	175.40
	1500600912	BACK HOUSING 8000 ANO - 5.00M	195.00
	1500600913	BACK HOUSING 8000 ANO 5.50M	214.40
	1500600914	BACK HOUSING 8000 ANO - 6.00M	234.00
	1500602289	BACK HOUSING 8000 - 4.00 M RAL9002	156.00
	1500602290	BACK HOUSING 8000 - 4.50 M RAL9002	175.40
	1500602291	BACK HOUSING 8000 - 5.00 M RAL9002	195.00
	1500602292	BACK HOUSING 8000 - 5.50 M RAL9002	214.40
	1500602293	BACK HOUSING 8000 - 6.00 M RAL9002	234.00
12	1500602051	MAINHOUSING BOTTOM 8000 - 3,50M	38.80
	1500600895	MAINHOUSING BOTTOM 8000 - 4.00M	38.80
	1500600896	MAINHOUSING BOTTOM 8000 - 4.50M	43.60
	1500600897	MAINHOUSING BOTTOM 8000 - 5.00M	48.60
	1500600898	MAINHOUSING BOTTOM 8000 - 5.50M	54.60
	1500600899	MAINHOUSING BOTTOM 8000 - 6.00M	60.60
	1500602052	MAINHOUSING BOTTOM 8000 ANO - 3,50M	38.80
	1500600915	MAINHOUSING BOTTOM 8000 ANO - 4.00M	38.80
	1500600916	MAINHOUSING BOTTOM 8000 ANO - 4.50M	43.60
	1500600917	MAINHOUSING BOTTOM 8000 ANO - 5.00M	48.60
	1500600918	MAINHOUSING BOTTOM 8000 ANO - 5.50M	54.60
	1500600919	MAINHOUSING BOTTOM 8000 ANO - 6.00M	60.60
	1500602294	MAINHOUSING BOTTOM 8000 RAL9002 - 4.00M	38.80
	1500602295	MAINHOUSING BOTTOM 8000 RAL9002 - 4.50M	43.60
	1500602296	MAINHOUSING BOTTOM 8000 RAL9002 - 5.00M	48.60
	1500602297	MAINHOUSING BOTTOM 8000 RAL9002 - 5.50M	54.60
	1500602298	MAINHOUSING BOTTOM 8000 RAL9002 - 6.00M	60.60
13	1500602053	ROOFHOUSING 8000 - 3,50M	103.40
	1500600900	ROOFHOUSING 8000 - 4.00M	103.40
	1500600901	ROOFHOUSING 8000 - 4.50M	116.40
	1500600902	ROOFHOUSING 8000 - 5.00M	129.40
	1500600903	ROOFHOUSING 8000 - 5.50M	142.40
	1500600904	ROOFHOUSING 8000 - 6.00M	155.40
	1500602054	ROOFHOUSING 8000 ANO - 3,50M	103.40
	1500600920	ROOFHOUSING 8000 ANO - 4.00M	103.40
	1500600921	ROOFHOUSING 8000 ANO - 4.50M	116.40

# 2013 SPARE PARTS LIST



8000

5AP606

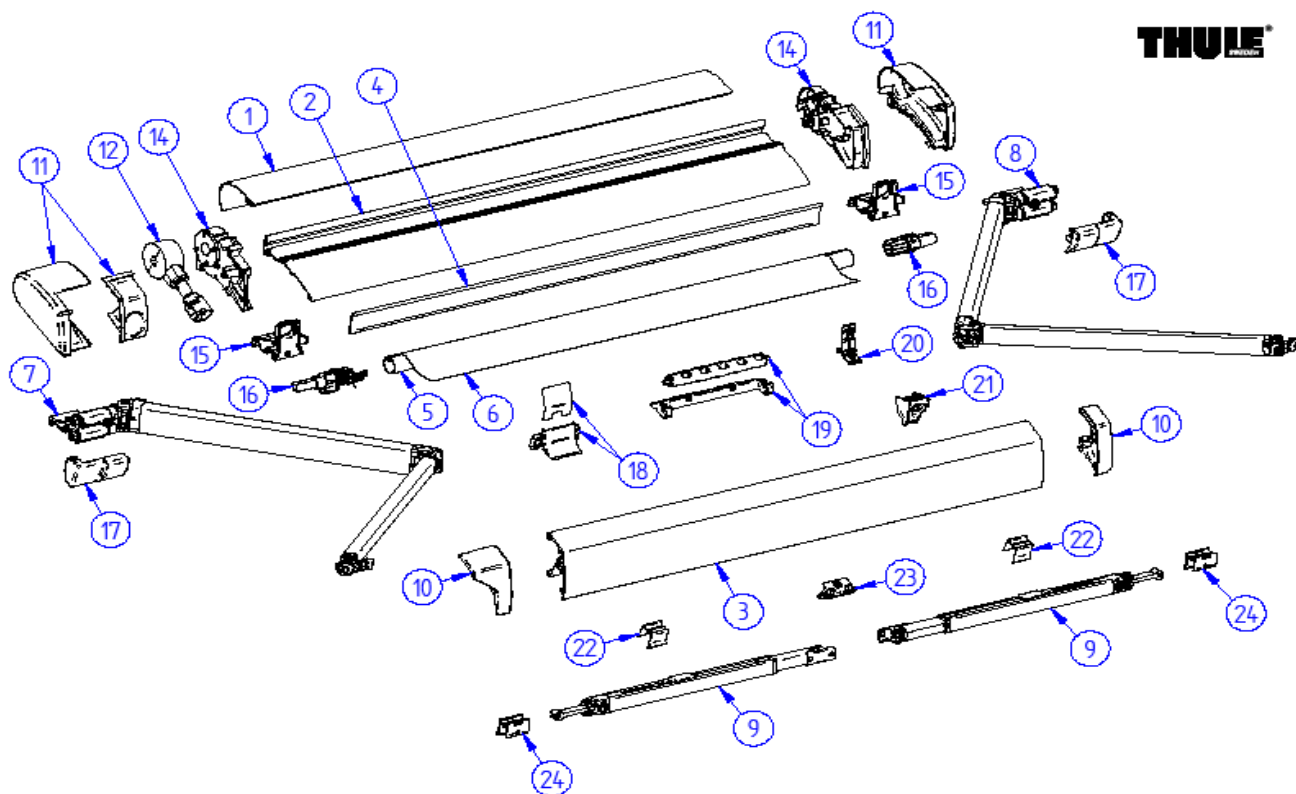
	1500600922	ROOFHOUSING 8000 ANO - 5.00M	129.40
	1500600923	ROOFHOUSING 8000 ANO - 5.50M	142.40
	1500600924	ROOFHOUSING 8000 ANO - 6.00M	155.40
	1500602299	ROOFHOUSING 8000 RAL9002 - 4.00M	103.40
	1500602300	ROOFHOUSING 8000 RAL9002 - 4.50M	116.40
	1500602301	ROOFHOUSING 8000 RAL9002 - 5.00M	129.40
	1500602302	ROOFHOUSING 8000 RAL9002 - 5.50M	142.40
	1500602303	ROOFHOUSING 8000 RAL9002 - 6.00M	155.40
14	1500602055	LEADRAIL 8000 - 3,50M	146.00
	1500600905	LEADRAIL 8000 - 4.00M	146.00
	1500600906	LEADRAIL 8000 - 4.50M	164.40
	1500600907	LEADRAIL 8000 - 5.00M	183.00
	1500600908	LEADRAIL 8000 - 5.50M	201.40
	1500600909	LEADRAIL 8000 - 6.00M	218.20
	1500602056	LEADRAIL 8000 ANO - 3,50M	146.00
	1500600925	LEADRAIL 8000 ANO - 4.00M	146.00
	1500600926	LEADRAIL 8000 ANO - 4.50M	164.40
	1500600927	LEADRAIL 8000 ANO - 5.00M	183.00
	1500600928	LEADRAIL 8000 ANO - 5.50M	201.40
	1500600929	LEADRAIL 8000 ANO - 6.00M	218.20
	1500602304	LEAD RAIL 8000 - 4,00M RAL9002	146.00
	1500602305	LEAD RAIL 8000 - 4,50M RAL9002	164.40
	1500602306	LEAD RAIL 8000 - 5,00M RAL9002	183.00
	1500602283	LEAD RAIL 8000 - 5,50M RAL9002	201.40
	1500602308	LEAD RAIL 8000 - 6,00M RAL9002	218.20
15	1500601129	REMOTE CONTROL 8000 220V	84.80
16	1500601207	HAND CRANK ASSY SHORT	36.20
17	1500601210	GEAR ASSY+COUPLING FUNNEL 8000	39.00
18	1500601249	LH ENDCAP MAINHOUSING 8000	8.20
	1500601250	LH ENDCAP MAINHOUSING 8000 ANO	21.80
	1500602286	LH ENDCAP MAINHOUSING 8000 RAL9002	21.80
19	1500601251	RH ENDCAP MAINHOUSING 8000	8.20
	1500601252	RH ENDCAP MAINHOUSING 8000 ANO	21.80
	1500602287	RH ENDCAP MAINHOUSING 8000 RAL9002	21.80
20	1500601254	LH+RH LEAD RAIL END PLATE 8000	7.80
	1500601255	LH+RH LEAD RAIL ENDPL.8000 ANO	20.60
	1500602288	LH+RH LEAD RAIL ENDPL.8000 RAL9002	20.60
21	1500601256	LH+RH SIDE CAP MH BOTTOM 8000	4.40
	1500601257	LH+RH SIDECAP MH BOTT.8000 ANO	12.20
22	1500601258	LH+RH ROLLER TUBE ASSY 8000	12.20
23	1500601260	LH ENDCAP MH 8000 220V	8.20
	1500601261	LH ENDCAP MH 8000 220V ANO	21.80
24	1500602059	L.H. SPRING ARM COMPL. 8000 ≥4,00M	166.20
	1500602057	L.H. SPRING ARM 8000 - 3,50M	160.80
25	1500601298	LH & RH GLIDING PIECES TENSION ARMS	18.20
26	1500602060	R.H.SPR.ARM COMPL. 8000 ≥4,00M	166.20
	1500602058	RH. SPRING ARM 8000 - 3,50M	160.80
27	1500601612	SUPPORT ARM V2 3.50M	56.80
	1500601312	SUPPORT ARM V2 LARGE	62.80
28	1500602342	ANTI RATTILING SUPPORT ARM	6.20
29	1500601789	CENTRAL CLAMP SUPPORT ARM V2	2.80
30	307924	220V MOTOR 8000 WHITE	292.00
	307925	220V MOTOR 8000 ANO	303.00
31	1500602404	CONNECTION PCS TENSION RAFTER 8000	6.20
32	1500602375	EMERGENCY HAND CRANK 8000	19.60
33	1500602391	LH END PLATE HOUSING 8000 12V	25.60
34	1500602327	SPRING ARM PROTECTION KIT 8000	6.20



**2013 SPARE PARTS LIST**  
6200

**THULE**  
SWEDEN

6VA602



THULE Omnistor 6200

6VA602-00

	ART.NR.	DESCRIPTION	RETAIL € (ex.VAT)	
1	1500602504	COVER HOUSING 6200 2,60M WHITE	87.40	
	1500602505	COVER HOUSING 6200 3,00M WHITE	101.00	
	1500602506	COVER HOUSING 6200 3,25M WHITE	117.60	
	1500602507	COVER HOUSING 6200 3,50M WHITE	117.60	
	1500602508	COVER HOUSING 6200 3,75M WHITE	135.40	
	1500602509	COVER HOUSING 6200 4,00M WHITE	135.40	
	1500602510	COVER HOUSING 6200 4,50M WHITE	158.60	
	1500602513	COVER HOUSING 6200 3,25M ANO	117.60	
	1500602514	COVER HOUSING 6200 3,50M ANO	117.60	
	1500602515	COVER HOUSING 6200 3,75M ANO	135.40	
	1500602516	COVER HOUSING 6200 4,00M ANO	135.40	
	1500602517	COVER HOUSING 6200 4,50M ANO	158.60	
	1500602518	COVER HOUSING 6200 3,25M ANTHR.	135.40	
	1500602519	COVER HOUSING 6200 3,50M ANTHR.	135.40	
	1500602520	COVER HOUSING 6200 3,75M ANTHR.	158.60	
	1500602521	COVER HOUSING 6200 4,00M ANTHR.	158.60	
	2	1500602522	BACK HOUSING 6200 2,60M	111.60
		1500602523	BACK HOUSING 6200 3,00M	130.80
		1500602524	BACK HOUSING 6200 3,25M	150.00
		1500602525	BACK HOUSING 6200 3,50M	150.00
		1500602526	BACK HOUSING 6200 3,75M	168.80
1500602527		BACK HOUSING 6200 4,00M	168.80	
1500602528		BACK HOUSING 6200 4,50M	183.00	
3	1500602529	LEAD RAIL 6200 2,60M WHITE	107.00	
	1500602530	LEAD RAIL 6200 3,00M WHITE	123.40	
	1500602531	LEAD RAIL 6200 3,25M WHITE	144.20	
	1500602532	LEAD RAIL 6200 3,50M WHITE	144.20	
	1500602533	LEAD RAIL 6200 3,75M WHITE	166.40	
	1500602534	LEAD RAIL 6200 4,00M WHITE	166.40	
	1500602535	LEAD RAIL 6200 4,50M WHITE	181.60	
	1500602538	LEAD RAIL 6200 3,25M ANO	144.20	
	1500602539	LEAD RAIL 6200 3,50M ANO	144.20	

	1500602540	LEAD RAIL 6200 3,75M ANO	166.40
	1500602541	LEAD RAIL 6200 4,00M ANO	166.40
	1500602542	LEAD RAIL 6200 4,50M ANO	181.60
	1500602543	LEAD RAIL 6200 3,25M ANTHR.	166.40
	1500602544	LEAD RAIL 6200 3,50M ANTHR.	166.40
	1500602545	LEAD RAIL 6200 3,75M ANTHR.	181.60
	1500602546	LEAD RAIL 6200 4,00M ANTHR.	181.60
4	1500602547	SUPPORT ROLLER TUBE 6200 2,60M	14.60
	1500602548	SUPPORT ROLLER TUBE 6200 3,00M	16.60
	1500602549	SUPPORT ROLLER TUBE 6200 3,25M	18.60
	1500602550	SUPPORT ROLLER TUBE 6200 3,50M	20.60
	1500602551	SUPPORT ROLLER TUBE 6200 3,75M	22.80
	1500602552	SUPPORT ROLLER TUBE 6200 4,00M	24.80
	1500602553	SUPPORT ROLLER TUBE 6200 4,50M	29.00
5	1500602554	ROLLER TUBE D=30 / 6200 2,60M	41.20
	1500602555	ROLLER TUBE D=30 / 6200 3.00M	47.00
	1500602556	ROLLER TUBE D=30 / 6200 3,25M	53.60
	1500602557	ROLLER TUBE D=30 / 6200 3,50M	53.60
	1500602558	ROLLER TUBE D=30 / 6200 3,75M	60.00
	1500602559	ROLLER TUBE D=30 / 6200 4.00M	60.00
	1500602560	ROLLER TUBE D=30 / 6200 4.50M	66.60
6	1500602561	FABRIC 2,60M 6200 03	181.00
	1500602562	FABRIC 2,60M 6200 04	181.00
	1500602563	FABRIC 2,60M 6200 22	181.00
	1500602564	FABRIC 2,60M 6200 31	181.00
	1500602565	FABRIC 2,60M 6200 32	181.00
	1500602566	FABRIC 3,00M 6200 03	201.40
	1500602567	FABRIC 3,00M 6200 04	201.40
	1500602568	FABRIC 3,00M 6200 22	201.40
	1500602569	FABRIC 3,00M 6200 31	201.40
	1500602570	FABRIC 3,00M 6200 32	201.40
	1500602571	FABRIC 3,25M 6200 03	224.00
	1500602572	FABRIC 3,25M 6200 04	224.00
	1500602573	FABRIC 3,25M 6200 22	224.00
	1500602574	FABRIC 3,25M 6200 31	224.00
	1500602575	FABRIC 3,25M 6200 32	224.00
	1500602576	FABRIC 3,50M 6200 03	224.00
	1500602577	FABRIC 3,50M 6200 04	224.00
	1500602578	FABRIC 3,50M 6200 22	224.00
	1500602579	FABRIC 3,50M 6200 31	224.00
	1500602580	FABRIC 3,50M 6200 32	224.00
	1500602581	FABRIC 3,75M 6200 03	246.60
	1500602582	FABRIC 3,75M 6200 04	246.60
	1500602583	FABRIC 3,75M 6200 22	246.60
	1500602584	FABRIC 3,75M 6200 31	246.60
	1500602585	FABRIC 3,75M 6200 32	246.60
	1500602586	FABRIC 4,00M 6200 03	246.60
	1500602587	FABRIC 4,00M 6200 04	246.60
	1500602588	FABRIC 4,00M 6200 22	246.60
	1500602589	FABRIC 4,00M 6200 31	246.60
	1500602590	FABRIC 4,00M 6200 32	246.60
	1500602591	FABRIC 4,50M 6200 03	266.00
	1500602592	FABRIC 4,50M 6200 04	266.00
	1500602593	FABRIC 4,50M 6200 22	266.00
	1500602594	FABRIC 4,50M 6200 31	266.00
	1500602595	FABRIC 4,50M 6200 32	266.00
7	1500602596	L.H. SPRING ARM 6200 2,60M	129.00
	1500602597	L.H. SPRING ARM 6200 3,0/4,5M	134.40
8	1500602598	R.H. SPRING ARM 6200 2,60M	129.00
	1500602599	R.H. SPRING ARM 6200 3,0/4,5M	134.40
9	1500601960	SUPPORT ARM V2 2.60M XL	62.80
	1500601611	SUPPORT ARM V2 3.00-3,25M	56.80
	1500601612	SUPPORT ARM V2 3.50-4.50M	56.80
10	1500602600	LH+RH ENDCAP LEADRAIL 6200 WHITE	10.40
	1500602601	LH+RH ENDCAP LEADRAIL 6200 ANO	10.40
	1500602602	LH+RH ENDCAP LEADRAIL 6200 ANTHR.	10.40

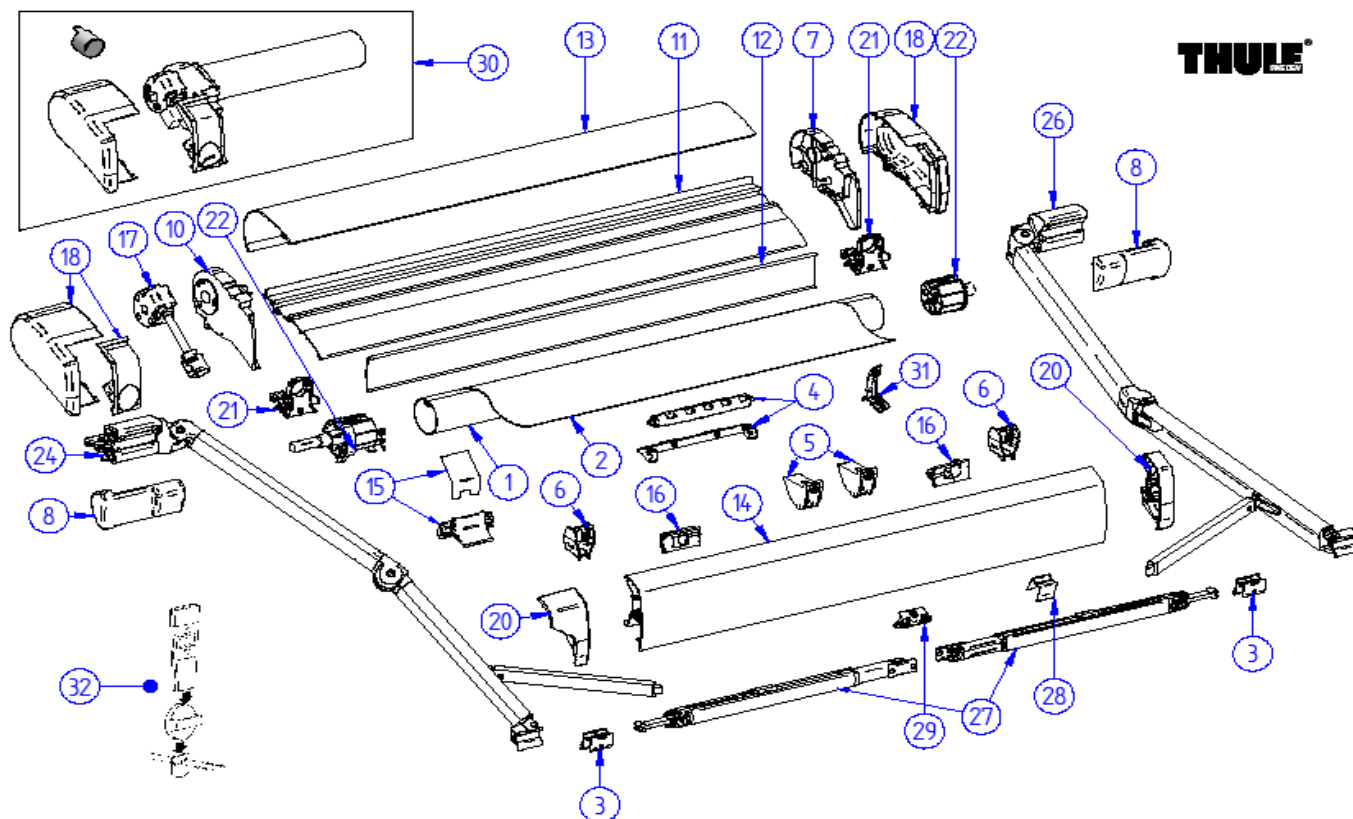
11	1500602603	LH+RH ENDCAP MAINHOUSING 6200 WHITE	14.60
	1500602604	LH+RH ENDCAP MAINHOUSING 6200 ANO	14.60
	1500602605	LH+RH ENDCAP MAINHOUSING 6200 ANTHR	14.60
12	1500602606	GEAR ASSY+COUPL.FUNN 6200	41.20
14	1500602607	LH+RH ENDPLATE ASSY 6200 WHITE	20.60
	1500602608	LH+RH ENDPLATE ASSY 6200 ANO	20.60
	1500602609	LH+RH ENDPLATE ASSY 6200 ANTHR	20.60
15	1500602610	HOUSING CON.PCE TENSION RAFTER 6200	6.20
16	1500602611	LH + RH ENDCAP ROLLER TUBE 6200	9.80
17	1500602612	LH + RH COVER SUPPORT SPRING ARM 6200	7.80
18	1500602613	SPRING & SUPPORT 6200	8.40
19	1500602614	CENTER SUPPORT ROLLER TUBE 6200	20.60
20	1500602615	CENTER POS. PCS TENSION RAFTER 6200	6.20
21	1500602616	INSERT LEAD RAIL 6200 2PC	6.20
22	1500602502	ANTI RATTILING SUPPORT ARM 6200/9200	6.20
23	1500601789	CENTRAL CLAMP SUPPORT ARM V2	2.80
24	1500601602	LH & RH CONNECTION SUPPORT ARM	3.20

# 2013 SPARE PARTS LIST

## 9200

**THULE**  
SWEDEN

6AC600

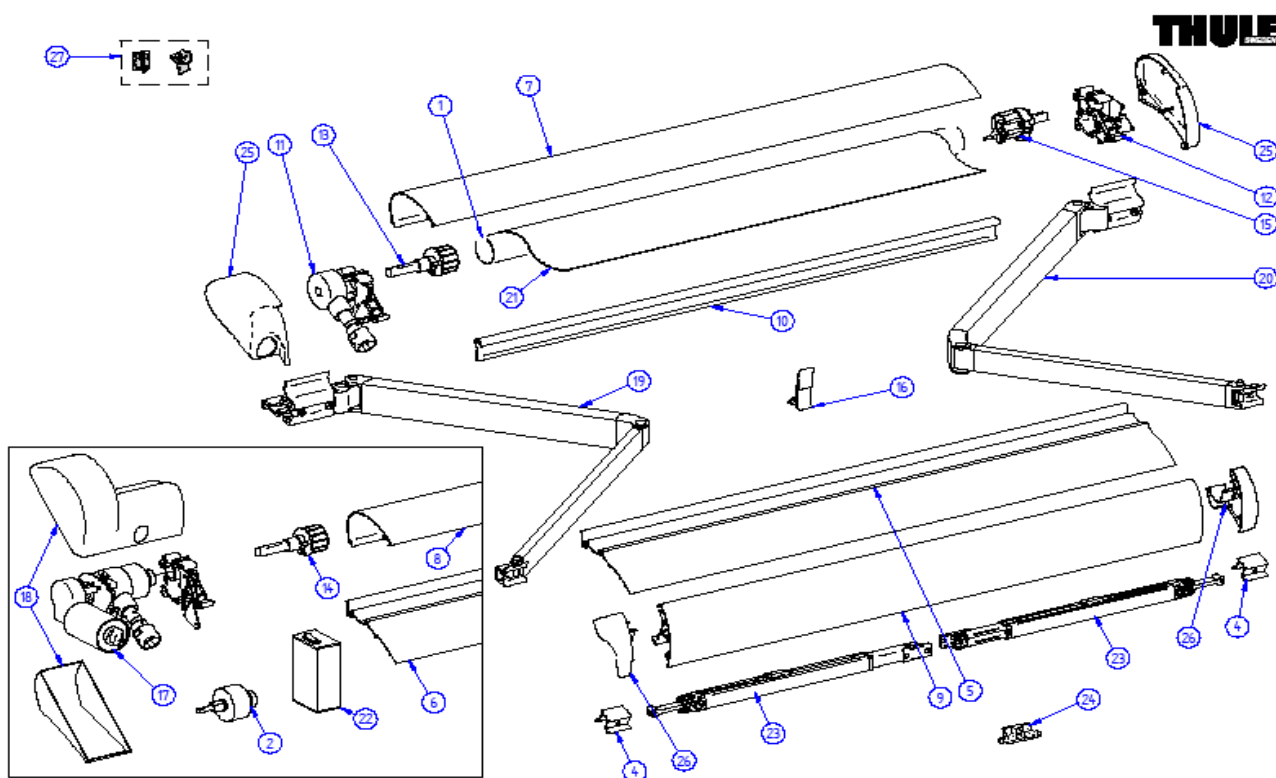


THULE Omnistor 9200

6AC 600-01

	ART.NR.	DESCRIPTION	RETAIL € (ex.VAT)
1	1500602617	ROLLER TUBE D=63 / 9200-4.00M	60.80
	1500602618	ROLLER TUBE D=63 / 9200-4.50M	67.60
	1500602417	ROLLER TUBE D=63 / 9200-5,00M	74.20
	1500602418	ROLLER TUBE D=63 / 9200-5,50M	81.00
	1500602419	ROLLER TUBE D=63 / 9200-6,00M	87.60
2	1500602420	FABRIC 4.00M 9200 03	298.80
	1500602421	FABRIC 4.00M 9200 04	298.80
	1500602422	FABRIC 4.00M 9200 22	298.80
	1500602423	FABRIC 4.00M 9200 31	298.80
	1500602424	FABRIC 4.00M 9200 32	298.80
	1500602425	FABRIC 4.50M 9200 03	325.60
	1500602426	FABRIC 4.50M 9200 04	325.60
	1500602427	FABRIC 4.50M 9200 22	325.60
	1500602428	FABRIC 4.50M 9200 31	325.60
	1500602429	FABRIC 4.50M 9200 32	325.60
	1500602430	FABRIC 5,00M 9200 03	353.40
	1500602431	FABRIC 5,00M 9200 04	353.40
	1500602432	FABRIC 5,00M 9200 22	353.40
	1500602433	FABRIC 5,00M 9200 31	353.40
	1500602434	FABRIC 5,00M 9200 32	353.40
	1500602435	FABRIC 5,50M 9200 03	380.20
	1500602436	FABRIC 5,50M 9200 04	380.20
	1500602437	FABRIC 5,50M 9200 22	380.20
	1500602438	FABRIC 5,50M 9200 31	380.20
	1500602439	FABRIC 5,50M 9200 32	380.20
	1500602440	FABRIC 6,00M 9200 03	408.00
	1500602441	FABRIC 6,00M 9200 04	408.00
	1500602442	FABRIC 6,00M 9200 22	408.00
	1500602443	FABRIC 6,00M 9200 31	408.00
	1500602444	FABRIC 6,00M 9200 32	408.00
3	1500601602	LH & RH CONNECTION SUPPORT ARM	3.20
4	1500602445	CENTER SUPPORT ROLLER TUBE 9200	20.60

5	1500602446	GLIDING ANGLE LEAD RAIL 9200	6.20
6	1500602447	INSERT LEAD RAIL 9200 2PC	6.20
7	1500602448	RH ENDPLATE ASSY 9200	24.80
8	1500602449	LH + RH COVER SUPPORT SPRING ARM 9200	8.40
10	1500602450	LH ENDPLATE ASSY 9200	24.80
11	1500602451	BACK HOUSING 9200 4,00M	201.20
	1500602452	BACK HOUSING 9200 4,50M	226.20
	1500602453	BACK HOUSING 9200 5,00M	251.40
	1500602454	BACK HOUSING 9200 5,50M	276.60
	1500602455	BACK HOUSING 9200 6,00M	298.80
12	1500602456	SUPPORT ROLLER TUBE 9200 4,00M	46.40
	1500602457	SUPPORT ROLLER TUBE 9200 4,50M	54.20
	1500602458	SUPPORT ROLLER TUBE 9200 5,00M	61.80
	1500602459	SUPPORT ROLLER TUBE 9200 5,50M	69.60
	1500602460	SUPPORT ROLLER TUBE 9200 6,00M	77.40
13	1500602461	COVER HOUSING 9200 4,00M WHITE	149.40
	1500602462	COVER HOUSING 9200 4,50M WHITE	170.00
	1500602463	COVER HOUSING 9200 5,00M WHITE	190.60
	1500602464	COVER HOUSING 9200 5,50M WHITE	211.20
	1500602465	COVER HOUSING 9200 6,00M WHITE	231.80
	1500602466	COVER HOUSING 9200 4,00M ANO	149.40
	1500602467	COVER HOUSING 9200 4,50M ANO	170.00
	1500602468	COVER HOUSING 9200 5,00M ANO	190.60
	1500602469	COVER HOUSING 9200 5,50M ANO	211.20
	1500602470	COVER HOUSING 9200 6,00M ANO	231.80
	1500602471	COVER HOUSING 9200 4,00M CREAM	149.40
	1500602472	COVER HOUSING 9200 4,50M CREAM	170.00
	1500602473	COVER HOUSING 9200 5,00M CREAM	190.60
	1500602474	COVER HOUSING 9200 5,50M CREAM	211.20
	1500602475	COVER HOUSING 9200 6,00M CREAM	231.80
14	1500602476	LEAD RAIL 9200 4.00M WHITE	185.40
	1500602477	LEAD RAIL 9200 4.50M WHITE	208.60
	1500602478	LEAD RAIL 9200 5.00M WHITE	231.80
	1500602479	LEAD RAIL 9200 5.50M WHITE	255.00
	1500602480	LEAD RAIL 9200 6.00M WHITE	278.20
	1500602481	LEAD RAIL 9200 4.00M ANO	185.40
	1500602482	LEAD RAIL 9200 4.50M ANO	208.60
	1500602483	LEAD RAIL 9200 5.00M ANO	231.80
	1500602484	LEAD RAIL 9200 5.50M ANO	255.00
	1500602485	LEAD RAIL 9200 6.00M ANO	278.20
	1500602486	LEAD RAIL 9200 4.00M CREAM	185.40
	1500602487	LEAD RAIL 9200 4.50M CREAM	208.60
	1500602488	LEAD RAIL 9200 5.00M CREAM	231.80
	1500602489	LEAD RAIL 9200 5.50M CREAM	255.00
	1500602490	LEAD RAIL 9200 6.00M CREAM	278.20
15	1500602491	SPRING & SUPPORT 9200	10.40
16	1500601298	LH & RH GLIDING PIECES TENSION ARMS	18.20
17	1500601210	GEAR ASSY+COUPL.FUNN 8000/9200	39.00
18	1500602492	LH+RH ENDCAP MAINHOUSING 9200 WHITE	16.60
	1500602493	LH+RH ENDCAP MAINHOUSING 9200 ANO	16.60
	1500602494	LH+RH ENDCAP MAINHOUSING 9200 CREAM	31.00
20	1500602495	LH+RH ENDCAP LEADRAIL 9200 WHITE	12.40
	1500602496	LH+RH ENDCAP LEADRAIL 9200 ANO	12.40
	1500602497	LH+RH ENDCAP LEADRAIL 9200 CREAM	12.40
21	1500602498	HOUSING CON.PCE TENSION RAFTER 9200	6.20
22	1500602499	LH + RH ENDCAP ROLLERTUBE 9200	25.80
24	1500602500	L.H. SPRING ARM 9200	195.80
26	1500602501	R.H. SPRING ARM 9200	195.80
27	1500601312	SUPPORT ARM V2 LARGE	62.80
28	1500602502	ANTI RATTLING SUPPORT ARM 6200/9200	6.20
29	1500601789	CENTRAL CLAMP SUPPORT ARM V2	2.80
30	306772	220V MOTORKIT 9200 WHITE	see price list
	306773	220V MOTORKIT 9200 ANO	see price list
	306774	220V MOTORKIT 9200 CREAM	see price list
31	1500602503	CENTER POS. PCS TENSION RAFTER 9200	6.20
32	1500601129	REMOTE CONTROL 8000/9200 220V	84.80



THULE Omnistor 6002

6T663

	ART.NR.	DESCRIPTION	RETAIL € (ex.VAT)
1	1500601876	ROLLER TUBE 48 6002 -2,6M	23.60
	1500601877	ROLLER TUBE 48 6002 -3,0M	26.80
	1500601878	ROLLER TUBE 48 6002 -3,25M	31.20
	1500601879	ROLLER TUBE 48 6002 -3,5M	31.20
	1500601880	ROLLER TUBE 48 6002 -3,75M	35.60
	1500602343	ROLLER TUBE 48 6002 -4,00M	35.60
2	1500601131	PLANET. GEAR REPL.KIT(DIN CON)	136.20
3	1500600115	HAND CRANK ASSY LONG	39.80
4	1500600741	CONN.SUPP.ARM S6	3.80
5	1500601881	BACK HOUSING 6002 - 2.60 M	111.60
	1500600953	BACK HOUSING 6002 - 3,00 M	130.80
	1500601754	BACK HOUSING 6002 - 3,25 M	150.00
	1500601729	BACK HOUSING 6002 - 3,50 M	150.00
	1500601882	BACK HOUSING 6002 - 3,75 M	168.80
	1500602329	BACK HOUSING 6002 - 4,00 M	168.80
6	1500601883	BACK HOUSING 6002/12V - 2.60 M	130.80
	1500601884	BACK HOUSING 6002/12V - 3,00 M	150.00
	1500601885	BACK HOUSING 6002/12V - 3,25 M	168.80
	1500601886	BACK HOUSING 6002/12V - 3,50 M	168.80
	1500601887	BACK HOUSING 6002/12V - 3,75 M	183.00
7	1500600954	COVER MAIN HOUSING 6002-2.60M	87.40
	1500600955	COVER MAIN HOUSING 6002-3.00M	101.00
	1500601748	COVER MAIN HOUSING 6002 3.25M	117.60
	1500600956	COVER MAIN HOUSING 6002-3.50M	117.60
	1500600957	COVER MAIN HOUSING 6002-3.75M	135.40
	1500602330	COVER MAIN HOUSING 6002-4.00M	135.40
	1500601907	COVER MAIN HOUSING 6002 - 3.25M ANTH	135.40
	1500601908	COVER MAIN HOUSING 6002 -3,50M ANTH	135.40
	1500601909	COVER MAIN HOUSING 6002 - 3,75M ANTH	158.80
	1500602331	COVER MAIN HOUSING 6002 -4,00M ANTH	158.80

# 2013 SPARE PARTS LIST



6002

6T663

	1500601687	COVER MAIN HOUSING 6002 - 3.25M ANO	117.20
	1500601911	COVER MAIN HOUSING 6002 -3,50M ANO	117.20
	1500601912	COVER MAIN HOUSING 6002 - 3,75M ANO	141.80
	1500602332	COVER MAIN HOUSING 6002-4 .00M ANO	141.80
8	1500601888	COVER MAIN HOUSING 6002/12V - 2.60 M	101.00
	1500601889	COVER MAIN HOUSING 6002/12V - 3,00 M	117.60
	1500601890	COVER MAIN HOUSING 6002/12V - 3,25 M	117.60
	1500601891	COVER MAIN HOUSING 6002/12V - 3,50 M	135.40
	1500601892	COVER MAIN HOUSING 6002/12V - 3,75 M	135.40
9	1500601893	LEAD RAIL 6002 - 2.60 M	106.80
	1500601894	LEAD RAIL 6002 - 3.00 M	123.40
	1500601762	LEAD RAIL 6002 - 3.25M	144.20
	1500600959	LEAD RAIL 6002 - 3.50M	144.20
	1500600960	LEAD RAIL 6002 - 3.75M	166.40
	1500602333	LEAD RAIL 6002 - 4.00 M	166.40
	1500601744	LEAD RAIL 6002 - 3.25M ANTH	166.40
	1500601910	LEAD RAIL 6002 - 3.50M ANTH	166.40
	1500601738	LEAD RAIL 6002 - 3.75M ANTH	181.80
	1500602334	LEAD RAIL 6002 - 4.00 M ANTH	181.80
	1500601913	LEAD RAIL 6002 - 3.25M ANO	144.20
	1500601014	LEAD RAIL 6002 - 3.50M ANO	144.20
	1500601015	LEAD RAIL 6002 - 3.75M ANO	166.40
	1500602335	LEAD RAIL 6002 - 4.00 M ANO	166.40
10	1500601895	SUPPORTING PROFILE 6002 2,60 M	32.20
	1500600961	SUPPORTING PROFILE 6002 3,00 M	32.20
	1500601896	SUPPORTING PROFILE 6002 3,25 M	44.20
	1500601897	SUPPORTING PROFILE 6002 3,50 M	44.20
	1500600962	SUPPORTING PROFILE 6002 3,75 M	44.20
	1500602336	SUPPORTING PROFILE 6002 4,00 M	50.40
11	1500600964	LH MAIN HOUSING END PLATE 6002	66.80
12	1500600965	RH MAIN HOUSING END PLATE 6002	17.00
13	1500600966	LH ROLLER TUBE ASSY M6002	6.00
14	1500600967	LH ROLLER TUBE ASSY 12V6002	6.00
15	1500600968	RH ROLLER TUBE ASSY 6002	9.40
16	1500600969	SUPPORT FABR.PROT.PROF. 6002	14.80
17	1500601716	LH DRIVING UNIT 12V6002	422.60
18	1500600973	MOTOR COVER ASSY 12V6002	29.60
19	1500602070	LH SPRING ARM ASSY 2.60M	129.00
	1500602072	LH SPRING ARM ASSY ≥3,00M	134.40
20	1500602071	RH SPRING ARM ASSY 2.60M	129.00
	1500602073	RH SPRING ARM ASSY ≥3,00M	134.40
21	1500600979	FABRIC 2.60M 6002 03	181.00
	1500600980	FABRIC 2.60M 6002 04	181.00
	1500600984	FABRIC 2.60M 6002 22 RAL 9002	181.00
	1500601898	FABRIC 6002 - 2.60M 31	181.00
	1500601899	FABRIC 6002 - 2.60M 32	181.00
	1500600986	FABRIC 3.00M 6002 03	201.40
	1500600987	FABRIC 3.00M 6002 04	201.40
	1500600992	FABRIC 3.00M 6002 22 RAL 9002	201.40
	1500601733	FABRIC 3.00M 6002 31	201.40
	1500601900	FABRIC 6002 - 3,00M 32	201.40
	1500601009	FABRIC 3.25M 6002 03	224.00
	1500601010	FABRIC 3.25M 6002 04	224.00
	1500601904	FABRIC 6002 - 3,25M 22 RAL 9002	224.00
	1500601905	FABRIC 6002 - 3,25 M 31	224.00
	1500601906	FABRIC 6002 - 3,25 M 32	224.00
	1500600994	FABRIC 3.50M 6002 03	224.00
	1500600995	FABRIC 3.50M 6002 04	224.00

# 2013 SPARE PARTS LIST



6002

6T663

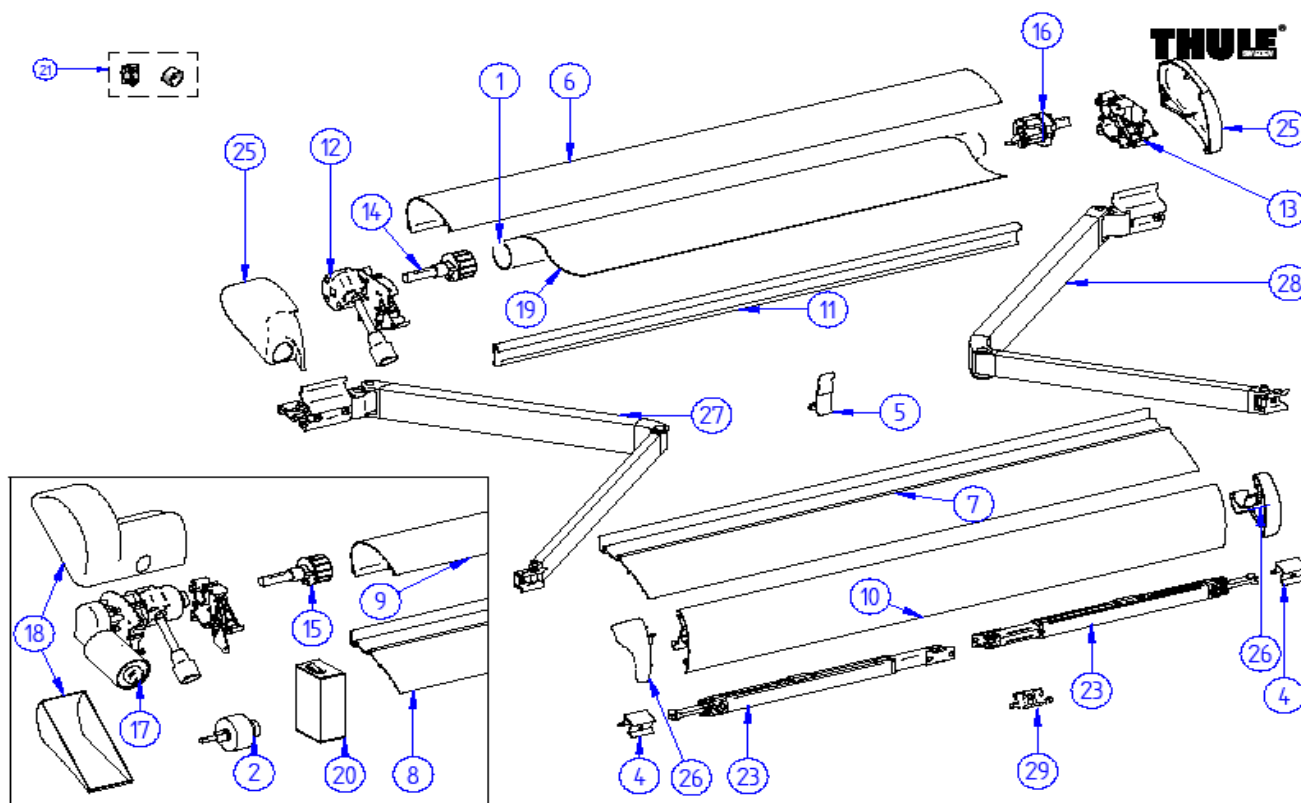
	1500601000	FABRIC 3.50M 6002 22 RAL 9002	224.00
	1500601901	FABRIC 6002 - 3,50 M 31	224.00
	1500601743	FABRIC 3.50M 6002 32	224.00
	1500601002	FABRIC 3.75M 6002 03	246.60
	1500601003	FABRIC 3.75M 6002 04	246.60
	1500601007	FABRIC 3.75M 6002 22 RAL 9002	246.60
	1500601902	FABRIC 6002 - 3,75 M 31	246.60
	1500601903	FABRIC 6002 - 3,75 M 32	246.60
	1500602337	FABRIC 4.00M 6002 03	246.60
	1500602338	FABRIC 4.00M 6002 04	246.60
	1500602339	FABRIC 4.00M 6002 22 RAL 9002	246.60
	1500602340	FABRIC 4.00M 6002 31	246.60
	1500602341	FABRIC 4.00M 6002 32	246.60
22	1500601128	ELECTR CONTR UNIT	182.60
23	1500601960	SUPPORT ARM V2 2.60M XL	62.80
	1500601611	SUPPORT ARM V2 3.00-3,25M	56.80
	1500601612	SUPPORT ARM V2 3.50-4.50M	56.80
24	1500601789	CENTRAL CLAMP SUPPORT ARM V2	2.80
25	1500601367	LH.+RH. SIDECAP 6002	13.00
	1500601369	L+R SIDECAP 6002-ANTHRACITE	32.80
	1500601371	L+R SIDECAP 6002-ANO	32.80
26	1500601368	LH+RH LEAD RAIL END PLATE 6002	7.40
	1500601370	L+R LEADRAIL ENDCAP 6002 ANTR.	26.00
	1500601372	L+R LEADRAIL ENDCAP 6002 - ANO	26.00
27	1500601158	CON.PCE TENSION RAFTER 6002	3.80
28	1500600975	CONNECTION LEAD RAIL LH+RH SERIES 6	21.40



**2013 SPARE PARTS LIST**  
6502 & 6900

**THULE**  
SWEDEN

6TM600



THULE Omnistor 6900

6TM 600-00

	ART.NR.	DESCRIPTION	RETAIL € (ex.VAT)
1	1500601798	ROLLER TUBE D70 4,00M	56.80
	1500601799	ROLLER TUBE D70 4,50M	64.20
	1500601800	ROLLER TUBE D70 5,00M	71.60
	1500601801	ROLLER TUBE D70 5,50M	79.00
2	1500601131	PLANET. GEAR REPL.KIT(DIN CON)	136.20
3	1500600115	HAND CRANK ASSY LONG	39.80
4	1500600741	CONN.SUPP. ARM S6	3.80
5	1500600969	SUPPORT FABR.PROT.PROF. 6002	14.80
6	1500601464	COVER MAIN HOUSING 6900 4.00M	149.00
	1500601018	COVER MAIN HOUSING 6900 4.50M	167.40
	1500601542	COVER MAIN HOUSING 6900 5.00M	186.00
	1500601783	COVER MAIN HOUSING 6900 5,50M	204.80
	1500601926	COVER MAIN HOUSING 6900 4.00M ANO	149.00
	1500601765	COVER MAIN HOUSING 6900 4.50M ANO	167.40
	1500601752	COVER MAIN HOUSING 6900 5.00M ANO	186.00
	1500601929	COVER MAIN HOUSING 6900 5,50M ANO	204.80
	1500602312	COVER MAIN HOUSING 6900 4,00 M RAL9002	149.00
	1500602313	COVER MAIN HOUSING 6900 4,50 M RAL9002	167.40
	1500602314	COVER MAIN HOUSING 6900 5,00 M RAL9002	186.00
	1500602315	COVER MAIN HOUSING 6900 5,50 M RAL9002	204.80
7	1500601016	BACK HOUSING 6900 4,00 M	201.20
	1500601930	BACK HOUSING 6900 4,50 M	226.20
	1500601931	BACK HOUSING 6900 5,00 M	251.40
	1500601932	BACK HOUSING 6900 5,50 M	276.60
8	1500601933	BACK HOUSING 6900 12V 4,00 M	226.20
	1500601017	BACK HOUSING 6900 12V 4,50 M	251.40
	1500601934	BACK HOUSING 6900 12V 5,00 M	276.60
	1500601935	BACK HOUSING 6900 12V 5,50 M	276.60
9	1500601936	COVER MAIN HOUSING 6900 12V 4.00M	167.40
	1500601937	COVER MAIN HOUSING 6900 12V 4.50M	186.00
	1500601019	COVER MAIN HOUSING 6900 12V 5.00M	204.80
	1500601938	COVER MAIN HOUSING 6900 12V 5,50M	204.80

# 2013 SPARE PARTS LIST

6502 & 6900



6TM600

	1500601939	COVER MAIN HOUSING 6900 12V 4.00M ANO	167.40
	1500601940	COVER MAIN HOUSING 6900 12V 4.50M ANO	186.00
	1500601941	COVER MAIN HOUSING 6900 12V 5.00M ANO	204.80
	1500601942	COVER MAIN HOUSING 6900 12V 5,50M ANO	204.80
	1500602316	COVER MAIN HOUS.6900/12V - 4,00 M RAL9002	167.40
	1500602317	COVER MAIN HOUS.6900/12V - 4,50 M RAL9002	186.00
	1500602318	COVER MAIN HOUS.6900/12V - 5,00 M RAL9002	204.80
	1500602319	COVER MAIN HOUS.6900/12V - 5,50 M RAL9002	204.80
10	1500601020	LEAD PROFILE 6900 4.00M	183.00
	1500601022	LEAD PROFILE 6900 4.50M	206.00
	1500601024	LEAD PROFILE 6900 5,00M	228.60
	1500601025	LEAD PROFILE 6900 5,50M	251.60
	1500601021	LEAD PROFILE 6900 4.00M ANO	183.00
	1500601023	LEAD PROFILE 6900 4.50M ANO	206.00
	1500601027	LEAD PROFILE 6900 5,00M ANO	228.60
	1500601684	LEAD PROFILE 6900 5,50M ANO	251.60
	1500602320	LEAD RAIL 6900 - 4,00 M RAL9002	183.00
	1500602321	LEAD RAIL 6900 - 4,50 M RAL9002	206.00
	1500602322	LEAD RAIL 6900 - 5,00 M RAL9002	228.60
	1500602323	LEAD RAIL 6900 - 5,50 M RAL9002	251.60
11	1500601026	SUPPORTING PROF. 6900 4,00M	42.80
	1500601943	SUPPORTING PROF. 6900 4,50M	53.60
	1500601944	SUPPORTING PROF. 6900 5,00M	53.60
	1500601945	SUPPORTING PROF. 6900 5,50M	58.80
12	1500601028	LH SIDEPL.+GEAR ASSY 6900	66.80
13	1500601029	RH SIDEPLATE ASSY 6900	27.80
14	1500601030	LH ROL.TUBE END CAP D63 ASSY 6900	21.80
	1500602065	L.H.+R.H. ENDCAP ROLLER TUBE D70 6900	25.80
15	1500601539	LH ROL TUBE END CAP D63 12V 6900	21.80
16	1500601032	RH ROLLER TUBE D63 ASSY 6900	44.80
	1500602065	L.H.+R.H. ENDCAP ROLLER TUBE D70 6900	25.80
17	1500601036	LH SIDEPL.+ MOTOR 12V 6900	422.60
18	1500601037	MOTORCAP 6900 12V (2PCS)	29.60
	1500602047	MOTORCAP 6900 ANO (2PCS)	51.60
19	1500601096	FABRIC 4.00M 6900 03	271.20
	1500601097	FABRIC 4.00M 6900 04	271.20
	1500601101	FABRIC 4.00M 6900 22 RAL 9002	271.20
	1500601946	FABRIC 4.00M 6900 31	271.20
	1500601947	FABRIC 4.00M 6900 32	271.20
	1500601103	FABRIC 4.50M 6900 03	296.20
	1500601104	FABRIC 4.50M 6900 04	296.20
	1500601108	FABRIC 4.50M 6900 22 RAL 9002	296.20
	1500601948	FABRIC 4.50M 6900 31	296.20
	1500601949	FABRIC 4.50M 6900 32	296.20
	1500601110	FABRIC 5.00M 6900 03	321.00
	1500601111	FABRIC 5.00M 6900 04	321.00
	1500601115	FABRIC 5.00M 6900 22 RAL 9002	321.00
	1500601950	FABRIC 5.00M 6900 31	321.00
	1500601951	FABRIC 5.00M 6900 32	321.00
	1500601117	FABRIC 5.50M 6900 03	345.80
	1500601118	FABRIC 5.50M 6900 04	345.80
	1500601122	FABRIC 5.50M 6900 22 RAL 9002	345.80
	1500601952	FABRIC 5.50M 6900 31	345.80
	1500601953	FABRIC 5.50M 6900 32	345.80
20	1500601128	ELECTR CONTR UNIT SERIE 5&6	182.60
21	1500601159	CONNECTION PIECE TR 6502/6900	3.80
22	1500600975	CONNECTION LEAD RAIL LH+RH SERIES 6	21.40
23	1500601312	SUPPORT ARM V2 LARGE	62.80
25	1500601373	LH & RH SIDECAP 6900	11.20
	1500601375	LH & RH SIDECAP 6900 ANO	35.80
	1500602309	LH & RH SIDECAP 6900 RAL9002	35.80
26	1500601374	LH&RH LEADRAIL ENDCAP 6900	7.40

## 2013 SPARE PARTS LIST

**THULE**  
SWEDEN

6502 & 6900

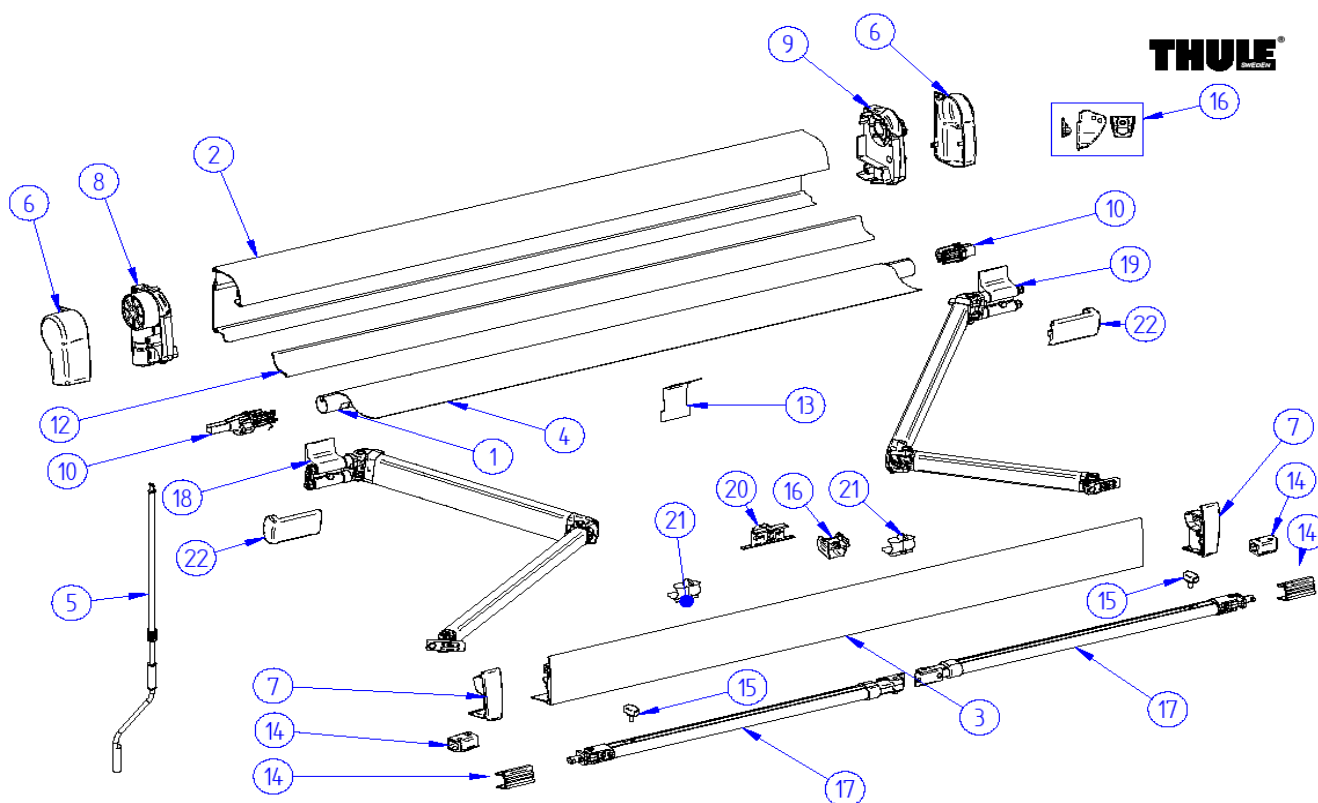
6TM600

	1500601376	LH&RH LEADRAIL ENDCAP 6900 ANO	23.20
	1500602310	LH&RH LEADRAIL ENDCAP 6900 RAL9002	23.20
27	1500602068	L.H. SPRING ARM COMPL. 6900	139.40
28	1500602069	R.H. SPRING ARM COMPL. 6900	139.40
29	1500601789	CENTRAL CLAMP SUPPORT ARM V2	2.80

# 2013 SPARE PARTS LIST TRISTOR<sup>2</sup>

**THULE**  
SWEDEN

4AY602-02



THULE Omnistor 4900

4AY602-02

	ART.NR.	DESCRIPTION	RETAIL € (ex.VAT)	
1	1500602186	ROLLER TUBE D=30X0.8MM / TRISTOR <sup>2</sup> -3.00M	47.00	
	1500602187	ROLLER TUBE D=30X0.8MM / TRISTOR <sup>2</sup> -3.50M	53.60	
	1500602188	ROLLER TUBE D=30X0.8MM / TRISTOR <sup>2</sup> -4.00M	60.00	
	1500602189	ROLLER TUBE D=30X0.8MM / TRISTOR <sup>2</sup> -4.50M	66.60	
2	1500602190	MAINHOUSING TRISTOR <sup>2</sup> 3M00 WHITE	129.80	
	1500602191	MAINHOUSING TRISTOR <sup>2</sup> 3M50 WHITE	144.80	
	1500602192	MAINHOUSING TRISTOR <sup>2</sup> 4M00 WHITE	172.60	
	1500602193	MAINHOUSING TRISTOR <sup>2</sup> 4M50 WHITE	187.60	
	1500602198	MAINHOUSING TRISTOR <sup>2</sup> 3M00 ANO	129.80	
	1500602199	MAINHOUSING TRISTOR <sup>2</sup> 3M50 ANO	144.80	
	1500602200	MAINHOUSING TRISTOR <sup>2</sup> 4M00 ANO	172.60	
	1500602201	MAINHOUSING TRISTOR <sup>2</sup> 4M50 ANO	187.60	
	3	1500602194	LEADRAIL TRISTOR <sup>2</sup> 3M00 WHITE	93.60
		1500602195	LEADRAIL TRISTOR <sup>2</sup> 3M50 WHITE	107.80
1500602196		LEADRAIL TRISTOR <sup>2</sup> 4M00 WHITE	122.80	
1500602197		LEADRAIL TRISTOR <sup>2</sup> 4M50 WHITE	124.60	
1500602248		LEADRAIL TRISTOR <sup>2</sup> 3M00 ANO	93.60	
1500602249		LEADRAIL TRISTOR <sup>2</sup> 3M50 ANO	107.80	
1500602250		LEADRAIL TRISTOR <sup>2</sup> 4M00 ANO	122.80	
1500602251		LEADRAIL TRISTOR <sup>2</sup> 4M50 ANO	124.60	
4		1500602236	FABRIC 3M00 TRISTOR <sup>2</sup> GREY	201.40
		1500602237	FABRIC 3M00 TRISTOR <sup>2</sup> BLUE	201.40
	1500602238	FABRIC 3M50 TRISTOR <sup>2</sup> GREY	224.00	
	1500602239	FABRIC 3M50 TRISTOR <sup>2</sup> BLUE	224.00	
	1500602240	FABRIC 4M00 TRISTOR <sup>2</sup> GREY	246.60	
	1500602241	FABRIC 4M00 TRISTOR <sup>2</sup> BLUE	246.60	
	1500602242	FABRIC 4M50 TRISTOR <sup>2</sup> GREY	266.00	
1500602243	FABRIC 4M50 TRISTOR <sup>2</sup> BLUE	266.00		
5	1500602210	HAND CRANK SMALL G2	36.20	
6	1500602211	LH + RH ENDCAP MAINHOUSING TRISTOR <sup>2</sup> WHITE	12.00	
	1500602212	LH + RH ENDCAP MAINHOUSING TRISTOR <sup>2</sup> ANO	12.00	
7	1500602213	LH + RH ENDCAP LEADRAIL TRISTOR <sup>2</sup> WHITE	9.80	

**2013 SPARE PARTS LIST**  
**TRISTOR<sup>2</sup>**

**THULE**  
SWEDEN

4AY602-02

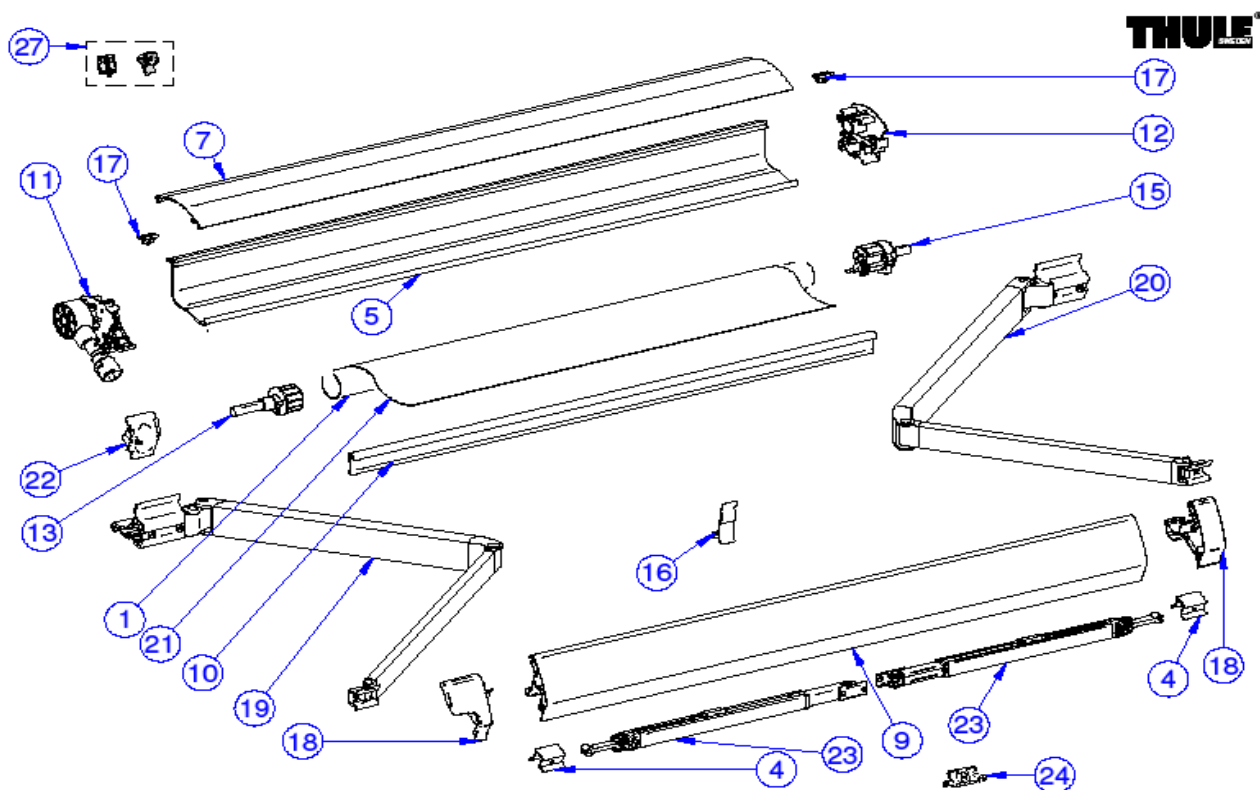
	1500602214	LH + RH ENDCAP LEADRAIL TRISTOR <sup>2</sup> ANO	9.80
8	1500602215	LH ENDPLATE ASSY TRISTOR <sup>2</sup> WHITE	38.80
	1500602216	LH ENDPLATE ASSY TRISTOR <sup>2</sup> ANO	38.80
9	1500602217	RH ENDPLATE ASSY TRISTOR <sup>2</sup> WHITE	12.00
	1500602218	RH ENDPLATE ASSY TRISTOR <sup>2</sup> ANO	12.00
10	1500602219	LH + RH ENDCAP ROLLERTUBE TRISTOR <sup>2</sup>	9.60
12	1500602284	SUPPORT ROLLER TUBE 4900 3M00	12.00
	1500602285	SUPPORT ROLLER TUBE 4900 3M50	13.20
	1500602221	SUPPORT ROLLER TUBE TRISTOR <sup>2</sup> 4M00	14.60
	1500602222	SUPPORT ROLLER TUBE TRISTOR <sup>2</sup> 4M50	15.80
13	1500602223	SPRING SUPPORT ROLLER TUBE TRISTOR <sup>2</sup>	5.80
14	1500602224	CONNECTION SUPPORT ARM TRISTOR <sup>2</sup>	15.00
15	1500602225	KNOB SUPPORT ARM OVAL (2PCS)	7.40
16	1500602226	CONNECTION PCS TENSION RAFTER 4900	5.40
17	1500602227	SUPPORT LEG OVAL 3M00	42.40
	1500602228	SUPPORT LEG OVAL 3M50-4M50	49.60
18	1500602244	L.H. SPRING ARM TRISTOR <sup>2</sup> 3,0/3,5M	112.60
	1500602245	L.H. SPRING ARM TRISTOR <sup>2</sup> 4,0/4,5M	112.60
19	1500602246	R.H. SPRING ARM TRISTOR <sup>2</sup> 3,0/3,5M	112.60
	1500602247	R.H. SPRING ARM TRISTOR <sup>2</sup> 4,0/4,5M	112.60
20	1500602233	CENTRAL CLAMP SUPPORT ARM OVAL	3.20
21	1500602233	CLIP SUPPORT ARM OVAL TRISTOR <sup>2</sup>	3.20
22	1500602235	LH + RH COVER SPRING ARM BR. TRISTOR <sup>2</sup>	5.40

# 2013 SPARE PARTS LIST

## 6002 HOBBY

**THULE**  
SWEDEN

6T664



THULE Omnistor Hobby Integrated

6T664

	ART.NR.	DESCRIPTION	RETAIL € (ex.VAT)
1	1500601876	ROLLER TUBE 48 6002 -2,60M	23.60
	1500602111	ROLLER TUBE 48 6002 -2,80M	31.20
	1500601878	ROLLER TUBE 48 6002 -3,25M	31.20
	1500601879	ROLLER TUBE 48 6002 -3,50M	31.20
	1500601848	ROLLER TUBE 48 6002 -4,00M	35.60
	1500602112	ROLLER TUBE 48 6002 -4,10M	43.60
3	1500600115	HAND CRANK ASSY LONG	39.80
4	1500600741	CONN.SUPP.ARM S6	3.80
5	1500602113	BACK HOUSING 6002 HOBBY - 2.60 M	111.60
	1500602114	BACK HOUSING 6002 HOBBY - 2.80 M	130.80
	1500602115	BACK HOUSING 6002 HOBBY - 3,25 M	150.00
	1500602116	BACK HOUSING 6002 HOBBY - 3,50 M	150.00
	1500602117	BACK HOUSING 6002 HOBBY - 4,00 M	183.00
	1500602118	BACK HOUSING 6002 HOBBY - 4,10 M	183.00
7	1500602119	COVER HOUSING 6002 HOBBY - 2.60 M FFW	87.40
	1500602120	COVER HOUSING 6002 HOBBY - 2.80 M FFW	101.00
	1500602121	COVER HOUSING 6002 HOBBY - 3,25 M FFW	117.20
	1500602122	COVER HOUSING 6002 HOBBY - 3,50 M FFW	117.20
	1500602123	COVER HOUSING 6002 HOBBY - 2.80 M DW	101.00
	1500602124	COVER HOUSING 6002 HOBBY - 3,50 M DW	117.20
	1500602125	COVER HOUSING 6002 HOBBY - 4,00 M DW	135.40
	1500602126	COVER HOUSING 6002 HOBBY - 4,10 M DW	135.40
9	1500602127	LEAD RAIL 6002 - 2.60 M FFW	145.80
	1500602128	LEAD RAIL 6002 - 2.80 M FFW	145.80
	1500602129	LEAD RAIL 6002 - 3,25 M FFW	179.00
	1500602130	LEAD RAIL 6002 - 3,50 M FFW	179.00
	1500602131	LEAD RAIL 6002 - 2.80 M DW	145.80
	1500602132	LEAD RAIL 6002 - 3,50 M DW	209.00
	1500602133	LEAD RAIL 6002 - 4,00 M DW	209.00
	1500602134	LEAD RAIL 6002 - 4,10 M DW	209.00
10	1500601895	SUPPORTING PROFILE 6002 2,60 M	32.20
	1500602135	SUPPORTING PROFILE 6002 2,80 M	32.20

**2013 SPARE PARTS LIST****6002 HOBBY****6T664**

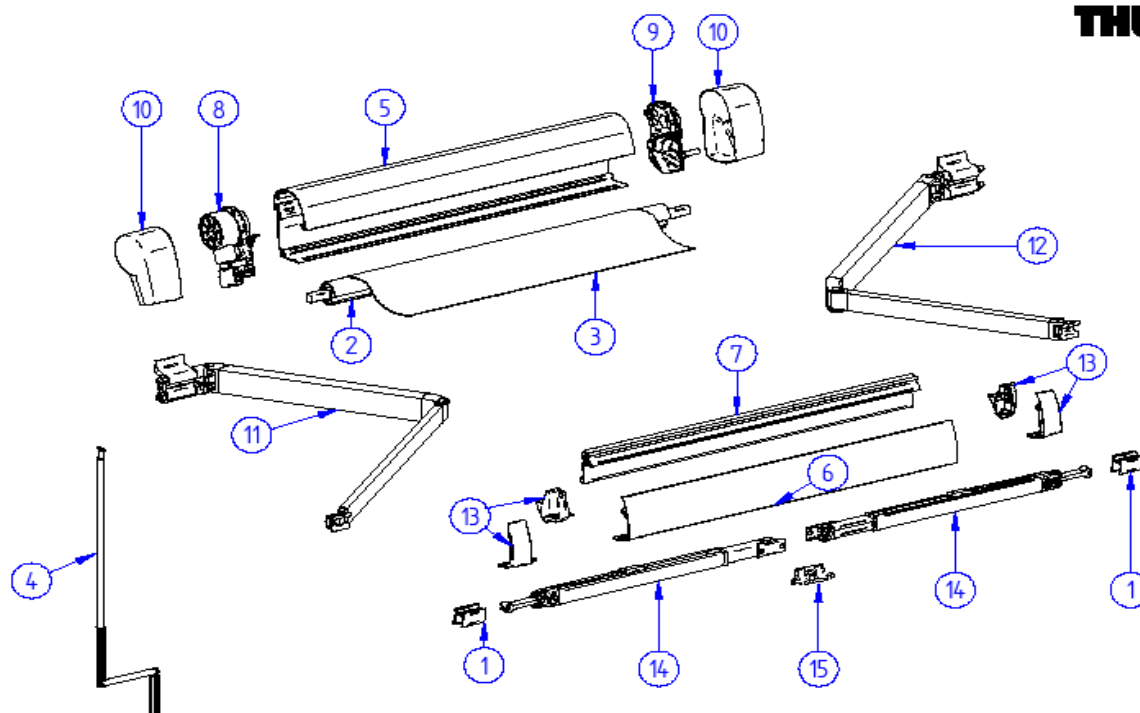
	1500601896	SUPPORTING PROFILE 6002 3,25 M	44.20
	1500601897	SUPPORTING PROFILE 6002 3,50 M	44.20
	1500602136	SUPPORTING PROFILE 6002 4,00 M	50.40
	1500602137	SUPPORTING PROFILE 6002 4,10 M	50.40
11	1500602138	LH MAIN HOUSING END PLATE 6002 HOBBY	66.80
12	1500602139	RH MAIN HOUSING END PLATE 6002 HOBBY	25.20
13	1500600966	LH ROLLER TUBE ASSY 6002	6.00
15	1500600968	RH ROLLER TUBE ASSY 6002	9.40
16	1500600969	SUPPORT FABR.PROT.PROF. 6002	14.80
17	1500602145	FIXATION PIECE COVER (2PCS)	6.60
18	1500602146	LH + RH LEAD RAIL END PLATE 6002 HOBBY	14.00
19	1500602070	LH SPRING ARM ASSY 2.60M	129.00
	1500602143	LH SPRING ARM ASSY 2.80M	134.40
	1500602072	LH SPRING ARM ASSY ≥3,00M	134.40
20	1500602071	RH SPRING ARM ASSY 2.60M	129.00
	1500602144	RH SPRING ARM ASSY 2.80M	134.40
	1500602073	RH SPRING ARM ASSY ≥3,00M	134.40
21	1500600980	FABRIC 6002 - 2.60 M 04	181.00
	1500602140	FABRIC 6002 - 2.80 M 04	201.40
	1500601010	FABRIC 6002 - 3,25 M 04	224.00
	1500600995	FABRIC 6002 - 3,50 M 04	224.00
	1500602141	FABRIC 6002 - 4,00 M 04	246.60
	1500602142	FABRIC 6002 - 4,10 M 04	246.60
22	1500602147	COVER GEAR 6002 HOBBY	6.60
23	1500601960	SUPPORT ARM V2 2.60M XL	62.80
	1500601961	SUPPORT ARM V2 2.80M XL	62.80
	1500601611	SUPPORT ARM V2 3.00-3,25M	56.80
	1500601612	SUPPORT ARM V2 3.50-4.50M	56.80
24	1500601789	CENTRAL CLAMP SUPPORT ARM V2	2.80
27	1500601158	CON.PCE TENSION RAFTER 6002	3.80

**2013 SPARE PARTS LIST**  
**VW CALIFORNIA**

**THULE**  
SWEDEN

VW606

**THULE**  
TRUCKS



THULE Omnistor 5102/VW

VW 606-00

	ART.NR.	DESCRIPTION	RETAIL € (ex.VAT)
1	1500600296	CONNECT. SUPP. ARM V97 SERIE 5	3.80
2	1500601954	ROLLER TUBE ASSY 5102 2.6M	77.40
3	1500602356	FABRIC 2.60M VW T5 SILVER GREY	181.00
4	1500601124	HANDCRANK VW T5 + 5102	32.20
5	1500601689	MAIN HOUSING VW T5 RAL9006	138.80
	1500602357	MAIN HOUSING VW T5 RAL9011	138.80
6	1500601955	OUTSIDE LEAD RAIL VW T5 RAL9006	54.80
	1500602358	OUTSIDE LEAD RAIL VW T5 RAL9011	54.80
7	1500601956	INSIDE LEAD RAIL VW T5 RAL9006	55.20
	1500602359	INSIDE LEAD RAIL VW T5 RAL9011	55.20
8	1500601201	LH ENDPLATE + GEAR ASSY VW T5	53.40
9	1500601202	RH ENDPLATE MH VW T5	14.60
10	1500601203	LH+RH SIDECAP ASSY RAL9006	14.60
	1500601204	LH+RH SIDECAP ASSY RAL9011	14.60
11	1500602103	LH SPRINGARM COMPL 5102	129.00
12	1500602104	RH SPRINGARM COMPL 5102	129.00
13	1500601206	LH+RH LEAD RAIL END PLATE ASSY RAL9006	8.60
	1500601741	LH+RH LEAD RAIL END PLATE ASSY RAL9011	8.60
14	1500601960	SUPPORT ARM V2 2.60M XL	62.80
15	1500601789	CENTRAL CLAMP SUPPORT ARM V2	2.80

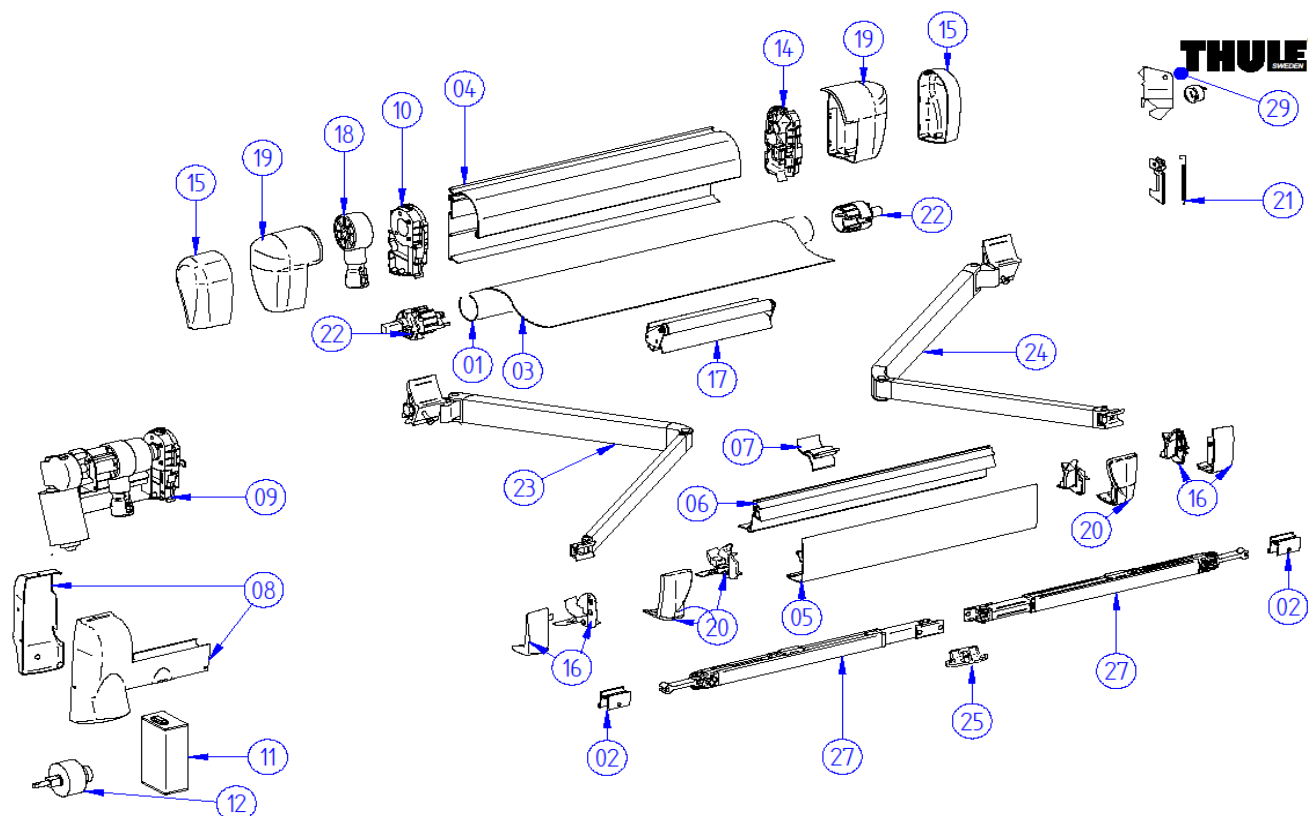


# 2013 SPARE PARTS LIST

## 5002

**THULE**  
SWEDEN

5AM615



THULE Omnistor 5002

SAM 615

	ART.NR.	DESCRIPTION	RETAIL € (ex.VAT)	
1	1500601790	ROLLER TUBE 48 5002/5003 -1.9M	17.40	
	1500601791	ROLLER TUBE 48 5002/5003 -2.3M	21.00	
	1500601792	ROLLER TUBE 48 5002/5003 -2.6M	23.60	
	1500601793	ROLLER TUBE 48 5002/5003 -3.0M	26.80	
	1500601794	ROLLER TUBE 48 5002/5003 -3.5M	31.20	
	1500601803	ROLLER TUBE 48 5002 -4.0M	35.60	
	1500601835	ROLLER TUBE 48 5002/OTD -1.4M	17.40	
	2	1500601602	LH+RH CONN SUPPORT ARM 5002/5003	3.20
		1500600769	FABRIC 1.40M OTD 03	94.40
	3	1500600770	FABRIC 1.40M OTD 04	94.40
1500600774		FABRIC 1.40M OTD 22 RAL 9002	94.40	
1500600776		FABRIC 1.90M 5002 03	115.40	
1500600777		FABRIC 1.90M 5002 04	115.40	
1500600781		FABRIC 1.90M 5002 22 RAL 9002	115.40	
1500600783		FABRIC 2.30M 5002 03	160.60	
1500600784		FABRIC 2.30M 5002 04	160.60	
1500600788		FABRIC 2.30M 5002 22 RAL 9002	160.60	
1500600790		FABRIC 2.60M 5002 03	181.00	
1500600791		FABRIC 2.60M 5002 04	181.00	
1500600795		FABRIC 2.60M 5002 22 RAL 9002	181.00	
1500600798		FABRIC 3.00M 5002 03	201.40	
1500600799		FABRIC 3.00M 5002 04	201.40	
1500600805		FABRIC 3.00M 5002 22 RAL 9002	201.40	
1500600809		FABRIC 3.50M 5002 03	224.00	
1500600810		FABRIC 3.50M 5002 04	224.00	
1500600816		FABRIC 3.50M 5002 22 RAL 9002	224.00	
1500600820		FABRIC 4.00M 5002 03	246.60	
1500600821		FABRIC 4.00M 5002 04	246.60	
1500600827		FABRIC 4.00M 5002 22 RAL 9002	246.60	
4	1500601836	MAIN HOUSING 5002 1.40 M	75.20	
	1500601837	MAIN HOUSING 5002 1.90 M	86.60	
	1500601838	MAIN HOUSING 5002 2.30 M	114.60	

# 2013 SPARE PARTS LIST



5002

5AM615

	1500601839	MAIN HOUSING 5002 2.60 M	126.20
	1500600831	MAIN HOUSING 5002 3,00 M	146.40
	1500600832	MAIN HOUSING 5002 3,50 M	171.40
	1500600833	MAIN HOUSING 5002 4,00 M	197.40
	1500601750	MAIN HOUSING 5002 3.00M ANO	146.40
	1500601471	MAIN HOUSING 5002 3.50M ANO	171.40
	1500600835	MAIN HOUSING 5002 4.00M ANO	197.40
	1500601840	MAIN HOUSING 5002/12V 2.60 M	146.40
	1500601841	MAIN HOUSING 5002/12V 3,00 M	171.40
	1500601842	MAIN HOUSING 5002/12V 3,50 M	197.40
	1500600834	MAIN HOUSING 5002/12V 4,00 M	197.40
5	1500601849	LEAD RAIL OTD 1.40 M	60.60
	1500601843	COVER LEAD PROFILE 5002 1,90M	39.00
	1500600836	COVER LEAD PROFILE 5002 2,30M	44.40
	1500600837	COVER LEAD PROFILE 5002 2,60M	52.40
	1500600838	COVER LEAD PROFILE 5002 3,00M	57.80
	1500600840	COVER LEAD PROFILE 5002 3,50M	67.60
	1500600842	COVER LEAD PROFILE 5002 4,00M	77.60
	1500600839	COVER LEAD PROFILE 5002 3,00M ANO	57.80
	1500600841	COVER LEAD PROFILE 5002 3,50M ANO	67.60
	1500600843	COVER LEAD PROFILE 5002 4,00M ANO	77.60
6	1500601844	INS.LEAD PROF.5002 1,90M	39.40
	1500601845	INS.LEAD PROF.5002 2,30M	44.80
	1500601846	INS.LEAD PROF.5002 2,60M	50.20
	1500601847	INS.LEAD PROF.5002 3,00M	58.40
	1500600845	INS.LEAD PROF.5002 3.50M	68.20
	1500600847	INS.LEAD PROF.5002 4,00M	78.20
	1500600844	INS.LEAD PROF. 5002 3.00M ANO	58.40
	1500600846	INS.LEAD PROF. 5002 3.50M ANO	68.20
	1500600848	INS.LEAD PROF. 5002 4.00M ANO	78.20
7	1500600853	GLID.ANGLE LEAD PR. - L=40MM	5.40
8	1500600855	END CAP SET 12V 5002	48.40
	1500600856	ENDCAP SET 12V 5002 RAL9006	74.20
	1500601850	L.H. + R.H. SIDECAPS OTD-12V	48.40
9	1500600864	LH END PLATE ASSY 12V MOTOR - 5002	422.60
	1500600889	LH END PLATE ASSY 5002 OTD 12V	256.00
10	1500600888	LH END PLATE ASSY 5002 OTD	14.60
	1500601214	LH END PLATE ASSY + LOCK 5002	14.60
11	1500601128	ELECTR CONTR UNIT	182.60
12	1500601131	PLANET. GEAR REPL.KIT (DIN CON)	136.20
13	1500601207	HAND CRANK V97	36.20
14	1500601213	RH.END PLATE ASSY + LOCK 5002	13.20
15	1500601215	LH+RH SIDECAP ASSY 5002	12.60
16	1500601216	LH+RH LEAD RAIL END PLATE 5002	7.20
17	1500601220	ROLLER TUBE SUPPORT 4M 5002	20.20
18	1500601221	GEAR ASSY+COUPL.FUNN 5002	39.00
19	1500601226	LH+RH SIDECAP ASSY 5002 V05	12.60
	1500601227	L+R SIDECAP 5002 V05 RAL9006	32.40
20	1500601228	LH+RH LEADR. ENDPLATE 5002 V05	8.60
	1500601229	L+R ENDCAP RAIL 5002 V05 R9006	27.20
21	1500601237	LH + RH LOCK ASSY 5000	7.40
22	1500601267	ROLLER TUBE ASSY L/R SER 5 & 6 D 48	13.40
23	1500602083	L.H. SPRING ARM COMPL. 5002 - 1,90M	119.00
	1500602085	L.H. SPRING ARM COMPL. 5002 - 2,30M	126.60
	1500602087	L.H. SPRING ARM COMPL. 5002 - 2,60M	129.00
	1500602089	L.H. SPRING ARM COMPL. 5002 ≥3,00M	134.40
24	1500602084	R.H. SPRING ARM COMPL. 5002 - 1,90M	119.00
	1500602086	R.H. SPRING ARM COMPL. 5002 - 2,30M	126.60
	1500602088	R.H. SPRING ARM COMPL. 5002 - 2,60M	129.00
	1500602090	R.H. SPRING ARM COMPL. 5002 ≥3,00M	134.40
25	1500601789	CENTRAL CLAMP SUPPORT LEG V2	2.80
26	1500601219	LH+RH CONN.LEAD RAIL 5002	21.40

## 2013 SPARE PARTS LIST

**THULE**  
SWEDEN

5002

5AM615

27	1500601588	SUPPORT ARM V2 1.90M	62.80
	1500601609	SUPPORT ARM V2 2,30M	62.80
	1500601960	SUPPORT ARM V2 2,60M XL	62.80
	1500601611	SUPPORT ARM V2 3,00M	56.80
	1500601612	SUPPORT ARM V2 3,50-4,50M	56.80
29	1500601163	CONNECTION PIECES TENSION RAFTER 5002	5.60

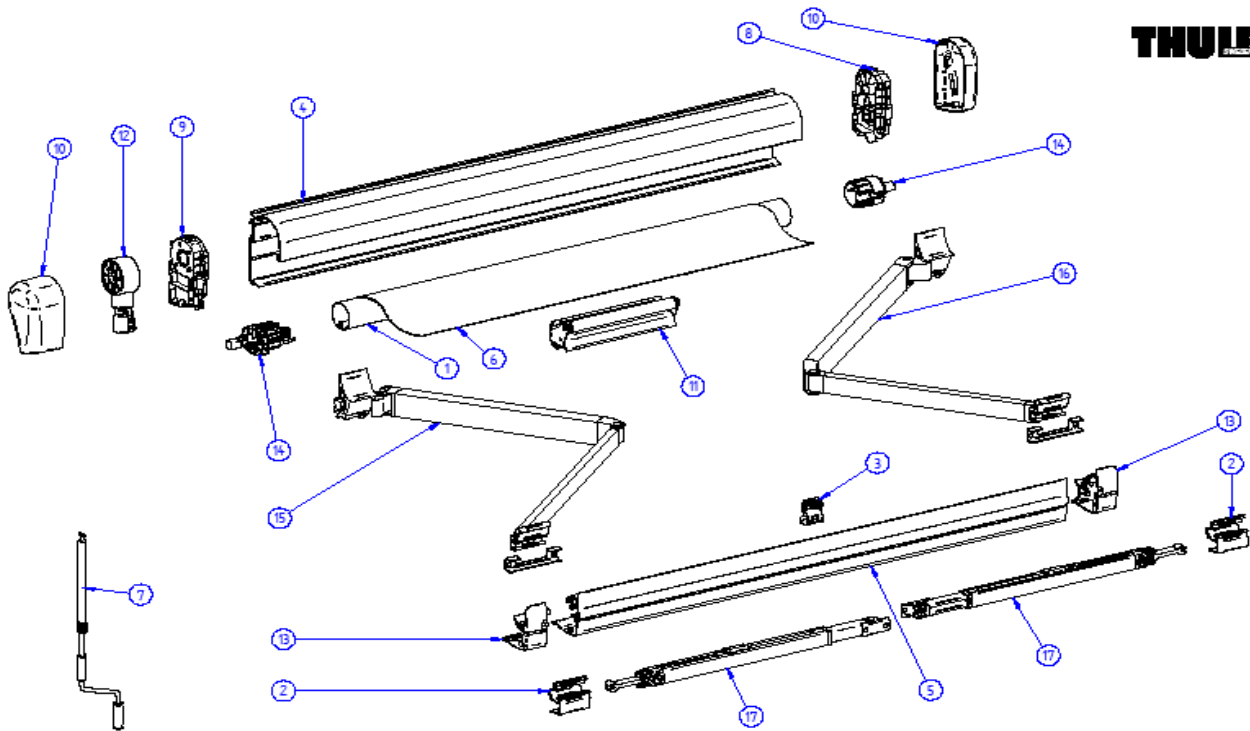
# 2013 SPARE PARTS LIST

## OMNI V10

**THULE**  
SWEDEN

5AB601

**THULE**  
ENERGY



THULE Omnistor Omni V10

5AB601

	ART.NR.	DESCRIPTION	RETAIL € (ex.VAT)
1	1500601792	ROLLER TUBE 48 5002/5003 -2,6M	23.60
	1500601793	ROLLER TUBE 48 5002/5003 -3,0M	26.80
	1500601794	ROLLER TUBE 48 5002/5003 -3,5M	31.20
	1500601803	ROLLER TUBE 48 5002/5003 -4,0M	35.60
2	1500600323	CONNECTION SUPPORT ARM OMNI V10	3.80
3	1500600324	HOOK SUPPORT ARM OMNI V10	2.80
4	1500601839	MAIN HOUSING 2.60 M	126.20
	1500600831	MAIN HOUSING 3,00 M	146.40
	1500600832	MAIN HOUSING 3,50 M	171.40
	1500600833	MAIN HOUSING 4,00 M	197.40
5	1500601764	LEAD RAIL OMNI-V10 2.60 M	112.00
	1500600849	LEAD RAIL OMNI-V10 3.00 M	123.40
	1500600850	LEAD RAIL OMNI-V10 3.50 M	144.40
	1500600851	LEAD RAIL OMNI-V10 4.00 M	166.40
6	1500600930	FABRIC 2.60M OMNI V10 03	181.00
	1500600931	FABRIC 2.60M OMNI V10 04	181.00
	1500600932	FABRIC 3,00M OMNI V10 03	201.40
	1500600933	FABRIC 3,00M OMNI V10 04	201.40
	1500600936	FABRIC 3,00M OMNI V10XL 03	201.40
	1500600937	FABRIC 3,00M OMNI V10XL 04	201.40
	1500600938	FABRIC 3,50M OMNI V10 03	224.00
	1500600939	FABRIC 3,50M OMNI V10 04	224.00
	1500600942	FABRIC 3,50M OMNI V10XL 03	224.00
	1500600943	FABRIC 3,50M OMNI V10XL 04	224.00
	1500600944	FABRIC 4,00M OMNI V10 03	246.60
	1500600945	FABRIC 4,00M OMNI V10 04	246.60
	1500600948	FABRIC 4,00M OMNI V10XL 03	246.60
	1500600949	FABRIC 4,00M OMNI V10XL 04	246.60
7	1500601207	HAND CRANK ASSY SHORT	36.20
8	1500601213	R.H. END PLATE ASSY OMNI-V10	13.20
9	1500601214	L.H. END PLATE ASSY OMNI-V10	14.60
10	1500601215	L.H. + R.H. SIDECAP ASSY OMNI-V10	12.60

**2013 SPARE PARTS LIST****THULE**  
SWEDEN

OMNI V10

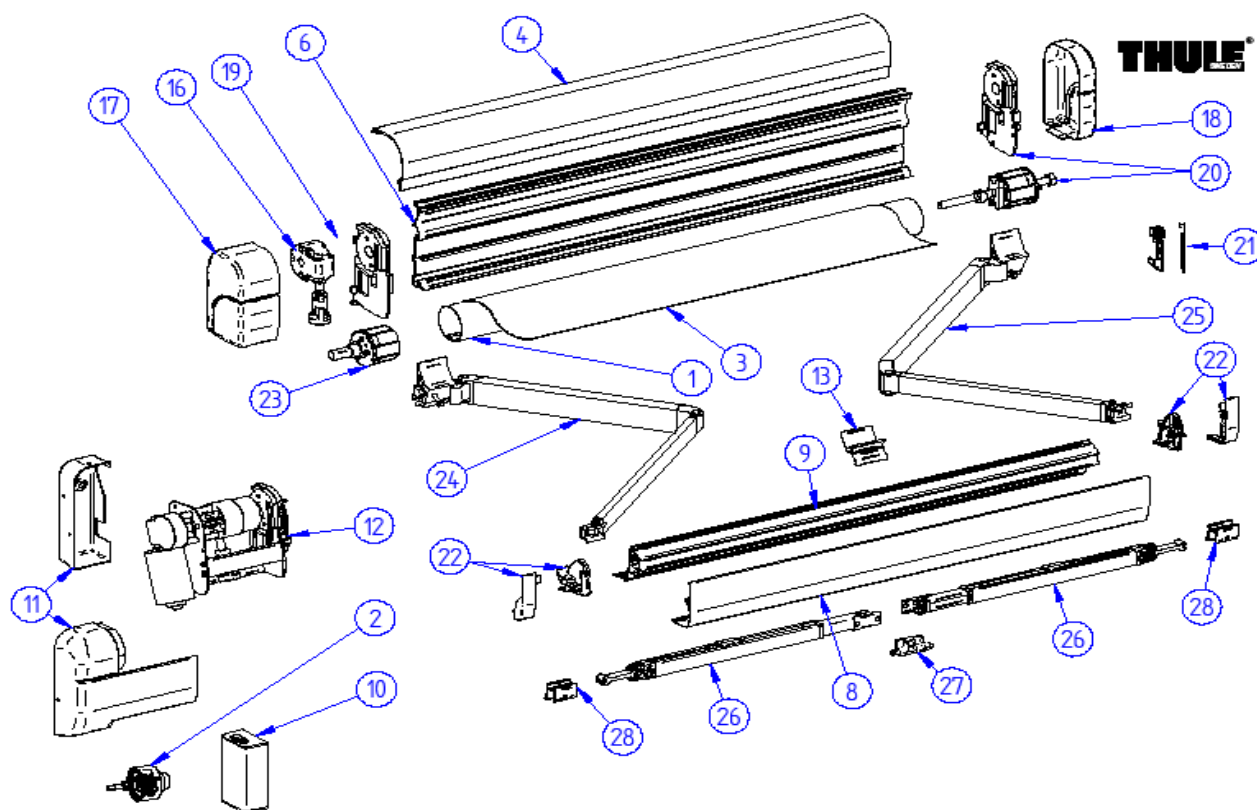
5AB601

11	1500601220	ROLLER TUBE SUPPORT 4M 5002	20.20
12	1500601221	GEAR ASSY+COUPL.FUNN 5002	39.00
13	1500601225	LH & RH ENDPLATE LEAD RAIL V10	8.60
14	1500601267	ROLLER TUBE ASSY L/R SER 5 & 6 D 48	13.40
15	1500602097	L.H. SPRING ARM COMPL. V10 - 2,60M	129.00
	1500602099	L.H. SPRING ARM COMPL. V10 ≥3,00M	134.40
	1500602101	L.H. SPRING ARM COMPL. V10XL ≥3,00M	134.40
16	1500602098	L.H. SPRING ARM COMPL. V10 - 2,60M	129.00
	1500602100	L.H. SPRING ARM COMPL. V10 ≥3,00M	134.40
	1500602102	L.H. SPRING ARM COMPL. V10XL ≥3,00M	134.40
17	1500601960	SUPPORT ARM V2 2,60M XL	62.80
	1500601611	SUPPORT ARM V2 3,00M	56.80
	1500601612	SUPPORT ARM V2 3,50-4,50M	56.80
18	1500601223	LH+RH CONN.LEAD RAIL OMNI V10	18.00

**2013 SPARE PARTS LIST**  
5500 / 5800

**THULE**  
SWEDEN

5AL605



THULE Omnistor 5500

5AL605

	ART.NR.	DESCRIPTION	RETAIL € (ex.VAT)
1	1500601851	ROLLER TUBE 63 / 5500 -3,0M	32.20
	1500601852	ROLLER TUBE 63 / 5500 -3,5M	38.00
	1500601853	ROLLER TUBE 63 / 5500 -4,0M	43.60
	1500601854	ROLLER TUBE 63 / 5500 -4,5M	49.40
	1500601855	ROLLER TUBE 63 / 5500 -5,0M	55.00
	1500601856	ROLLER TUBE 63 / 5500 -5,5M	60.60
	1500601857	ROLLER TUBE 63 / 5500 -6,0M	66.40
2	1500601131	PLANET. GEAR REPL.KIT(DIN CON)	136.20
3	1500600174	FABRIC 3.00M 5800 03	221.40
	1500600175	FABRIC 3.00M 5800 04	221.40
	1500600179	FABRIC 3.00M 5800 22 RAL 9002	221.40
	1500600200	FABRIC 3.50M 5800 03	246.40
	1500600201	FABRIC 3.50M 5800 04	246.40
	1500600207	FABRIC 3.50M 5800 22 RAL 9002	246.40
	1500600222	FABRIC 4.00M 5500 03	246.60
	1500600223	FABRIC 4.00M 5500 04	246.60
	1500600229	FABRIC 4.00M 5500 22 RAL 9002	246.60
	1500600232	FABRIC 4.00M 5800 03	271.20
	1500600233	FABRIC 4.00M 5800 04	271.20
	1500600238	FABRIC 4.00M 5800 RAL 9002	271.20
	1500600240	FABRIC 4.50M 5500 03	269.20
	1500600241	FABRIC 4.50M 5500 04	269.20
	1500600248	FABRIC 4.50M 5500 22 RAL 9002	269.20
	1500600251	FABRIC 4.50M 5800 03	296.20
	1500600252	FABRIC 4.50M 5800 04	296.20
	1500600256	FABRIC 4.50M 5800 22 RAL 9002	296.20
	1500600258	FABRIC 5.00M 5500 03	291.80
	1500600259	FABRIC 5.00M 5500 04	291.80
	1500600265	FABRIC 5.00M 5500 22 RAL 9002	291.80
	1500600268	FABRIC 5.00M 5800 03	321.00
	1500600269	FABRIC 5.00M 5800 04	321.00
	1500600273	FABRIC 5.00M 5800 22 RAL 9002	321.00

# 2013 SPARE PARTS LIST



5500 / 5800

5AL605

	1500600275	FABRIC 5.50M 5500 03	314.40
	1500600276	FABRIC 5.50M 5500 04	314.40
	1500600281	FABRIC 5.50M 5500 22 RAL 9002	314.40
	1500600284	FABRIC 6.00M 5500 03	337.00
	1500600285	FABRIC 6.00M 5500 04	337.00
	1500600289	FABRIC 6.00M 5500 22 RAL 9002	337.00
4	1500600330	COVER HOUSING 5500 3.00M	74.40
	1500601457	COVER HOUSING 5500 3.50M	86.60
	1500600334	COVER HOUSING 5500 4.00M	99.00
	1500600336	COVER HOUSING 5500 4.50M	111.40
	1500600338	COVER HOUSING 5500 5.00M	123.80
	1500600339	COVER HOUSING 5500 5.50M	136.00
	1500600340	COVER HOUSING 5500 6.00M	148.40
	1500600335	COVER HOUSING 5500 4.00M ANO	99.00
	1500600337	COVER HOUSING 5500 4.50M ANO	111.40
	1500601734	COVER HOUSING 5500 5.00M ANO	123.80
	1500601861	COVER HOUSING 5500 5.50M ANO	136.00
	1500600341	COVER HOUSING 5500 6.00M ANO	148.40
	1500601858	COVER HOUSING 5500 12V 3.00M	86.60
	1500600332	COVER HOUSING 5500 12V 3.50M	99.00
	1500601859	COVER HOUSING 5500 12V 4.00M	111.40
	1500601458	COVER HOUSING 5500 12V 4.50M	123.80
	1500601860	COVER HOUSING 5500 12V 5.00M	136.00
	1500601543	COVER HOUSING 5500 12V 5.50M	148.40
	1500600342	COVER HOUSING 5500 12V 6.00M	148.40
5	1500601248	LH+RH CONN.LEAD RAIL 5002	21.40
6	1500601862	BACK HOUSING 5500 3.00M	130.80
	1500601864	BACK HOUSING 5500 3,50M	150.00
	1500601538	BACK HOUSING 5500 4.00M	168.80
	1500600343	BACK HOUSING 5500 4.50M	187.40
	1500600344	BACK HOUSING 5500 5.00M	208.40
	1500601540	BACK HOUSING 5500 5.50M	229.20
	1500601531	BACK HOUSING 5500 6.00M	250.00
	1500601863	BACK HOUSING 5500 12V 3.00M	150.00
	1500601865	BACK HOUSING 5500 12V 3,50M	168.80
	1500601866	BACK HOUSING 5500 12V 4.00M	187.40
	1500601867	BACK HOUSING 5500 12V 4,50M	208.40
	1500601868	BACK HOUSING 5500 12V 5.00M	229.20
	1500601869	BACK HOUSING 5500 12V 5,50M	250.00
	1500600345	BACK HOUSING 5500 12V 6.00M	250.00
8	1500600348	OUTSIDE LEAD RAIL 3.00M	65.60
	1500600350	OUTSIDE LEAD RAIL 3.50M	76.80
	1500600353	OUTSIDE LEAD RAIL 4.00M	87.80
	1500600356	OUTSIDE LEAD RAIL 4.50M	98.80
	1500600359	OUTSIDE LEAD RAIL 5.00M	109.80
	1500600362	OUTSIDE LEAD RAIL 5.50M	120.80
	1500600365	OUTSIDE LEAD RAIL 6.00M	132.00
	1500600354	OUTSIDE LEAD RAIL 4.00M ANO	87.80
	1500600357	OUTSIDE LEAD RAIL 4.50M ANO	98.80
	1500600360	OUTSIDE LEAD RAIL 5.00M ANO	109.80
	1500600363	OUTSIDE LEAD RAIL 5.50M ANO	120.80
	1500600366	OUTSIDE LEAD RAIL 6.00M ANO	132.00
9	1500601459	INSIDE LEAD RAIL 5500 3.00M	78.40
	1500601870	INSIDE LEAD RAIL 5500 3.50M	91.60
	1500600371	INSIDE LEAD RAIL 5500 4.00M	105.00
	1500600373	INSIDE LEAD RAIL 5500 4.50M	118.20
	1500600374	INSIDE LEAD RAIL 5500 5.00M	131.40
	1500601874	INSIDE LEAD RAIL 5500 5,50M	144.60
	1500600376	INSIDE LEAD RAIL 5500 6.00M	157.80
	1500601871	INSIDE LEAD RAIL 5500 4,00M - ANO	105.00
	1500601872	INSIDE LEAD RAIL 5500 4,50M - ANO	118.20
	1500601873	INSIDE LEAD RAIL 5500 5,00M - ANO	131.40

**2013 SPARE PARTS LIST****THULE**  
SWEDEN

5500 / 5800

5AL605

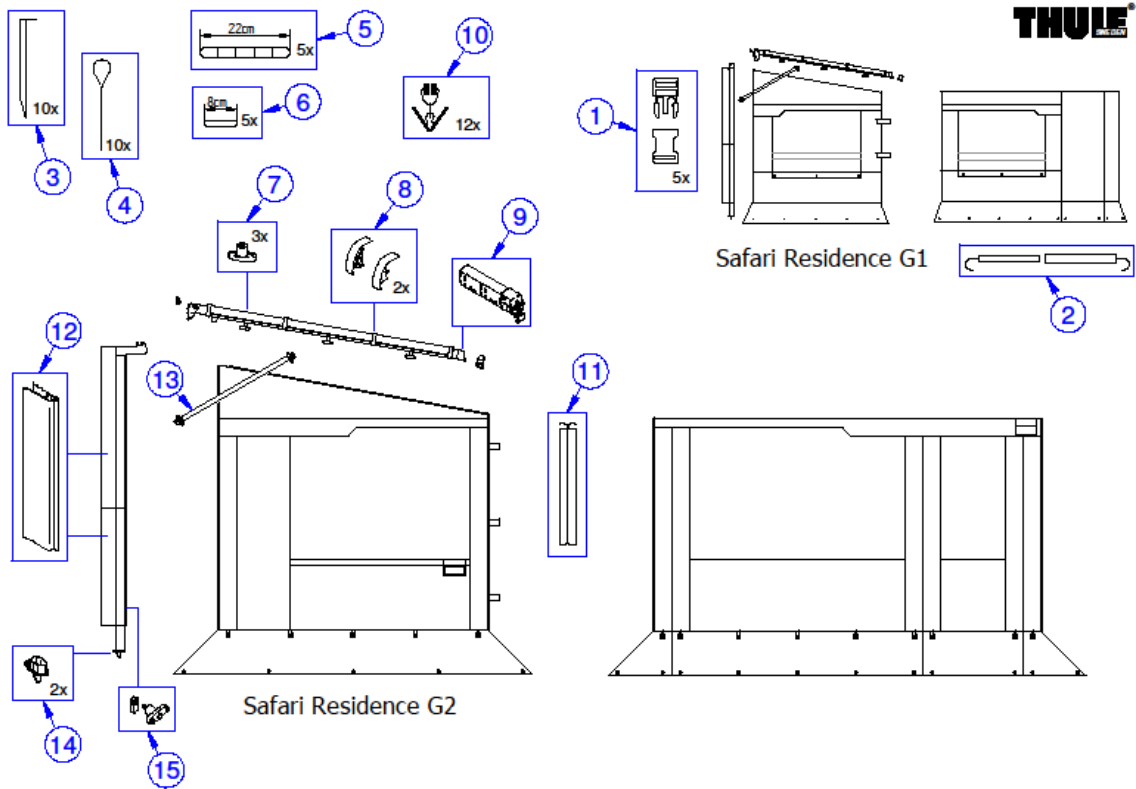
	1500601875	INSIDE LEAD RAIL 5500 5,50M - ANO	144.60
	1500602328	INSIDE LEAD RAIL 5500 6,00M - ANO	157.80
10	1500601128	ELECTR CONTR UNIT SERIE 5+6002	182.60
11	1500601133	END CAP 12V MOTOR 5500	48.40
	1500601134	ENDCAP 12V MOTOR 5500 RAL9006	74.20
12	1500601135	DRIVING UNIT 12V 5500	422.60
13	1500601130	GLIDING ANGLE LEAD RAIL	7.20
14	1500601164	CONN. PCS TENSION RAFTER 5500	3.80
15	1500601207	HAND CRANK ASSY SHORT	36.20
16	1500601209	GEAR ASSY+COUPL.FUN 5500/4000	39.00
17	1500601238	LH ENDCAP 5500	8.20
	1500601239	LH ENDCAP 5500 RAL9006	18.00
18	1500601240	RH ENDCAP 5500	8.00
	1500601241	RH ENDCAP 5500 RAL9006	17.80
19	1500601242	LH ENDPLATE ASSY + LOCK 5500	23.20
20	1500601243	RH ENDPLATE ASSY+ LOCK 5500	35.20
21	1500601245	LH+RH LOCK ASSY 5500	10.60
22	1500601246	LH+RH END PL. LEAD RAIL 5500	7.20
	1500601247	LH+RH END PL. LEAD RAIL 5500 RAL9006	27.20
	1500601244	LH+RH END PL. LEAD RAIL 5500 ≤2003	7.20
23	1500601253	LH ROL. TUBE ASSY 5500	21.80
24	1500602091	L.H. SPRING ARM COMPL. 5800 ≥4,00M	139.40
	1500602093	L.H. SPRING ARM COMPL. 5500 ≥4,00M	134.40
	1500602095	L.H. SPRING ARM COMPL. 5500 <4,00M	134.40
25	1500602092	R.H. SPRING ARM COMPL. 5800 ≥4,00M	139.40
	1500602094	R.H. SPRING ARM COMPL. 5500 ≥4,00M	134.40
	1500602096	R.H. SPRING ARM COMPL. 5500 <4,00M	134.40
26	1500601611	SUPPORT ARM V2 3.00M	56.80
	1500601612	SUPPORT ARM V2 3.50M	56.80
	1500601312	SUPPORT ARM V2 LARGE	62.80
27	1500601789	CENTRAL CLAMP SUPPORT ARM V2	2.80
28	1500600296	CONNECT. SUPP. ARM	3.80



**2013 SPARE PARTS LIST**  
600K

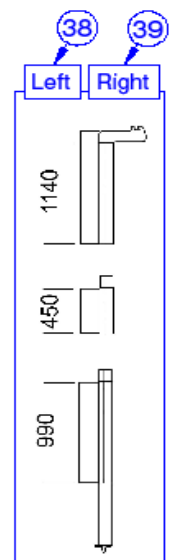
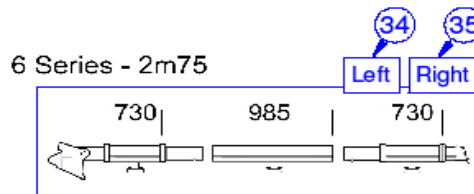
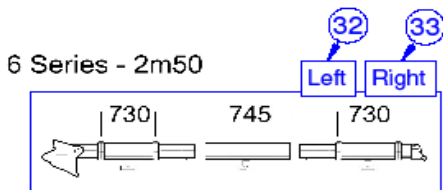
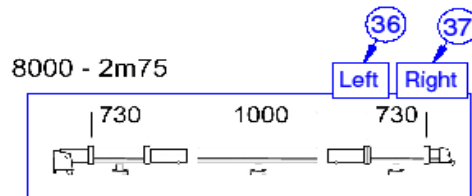
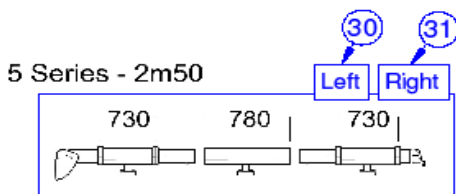
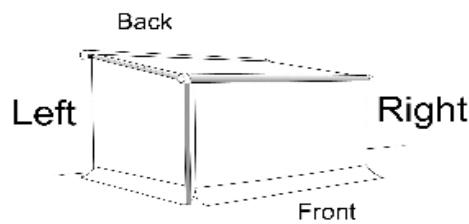


	ART.NR.	DESCRIPTION	RETAIL € (ex.VAT)
39720	1500602169	ROLLER TUBE D=48X0.8MM / 600K-3.06M	31.20
39721	1500602170	ROLLER TUBE D=48X0.8MM / 600K-3.63M	35.60
39722	1500602171	ROLLER TUBE D=48X0.8MM / 600K-4.51M	68.60
49707	1500602172	LH GLIDING PIECE SPRING ARM 6000	7.00
49708	1500602173	RH GLIDING PIECE SPRING ARM 6000	7.00
51542700	1500600296	CONNECT. SUPP. ARM V97 - 5000	3.80
51551461	1500600311	LH SPRING ARM ASSY 2.45M-600K+CON	139.60
51552461	1500600315	RH SPRING ARM ASSY 2.45M-600K+CON	139.60
55444300	1500601611	SUPPORT ARM V2 3.00M	56.80
55444400	1500601612	SUPPORT ARM V2 3.50-4.50M	56.80
51971400	1500600721	LH ROLLER TUBE 600K	6.40
51971500	1500600722	RH ROLLER TUBE 600K	7.80
51971631	1500602174	SUPPORT PROFILE 3.06M 600K	103.60
51971636	1500602175	SUPPORT PROFILE 3.625M 600K	119.60
51971645	1500600723	SUPPORT PROFILE 4.51M 600K	145.60
51971800	1500600724	LH SIDE PIECE 600K	73.00
51971900	1500600725	RH SIDE PIECE 600K	12.40
51973401	1500602151	ADAPTER ASSY 600K 3.06M	31.60
51973402	1500602152	ADAPTER ASSY 600K 3.625M	47.60
51973403	1500602153	ADAPTER ASSY 600K 4.51M	79.20
51973531	1500600726	LEAD PROFILE 600K 3.06 M	183.00
51973536	1500600728	LEAD PROFILE 600K 3.625 M	206.00
51973545	1500600729	LEAD PROFILE 600K 4.51 M	228.60
51973600	1500600730	LH LEADRAIL ASSY 600K	4.00
51973700	1500600731	RH LEADRAIL ASSY 600K	4.00
51975404	1500600733	FABRIC 600K 3.06M ALASKA GREY	221.40
51975504	1500600736	FABRIC 600K 3.625M ALASKA GREY	229.40
51975604	1500600737	FABRIC 600K 4.51M ALASKA GREY	269.20



THULE Safari Residence

SRS600-00



THULE Safari Residence

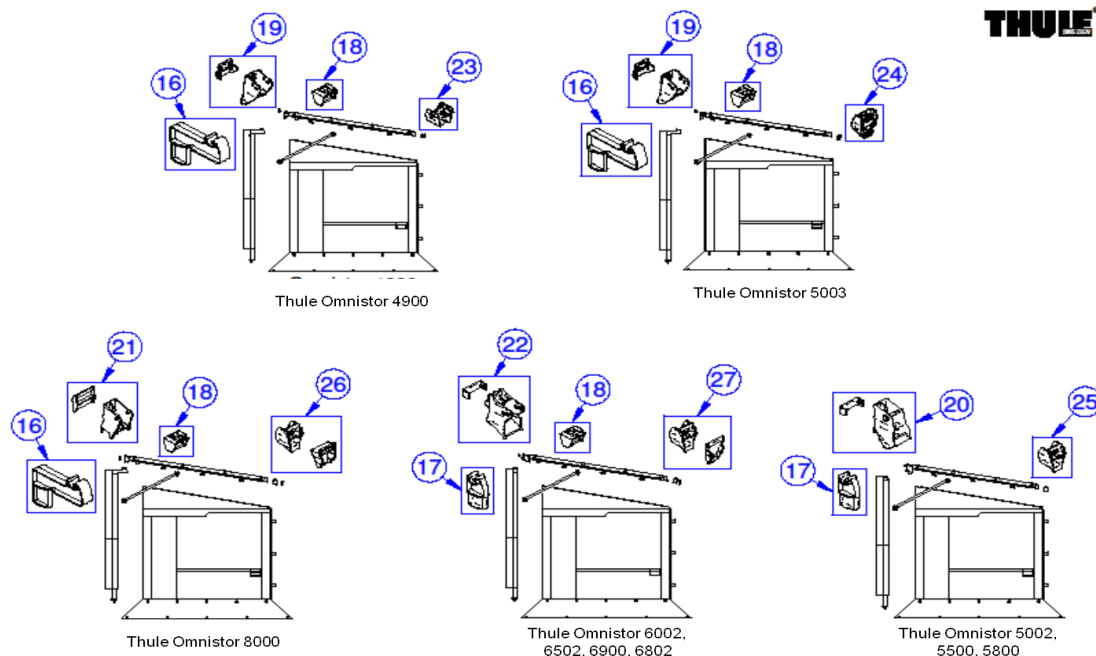
SRS602-00

# 2013 SPARE PARTS LIST SAFARI RESIDENCE

**THULE**  
SWEDEN

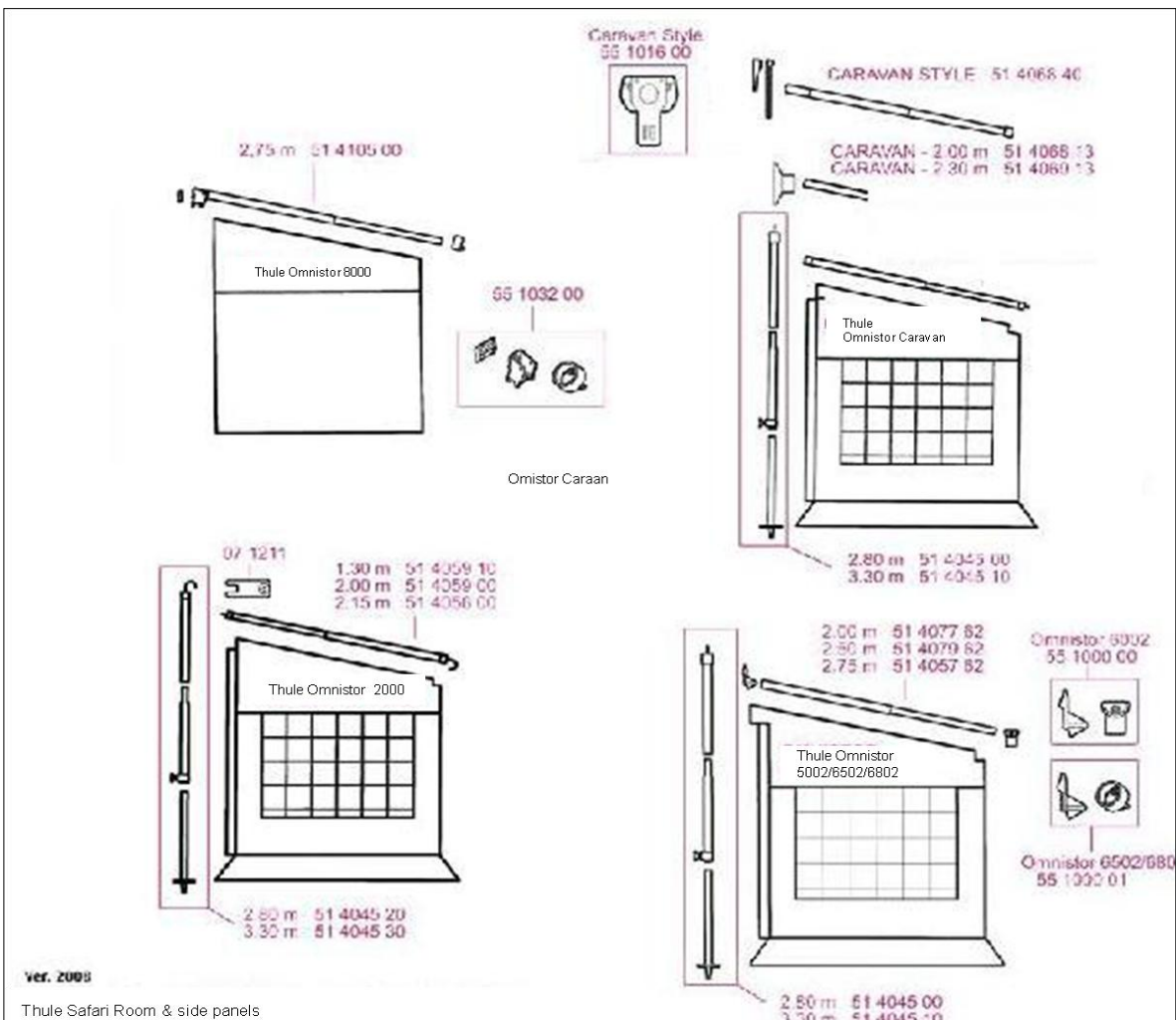
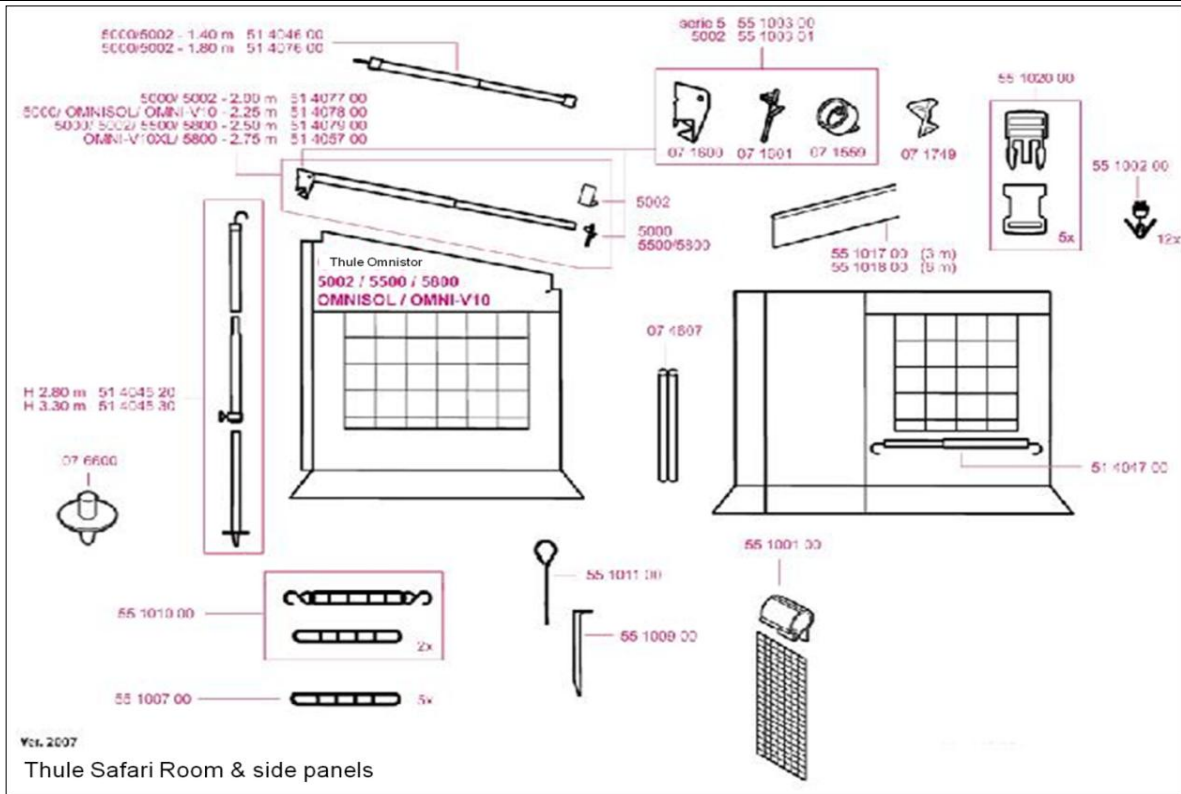
SRS600 / SRS601 / SRS602

**THULE**



	ART.NR.	DESCRIPTION	RETAIL € (ex.VAT)
1	1500601178	BUCKLE 16MM WHITE - 5 PCS	5.00
2	1500600119	WINDOW TUBE ASSY	15.80
3	1500601169	TENT PEG HALF ROUND - 10PCS	8.20
4	1500601171	GROUND SHEET PEG - 10PCS	5.20
5	1500601167	MULTI POSITION RUBBER 20CM - 5PCS	9.40
6	1500602154	ELASTIC BAND 8CM - 5PCS	5.80
7	1500601182	NUT KNOB M6 GREY SAFARI RESIDENCE - 3PCS	3.60
8	1500601181	COVER CLAMP PROFILE 2L+2R	3.20
9	1500602155	END PIECE TENSION RAFTER CLAMP	4.60
10	1500601161	CURTAIN HOLDER - 12PCS	7.80
11	1500602029	CONNECTING PROFILE FRONT AND SIDE PANEL - 1,00M	4.20
12	1500600139	CLOSING PROFILE MAST L= 1140 MM	8.20
13	1500600138	SUPPORT PROFILE SAFARI RESIDENCE	28.00
14	1500602033	FOOT PIECE MAST SAFARI RESIDENCE 06 2PCS	3.40
15	1500601400	FIXATION SYSTEM MAST RESIDENCE	2.40
16	1500601189	END PIECE MAST SAFARI RESIDENCE 8000	3.40
17	1500601179	END PIECE MAST SAFARI RESIDENCE	2.80
18	1500601187	MAST HOLDER SAFARI RESIDENCE S6+8000	3.40
19	1500601682	POSIT. PIECE + TR HOLDER 5003	4.20
20	1500601180	POSITIONING BLOCK + TENSION RAFTER HOUSING S5	4.60
21	1500601188	POSITIONING BLOCK + TENSION RAFTER HOUSING 8000	3.40
22	1500601184	POSITIONING BLOCK + TENSION RAFTER HOUSING S6	4.60
23	1500602156	INSERT LR 4900	4.40
24	1500601683	INSERT LR 5003 + END PIECE TR CLAMP	4.40
25	1500601183	END PIECE TENSION RAFTER CLAMP + INSERT SR S5	4.00
26	1500601186	END PIECE TENSION RAFTER CLAMP + INSERT SR 8000	5.80
27	1500601185	END PIECE TENSION RAFTER CLAMP + INSERT SR S6	5.80
28	1500602034	SUCTION PAD VW RESIDENCE ASSY	6.40
29	1500602035	BELT HOOKS VW RESIDENCE	8.80
30	1500602157	CLAMPING PROFILE 5 SERIES - 2M50 - LEFT	122.60
31	1500602158	CLAMPING PROFILE 5 SERIES - 2M50 - RIGHT	122.60
32	1500602159	CLAMPING PROFILE 6 SERIES - 2M50 - LEFT	123.80
33	1500602160	CLAMPING PROFILE 6 SERIES - 2M50 - RIGHT	123.80
34	1500602161	CLAMPING PROFILE 6 SERIES - 2M75 - LEFT	129.40
35	1500602162	CLAMPING PROFILE 6 SERIES - 2M75 - RIGHT	129.40
36	1500602163	CLAMPING PROFILE 8000 - 2M75 - LEFT	130.60
37	1500602164	CLAMPING PROFILE 8000 - 2M75 - RIGHT	130.60
38	1500602165	MAST PROFILE - LEFT	113.80
39	1500602166	MAST PROFILE - RIGHT	113.80

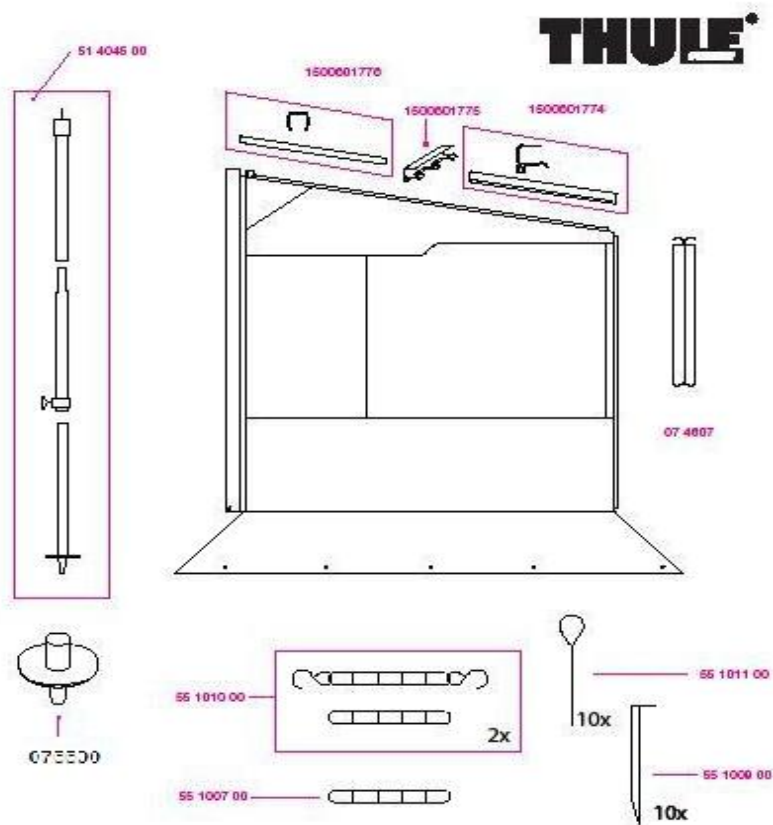
# 2013 SPARE PARTS LIST SAFARI ROOM



**2013 SPARE PARTS LIST**  
**SAFARI ROOM**



	ART.NR.	DESCRIPTION	RETAIL € (ex.VAT)
71211	1500602024	CON.PLATE TENSION RAFTER 2000	1.20
71559	1500602025	CON.TEN.RAFTER - L.RAIL 5002/6502	1.00
71600	1500602026	CON.TEN.RAFTER - HOUSING 5002	2.80
71601	1500602027	CON.TEN.RAFTER - L.RAIL 5000/5500	1.00
71749	1500602028	CON.TEN.RAFTER - L.RAIL OMNI-V10	1.00
74607	1500602029	CONNECTING PROF.PANEL - 1,00M	4.20
76600	1500602030	GROUND PIN MAST SAF.ROOM	1.40
51404500	1500600116	MAST 2.80M WITH PIN SAFARIROOM	27.80
51404510	1500601537	MAST 3.30M WITH PIN SAFARI ROO	37.00
51404520	1500600117	MAST 2.80M WITH HOOK SAF.ROOM	27.80
51404530	1500600118	MAST 3.30M WITH HOOK SAF.ROOM	37.00
51404600	1500601403	TENSION RAFTER 4000/5000	42.60
51404700	1500600119	WINDOW TUBE ASSY SAFARIROOM	15.80
51405700	308234	TENSION RFT 2.75M UNIVERSAL	30.25
51405762	308235	TENSION RFT 2.75M SERIE 6	30.25
51405800	308236	TENSION RFT 2.15M FOR 2000	42.60
51405900	308237	TENSION RFT 2.00M FOR 2000	42.60
51405910	1500602031	TENSION RAFTER 2000 - 1,30M	42.60
51406813	308238	TENSION RFT 2.00M CARAVAN	42.60
51406840	308239	TENSION RFT CARAVAN STYLE	44.20
51406913	308240	TENSION RFT 2.30M CARAVAN	0.00
51407600	308241	TENSION RFT 1.80M UNIVERSAL	42.60
51407700	308242	TENSION RFT 2.00M UNIVERSAL	21.01
51407762	308243	TENSION RFT 2.00M SERIE 6	21.01
51407800	308244	TENSION RFT 2.25M UNIVERSAL	21.85
51407900	308245	TENSION RFT 2.50M UNIVERSAL	24.37
51407962	308246	TENSION RFT 2.50M SERIE 6	24.37
51407990	1500602032	TENSION RAFTER 9000 - 2,50M	42.60
51410500	308300	TENS RFT RB/SB/ 2.75M 8000	45.40
55100000	1500601158	CON.PCE TENSION RAFTER 6002	3.80
55100001	1500601159	CONNECTION PIECE TR 6502/6900	3.80
55100100	1500601160	NYLON TENTCLIP (6) SAFARIROOM	8.40
55100200	1500601161	WINDOW HOLDER (12) SAFARIROOM	7.80
55100300	1500601162	CONNECTION PCS TR 5000 SAFARIR	3.80
55100301	1500601163	CONNECTION PCS TR 5002 SAFARIR	5.60
55100400	1500601164	CONN. PCS TR 5500/OS SAFARI SR	3.80
55100700	1500601167	LADDER RUBBERRING 20CM-5PCS SR	9.40
55100900	1500601169	TENTPEG HALFROUND-10PCS SR	8.20
55101000	1500601170	MULTI POS. ELAST.+S-HOOK 4PCS	11.20
55101100	1500601171	GROUNDSHEETPEG - 10 PCS	5.20
55101200	1500601172	AWNING BRACKET 2 PCS	3.80
55101700	1500601175	DRAP ROPE 3.00M	22.60
55101800	1500601176	DRAP ROPE 6.00M	41.00
55102000	1500601178	BUCKLE 16MM WHITE (5 PIECES)	5.00
55103200	1500601399	CONN PCS TENS RFT RB/SB 8000	4.60



Thule Safari Style

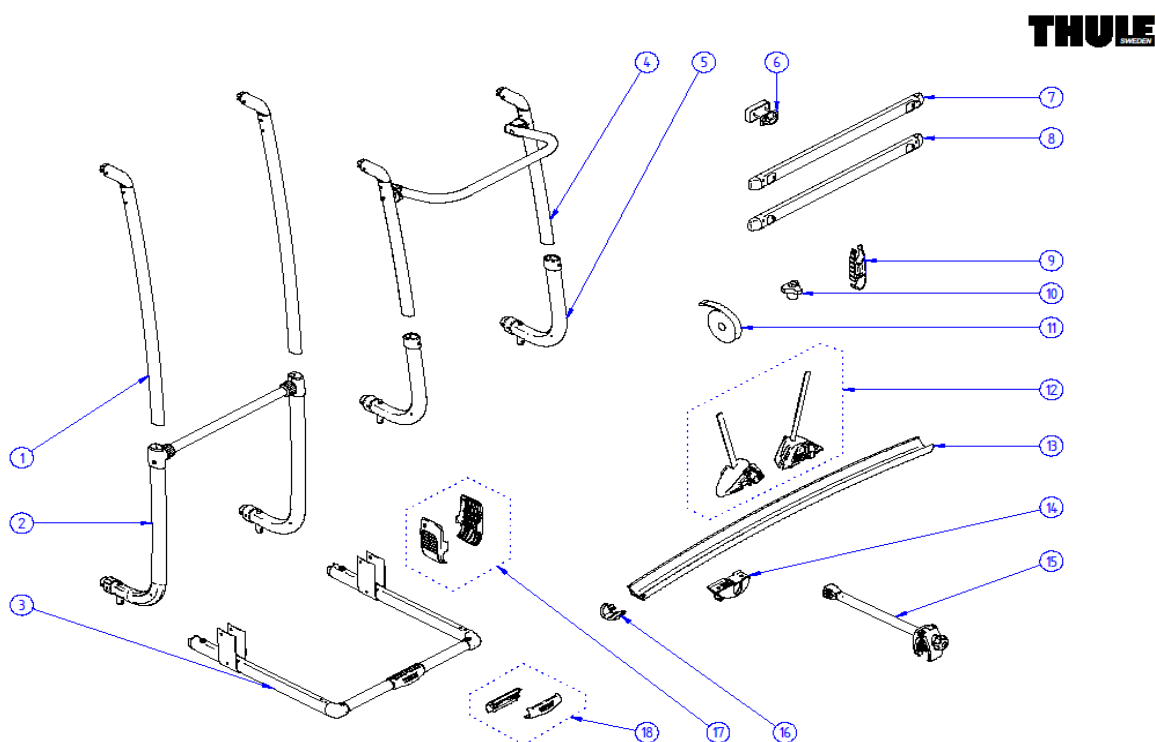
	ART.NR.	DESCRIPTION	RETAIL € (ex.VAT)
1500601774	1500601774	CLAMP PROFILE 850 MM	6.50
1500601775	1500601775	CLAMP PROFILE MID 265 MM	9.80
1500601776	1500601776	U-PROFILE 900 MM	5.60
07 4607	1500602029	CONNECTING PROF.PANEL - 1,00M	4.20
07 6600	1500602030	GROUND PIN MAST SAF.ROOM	1.40
51 4045 00	1500600116	MAST 2.80M WITH PIN SAFARIROOM	27.80
55 1007 00	1500601167	LADDER RUBBERRING 20CM-5PCS SR	9.40
55 1009 00	1500601169	TENTPEG HALFRound-10PCS SR	8.20
55 1010 00	1500601170	MULTI POS. ELAST.+S-HOOK 4PCS	11.20
55 1011 00	1500601171	GROUND SHEET PEG - 10 PCS	5.20

# 2013 SPARE PARTS LIST

Excellent - common parts

**THULE**  
SWEDEN

EX600-00



THULE Excellent LV - Excellent SV - Excellent common parts

EX600-00

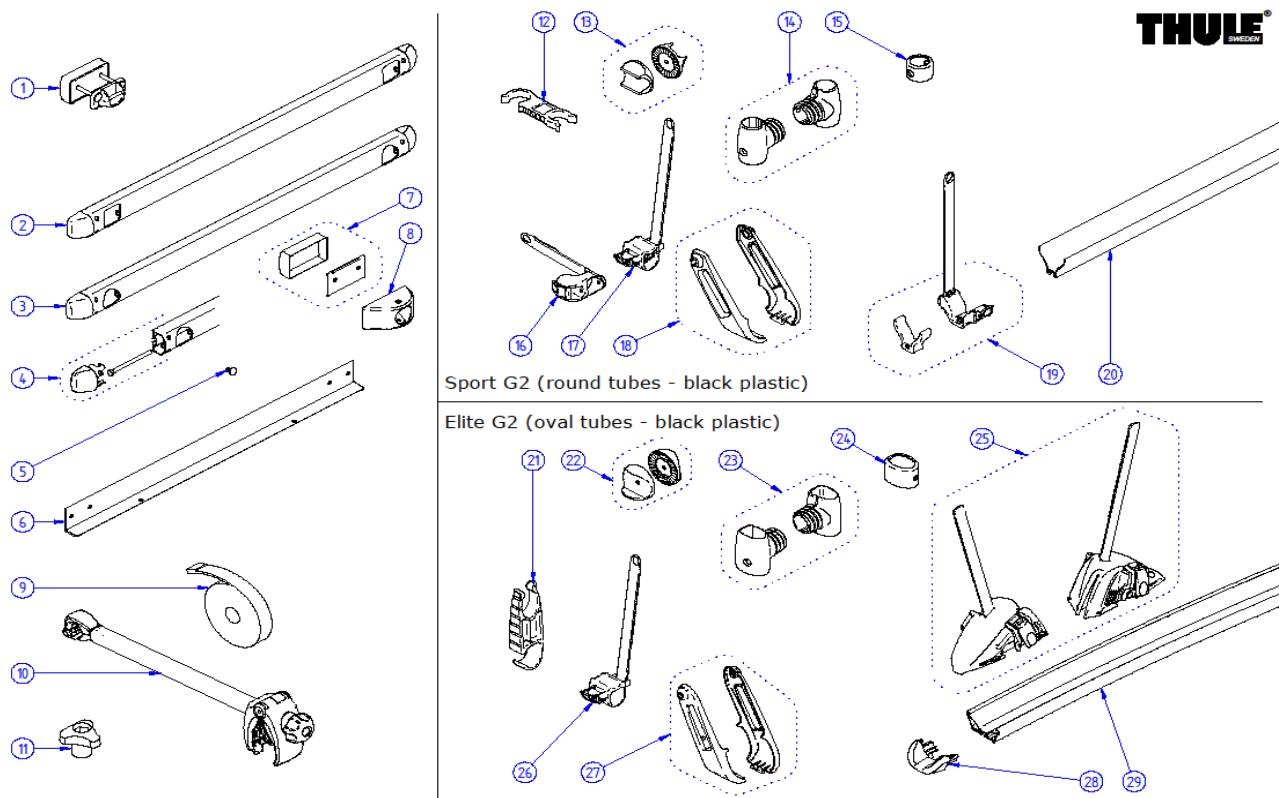
	ART.NR.	DESCRIPTION	RETAIL € (ex.VAT)
1	1500602393	EXCELLENT ARM (1x)	36.20
2	1500602394	EXCELLENT CROSSBAR + T-PIECES + BODY	80.40
3	1500602397	EXCELLENT PLATFORM	103.00
4	1500602395	EXCELLENT SV ARMS+CROSSBAR	80.40
5	1500602396	EXCELLENT SV BODY + CONNECTION PIECE (1x)	36.20
6	1500602383	G2 UPPER FIXATION KIT (2x)	12.00
7	309828	G2 TOP MOUNTING RAIL	see price list
8	1500600540	BOTTOM MOUNTING RAIL	31.00
8	308954	BOTTOM MOUNTING RAIL BLIND	see price list
9	1500602400	PLATFORM HOLDER (2x)	5.20
10	1500602386	KNOB WITH NUT (2x)	2.00
11	1500602387	SAFETY STRAP 2,00M BLACK	2.60
12	1500602403	EXCELLENT WHEEL HOLDER W PUMP BUCKLE (1L+1R)	28.00
13	1500602401	G2 RAIL PROFILE	28.40
14	1500602621	EXCELLENT RAILSLIDER BLACK (2x)	7.20
15	306463	G2 BIKE ARM #1 WITH LOCK	see price list
15	306464	G2 BIKE ARM #2 WITH LOCK	see price list
15	306465	G2 BIKE ARM #3 WITH LOCK	see price list
15	306466	G2 BIKE ARM #4 WITH LOCK	see price list
16	1500602402	G2 ENDCAP RAIL (2x)	2.60
17	1500602398	EXCELLENT HINGE COVERS (1L+1R)	5.20
18	1500602399	EXCELLENT PLATFORM HANDLE	5.20

# 2013 SPARE PARTS LIST

## Sport G2 & Elite G2 - common parts

**THULE**  
SWEDEN

MH604-00



THULE Sport G2 & Elite G2 - common parts

MH604-00

	ART.NR.	DESCRIPTION	RETAIL € (ex.VAT)
1	1500602383	G2 UPPER FIXATION KIT (2x)	12.00
2	309828	G2 TOP MOUNTING RAIL	see price list
3	1500600540	BOTTOM MOUNTING RAIL	31.00
3	308954	BOTTOM MOUNTING RAIL BLIND	see price list
4	1500600549	SPORT/ELITE CAP MOUNTING PROFILE + BOLT (2x)	9.20
5	1500602405	MOUNTING RAIL SECURITY PIN (x100)	33.20
6	1500601518	ANGLE SUPPORT RAIL DUCATO	7.80
7	1500602360	LOWER FIXATION KIT INSIDE (2x)	7.80
8	1500602384	FOOT + FOOT COVER (2x)	5.80
9	1500602387	SAFETY STRAP 2,00M BLACK	2.60
10	306463	G2 BIKE ARM #1 WITH LOCK	see price list
10	306464	G2 BIKE ARM #2 WITH LOCK	see price list
10	306465	G2 BIKE ARM #3 WITH LOCK	see price list
10	306466	G2 BIKE ARM #4 WITH LOCK	see price list
11	1500602386	KNOB WITH NUT (2x)	2.00
12	1500602385	G2 PLATFORM HOLDER 30/34	5.20
12	1500602622	G2 PLATFORM HOLDER 34/34	5.20
13	1500602623	G2 SERRATED PIECE round (2x)	7.00
14	1500602624	G2 SPORT T-PIECE (2x)	7.40
15	1500602625	G2 CONNECTION PIECE DIA. 34/30 (2x)	1.00
16	1500602626	PLATFORM LOCK VERTICAL (2x)	5.20
17	1500602627	PLATFORM LOCK (1L+1R)	5.20
18	1500602620	SPORT G2 HINGE COVERS BLACK 20° (1L+1R)	3.60
18	1500602628	SPORT G2 HINGE COVERS BLACK 40° (1L+1R)	3.60
19	1500602629	SPORT G2 ENDCAP + WHEEL STRAPS FOR V-RAIL (2x)	7.40
20	1500602388	V-RAIL PROFILE	15.20
21	1500602400	PLATFORM HOLDER (2x)	5.20
22	1500602630	G2 SERRATED PIECES oval (1+1)	8.60
23	1500602631	G2 OVAL T-PIECES (1L+1R)	7.60
24	1500602632	G2 CONNECTION PIECE OVAL 42/48 (2x)	3.60
25	1500602403	WHEEL HOLDER W PUMP BUCKLE (2x)	28.00
26	1500602633	PLATFORM LOCK OVAL (1L+1R)	5.20



## 2013 SPARE PARTS LIST

**THULE**  
SWEDEN

Sport G2 & Elite G2 - common parts

MH604-00

27	1500602634	ELITE G2 HINGE COVERS BLACK (1L+1R)	4.60
28	1500602402	G2 ENDCAP RAIL (2x)	2.60
29	1500602401	G2 RAIL PROFILE	28.40

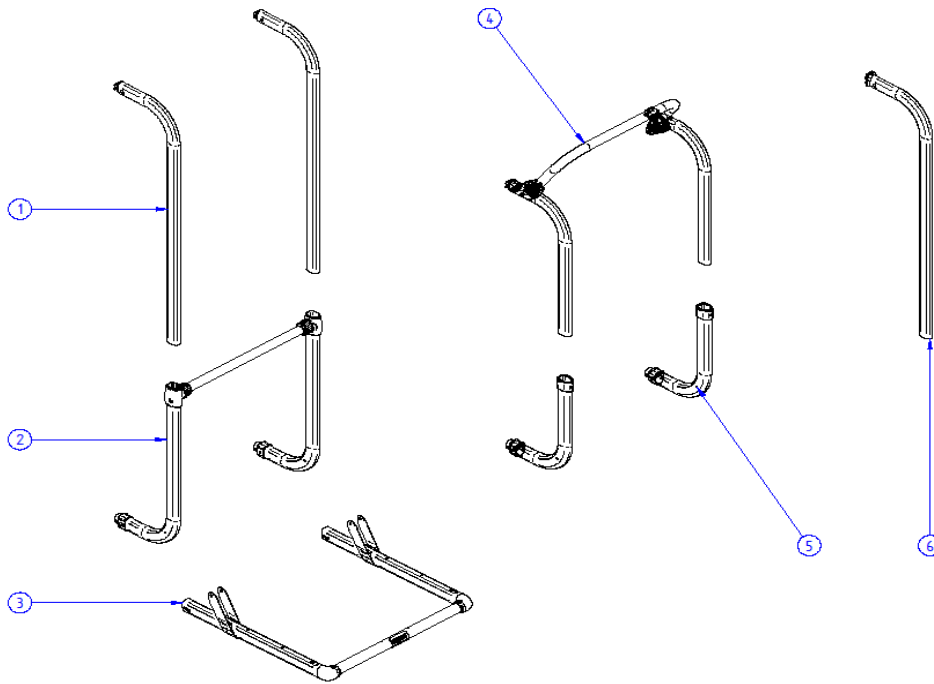
# 2013 SPARE PARTS LIST

Elite G2 LV - Elite G2 SV - Elite G2 HH

**THULE**  
SWEDEN

MH605-00

**THULE**  
SWEDEN



THULE Elite G2 LV / Elite G2 SV / Elite G2 HH

MH605-00

	ART.NR.	DESCRIPTION	RETAIL € (ex.VAT)
1	1500602635	ELITE G2 LV ARM (1x)	25.80
2	1500602636	ELITE G2 LV BODY + CROSSBAR + T-PIECES	44.60
3	1500602637	ELITE G2 PLATFORM WITHOUT RAILS	77.40
4	1500602638	ELITE G2 SV ARMS + CROSSBAR	39.20
5	1500602639	ELITE G2 SV BODY + CONNECTION PIECE (1x)	28.40
6	1500602640	ELITE G2 HH ARM (1x)	25.80

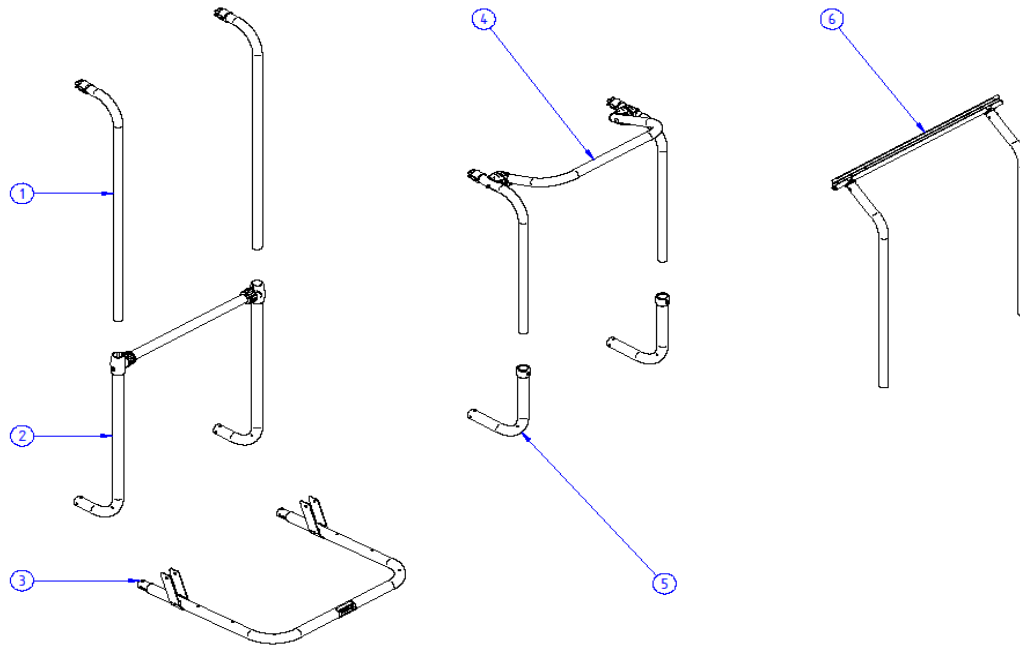
# 2013 SPARE PARTS LIST

Sport G2 LV - Sport G2 SV - Sport G2 W150/Hobby

**THULE**  
SWEDEN

SP608-00

**THULE**  
SWEDEN



THULE Sport G2 LV / Sport G2 SV / Sport G2 W150/Hobby

SP608-00

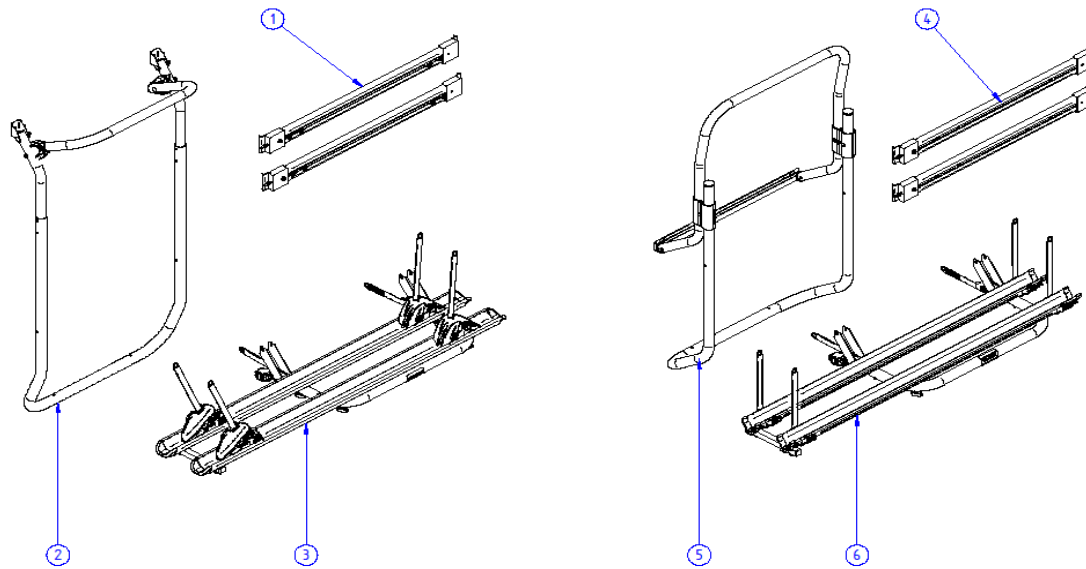
	ART.NR.	DESCRIPTION	RETAIL € (ex.VAT)
1	1500602378	SPORT G2 LV ARM (1x)	30.20
2	1500602379	SPORT G2 LV BODY + CROSSBAR + T-PIECES	36.20
3	1500602641	SPORT G2 PLATFORM WITHOUT RAILS	67.00
4	1500602381	SPORT G2 SV ARMS + CROSSBAR	46.00
5	1500602382	SPORT G2 SV BODY + CONNECTION PIECE (1x)	16.20
6	1500602642	SPORT G2 W150/HOBBY ARMS + RAIL	34.00

**2013 SPARE PARTS LIST**  
Elite G2 van - Sport G2 van

**THULE**  
SWEDEN

MH606-00

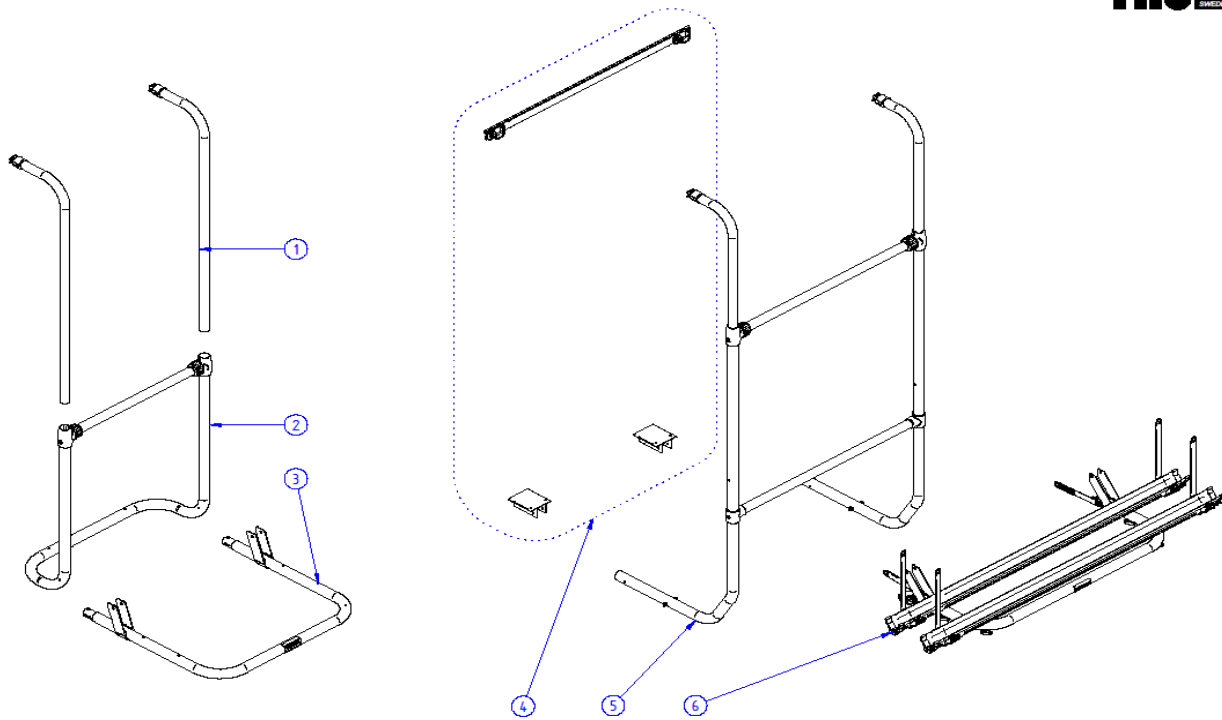
**THULE**  
SWEDEN



THULE Elite G2 van / Sport G2 van

MH606-00

	ART.NR.	DESCRIPTION	RETAIL € (ex.VAT)
1	1500602643	ADAPTION RAIL SET DUCATO SINCE 2007 (2 rails)	147.60
2	1500602644	ELITE G2 VAN BODY	77.40
3	1500602645	ELITE G2 VAN PLATFORM COMPLETE	67.00
4	1500602646	ADAPTION RAIL SET DUCATO BEFORE 2007 (2 rails)	147.60
5	1500602647	SPORT G2 VAN BODY	97.80
6	1500602648	SPORT G2 VAN PLAFORM COMPLETE	67.00



THULE Sport G2 tour / Sport G2 Universal

SP609-00

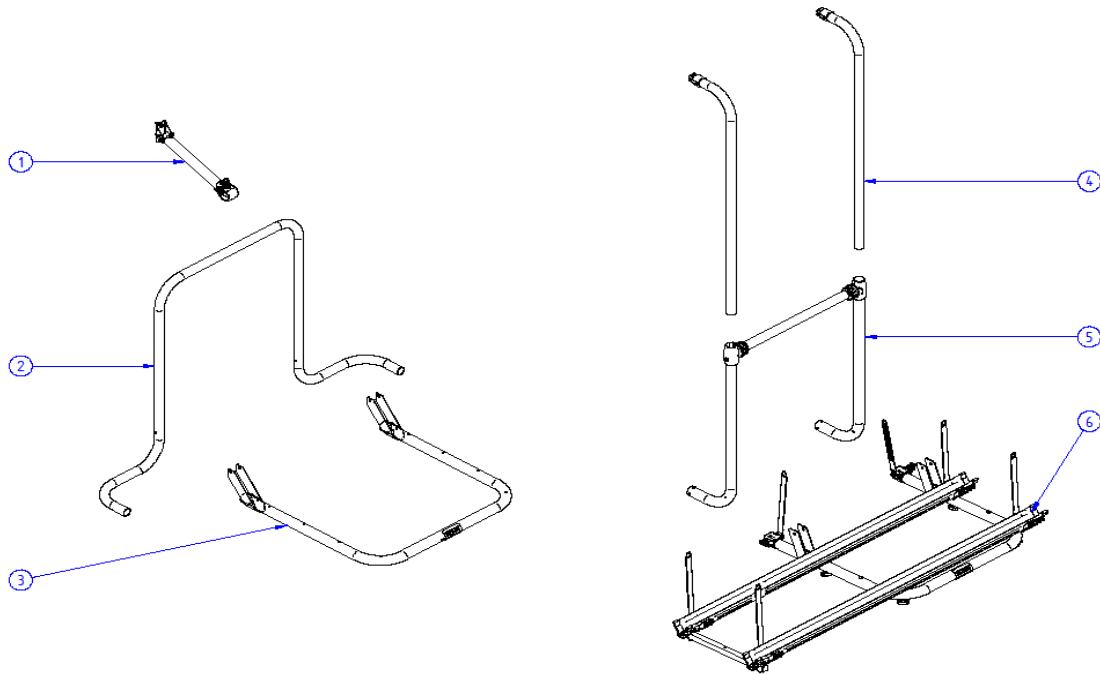
	ART.NR.	DESCRIPTION	RETAIL € (ex.VAT)
1	1500602649	SPORT G2 TOUR ARM (1x)	15.20
2	1500602650	SPORT G2 TOUR BODY	32.60
3	1500602641	SPORT G2 PLATFORM WITHOUT RAILS	67.00
4	1500601512	SPORT G2 UNIVERSAL FIXATION SET	23.20
5	1500602651	SPORT G2 UNIVERSAL BODY	105.80
6	1500602652	SPORT G2 UNIVERSAL PLATFORM COMPLETE	72.20

**2013 SPARE PARTS LIST**  
Sport G2 garage - Sport G2 2 doors

**THULE**  
SWEDEN

SP610-00

**THULE**  
SWEDEN



THULE Sport G2 garage / Sport G2 2 doors

SP610-00

	ART.NR.	DESCRIPTION	RETAIL € (ex.VAT)
1	1500602653	SPORT G2 GARAGE WALL FIXATION	13.00
2	1500602654	SPORT G2 GARAGE BODY	46.60
3	1500602655	SPORT G2 GARAGE PLATFORM WITHOUT RAILS	77.40
4	1500602378	SPORT G2 LV ARM (1x)	30.20
5	1500602656	SPORT G2 2 DOORS BODY	46.40
6	1500602657	SPORT G2 2 DOORS PLATFORM COMPLETE	90.00

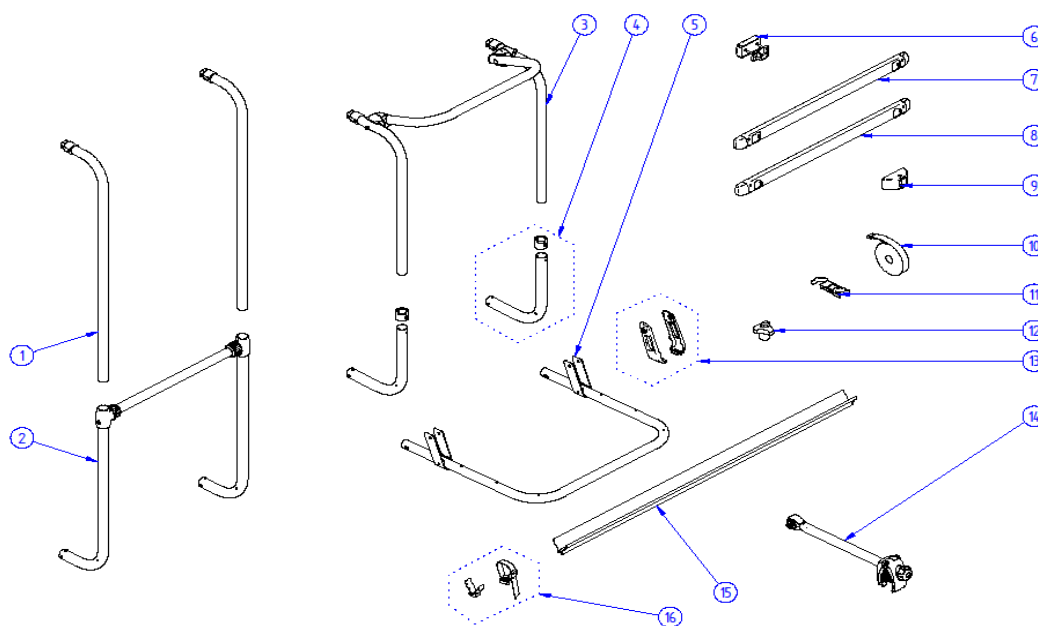
# 2013 SPARE PARTS LIST

## Essential - common parts

**THULE**  
SWEDEN

ES600-00

**THULE**  
SWEDEN



THULE Essential LV - Essential SV

ES600-00

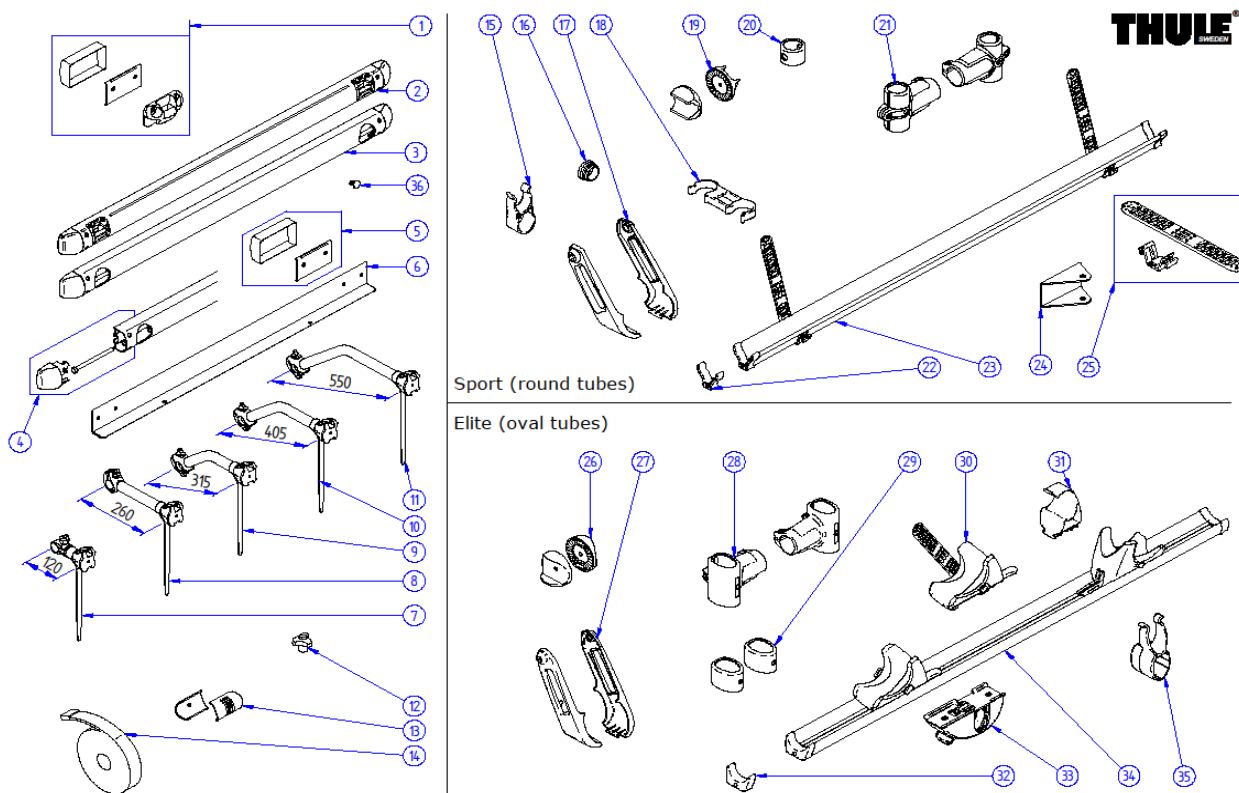
	ART.NR.	DESCRIPTION	RETAIL € (ex.VAT)
1	1500602378	SPORT G2 LV ARM (1x)	30.20
2	1500602379	SPORT G2 LV CROSSBAR + T-PIECES + BODY	36.20
3	1500602381	SPORT G2 SV ARMS+CROSSBAR	46.00
4	1500602382	SPORT G2 SV BODY + CONNECTION PIECE (1x)	16.20
5	1500602380	ESSENTIAL PLATFORM	67.00
6	1500602383	G2 UPPER FIXATION KIT (2x)	12.00
7	309828	G2 TOP MOUNTING RAIL	see price list
8	1500600540	BOTTOM MOUNTING RAIL	31.00
8	308954	BOTTOM MOUNTING RAIL BLIND	see price list
9	1500602384	FOOT + FOOT COVER (2x)	5.80
10	1500602387	SAFETY STRAP 2,00M BLACK	2.60
11	1500602385	G2 PLATFORM HOLDER 30/34	5.20
12	1500602386	KNOB WITH NUT (2x)	2.00
13	1500602620	SPORT G2 HINGE COVERS BLACK 20° (1L+1R)	3.60
14	306463	G2 BIKE ARM #1 WITH LOCK	see price list
14	306464	G2 BIKE ARM #2 WITH LOCK	see price list
14	306465	G2 BIKE ARM #3 WITH LOCK	see price list
15	1500602388	V-RAIL PROFILE	15.20
16	1500602389	ESSENTIAL ENDCAP + WHEEL STRAPS FOR V-RAIL (2x)	6.20

# 2013 SPARE PARTS LIST

## Sport & Elite - common parts

**THULE**  
SWEDEN

BA812-00



THULE Sport & Elite - common parts

BA812-01

	ART.NR.	DESCRIPTION	RETAIL € (ex.VAT)
1	1500600548	SPORT/ELITE UPPER FIXATION KIT (2x)	12.00
2	308182	SPORT/ELITE TOP MOUNTING PROFILE	23.53
3	1500600540	SPORT/ELITE BOTTOM MOUNTING OMNIBIKE	31.00
4	1500600549	SPORT/ELITE CAP MOUNTING PROFILE + BOLT (2x)	9.20
5	1500602360	LOWER FIXATION KIT INSIDE (2x)	7.80
6	1500600434	ANGLE SUPPORT RAIL NORMAL	7.80
6	1500600436	ANGLE SUPPORT RAIL LIFT	7.80
6	1500601518	ANGLE SUPPORT RAIL DUCATO	7.80
7	308184	SPORT/ELITE BIKE HOLDER #1 (14 CM)	10.08
8	308185	SPORT/ELITE BIKE HOLDER #2 (28 CM)	12.61
9	308188	SPORT/ELITE BIKE HOLDER #2/3 (33 CM)	14.29
10	308186	SPORT/ELITE BIKE HOLDER #3 (42 CM)	14.29
11	308187	SPORT/ELITE BIKE HOLDER #4 (56 CM)	15.97
12	1500602020	KNOB WITH NUT	2.00
13	1500600550	SHELLS 30/34 FOR BIKE HOLDERS (10x)	3.00
14	1500601970	STRAP 15 MM BLUE L=2,0M	2.60
15	1500601361	SPORT RACKCLIP	2.40
16	1500601988	TUBE PLUG BLACK DIA 34	1.00
17	1500600531	SPORT HINGE COVERS	3.60
18	1500601360	SPORT PLATFORM HOLDER (2x)	5.20
19	1500600544	SPORT SERRATED PIECES	7.00
20	1500601989	CONNECTION PIECE DIA. 34/30	1.00
21	1500600543	SPORT T-PIECES	7.40
22	1500601356	SPORT ENDCAP V-RAIL (4x)	3.80
23	308173	SPORT V-RAIL COMPLETE	36.20
24	1500601974	FOOT SUPPORT OMNIBIKE	5.20
25	1500601358	SPORT WHEEL STRAPS (x6)	13.40
26	1500600546	ELITE SERRATED PIECES	8.60
27	1500600566	ELITE HINGE COVERS	4.60
28	1500600547	ELITE T-PIECES	7.60
29	1500600545	ELITE CONNECTION PIECES (TUBES 48/42)	3.60
30	1500600551	ELITE WHEEL HOLDER	4.80



## 2013 SPARE PARTS LIST

**THULE**  
SWEDEN

### Sport & Elite - common parts

BA812-00

31	1500601999	ELITE PLATFORM HOLDER	4.00
32	1500600553	ELITE END CAP BIKE RAIL (x4)	3.80
33	1500600552	ELITE RAILSLIDER	7.20
34	1500600580	ELITE RAIL WITHOUT RAILSLIDERS	48.80
34	1500600581	ELITE RAIL WITH RAILSLIDERS	59.80
35	1500602021	ELITE RACK CLIP	1.40
36	1500602405	MOUNTING RAIL SECURITY PIN (x100)	33.20

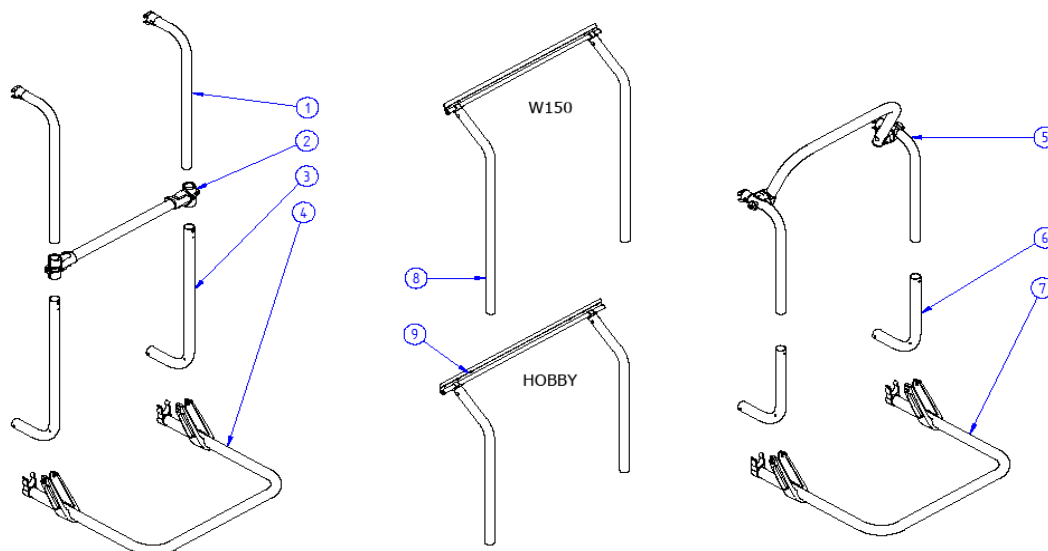
# 2013 SPARE PARTS LIST

Sport LV - Sport SV - Sport W150 - Sport Hobby

**THULE**  
SWEDEN

BA718-00

**THULE**  
THULE GROUP



THULE Sport - Sport SV - Sport W150 - Sport Hobby

BA718-00

ART.NR.	DESCRIPTION	RETAIL € (ex.VAT)
<b>Sport long version</b>		
1	1500600530 SPORT ARM (1x)	30.20
2	1500600535 SPORT CROSSBAR + T-PIECES	13.60
3	1500600536 SPORT BODY (1x)	22.60
4	1500602361 SPORT PLATFORM WITHOUT RAILS	67.00
<b>Sport short version - 2 bikes</b>		
5	1500600541 SPORT VS ARMS + CROSSBAR	46.00
6	1500600542 SPORT SV BODY (1x)	16.20
7	1500602361 SPORT PLATFORM WITHOUT RAILS	67.00
<b>Sport W150 &amp; Sport Hobby - 2 bikes</b>		
8	1500601502 SPORT W150 ARM+SUSPENSION PROFILE	34.00
9	1500601503 SPORT HOBBY ARM+SUSPENSION PROFILE	30.40

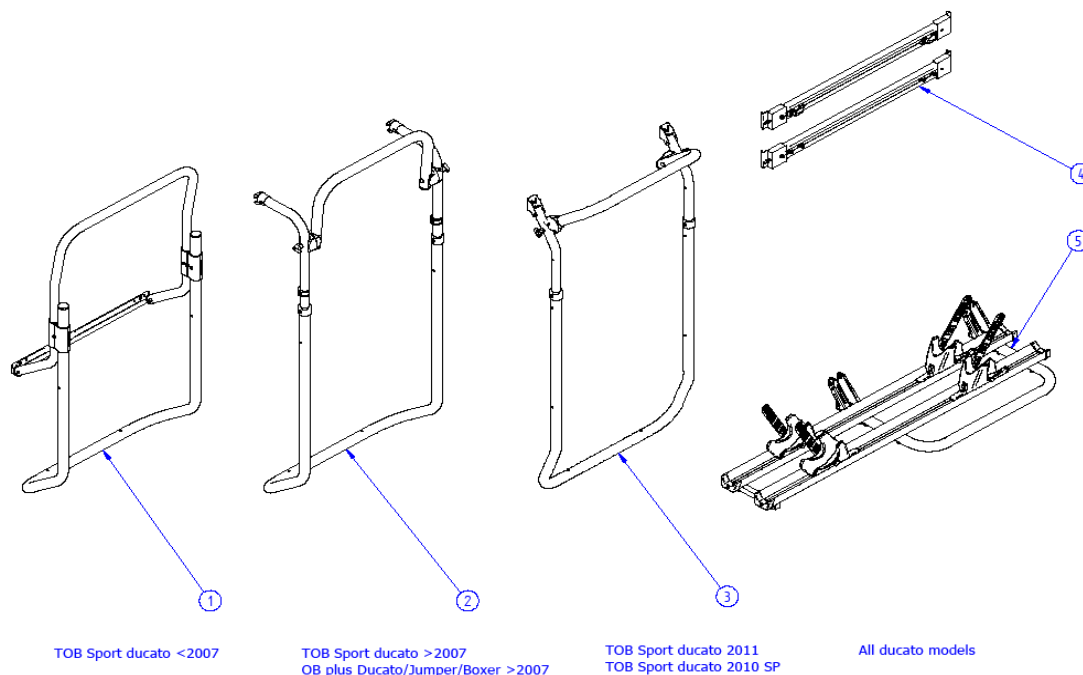
# 2013 SPARE PARTS LIST

## Sport Ducato - 2 bikes

**THULE**  
SWEDEN

BA808-00

**THULE**  
SWEDEN



THULE Sport Ducato before 2007 - Ducato 2007 to 2010 - Ducato since 2011

BA808-00

	ART.NR.	DESCRIPTION	RETAIL € (ex.VAT)
1	1500601519	SPORT DUCATO 2006 FRAME	97.80
2	1500601520	SPORT DUCATO 2007 FRAME	66.80
3	1500602362	SPORT DUCATO 2011 FRAME	77.40
4	308163	SPORT DUCATO MOUNTING RAILS	147.60
5	1500602363	SPORT DUCATO PLATFORM COMPLETE	67.00

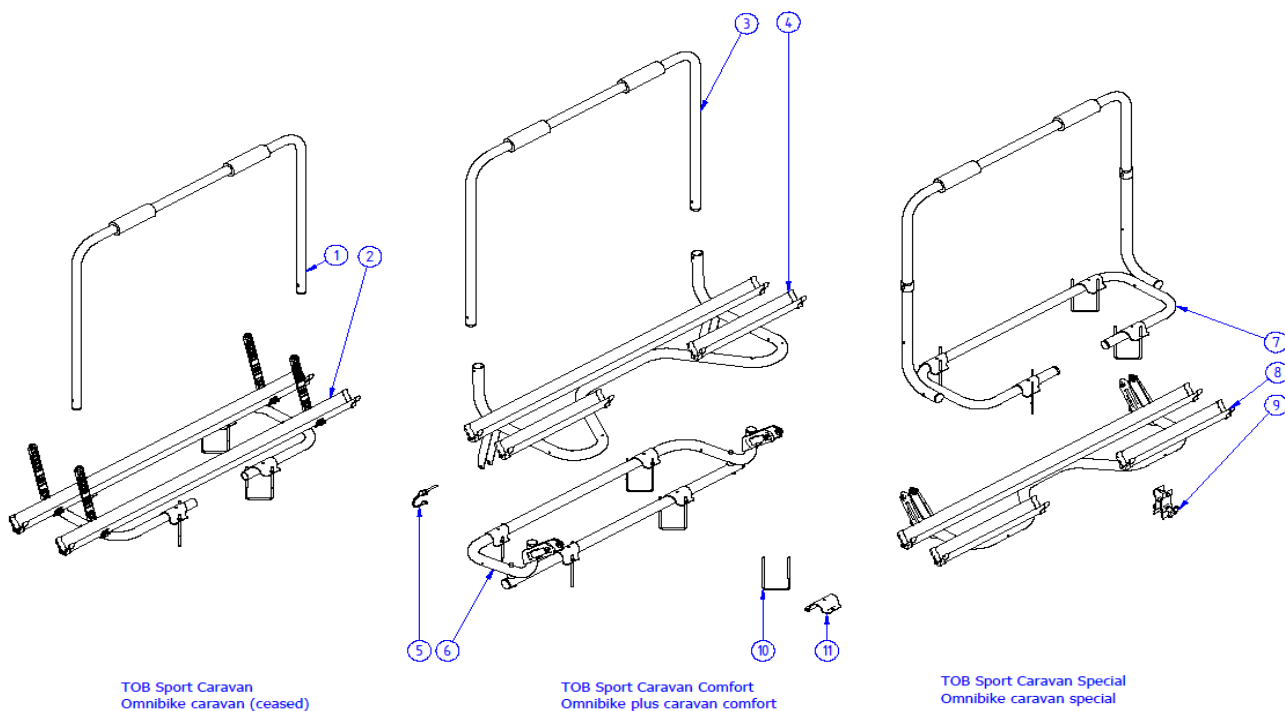
# 2013 SPARE PARTS LIST

Sport caravan - Sport caravan comfort - Sport caravan special

**THULE**  
SWEDEN

BA809-00

**THULE**  
SWEDEN



THULE Sport Caravan - Caravan Comfort - Caravan Special

BA809-00

	ART.NR.	DESCRIPTION	RETAIL € (ex.VAT)
<b>Sport caravan - 2 bikes</b>			
1	1500601510	SPORT CARAVAN BASEFRAME	34.00
2	1500601511	SPORT CARAVAN PLATFORM COMPLETE	92.80
<b>Sport caravan comfort - 2 bikes</b>			
3	1500601517	SPORT CAR.COMFORT SUPPORT BAR	22.40
4	1500600477	SPORT CAR.COMFORT PLATFORM COMPLETE	87.00
5	1500601981	SPORT CAR.COMFORT SECURITY PIN (1X)	3.60
6	1500601496	SPORT CAR.COMFORT BASE WITH LOAD TUBE	71.60
<b>Sport caravan special - 2 bikes</b>			
7	1500601497	SPORT CARAVAN SPECIAL BASE + SUPPORT BAR	76.20
8	1500601498	SPORT CARAVAN SPECIAL PLATFORM COMPLETE	88.20
9	1500601495	SPORT CARAVAN SPECIAL SUPPORT FOR PLATFORM (1x)	8.20
<b>Common parts for all A-frames</b>			
10	1500601980	U-BOLT M6 x 135/78/135	3.00
11	1500601975	FIXATION PLATE D30 LH, for caravan & special	5.20
11	1500601976	FIXATION PLATE D30 RH, for caravan & special	5.20
11	1500601977	FIXATION PLATE D34 LH, for comfort	5.20
11	1500601978	FIXATION PLATE D34 RH, for comfort	5.20

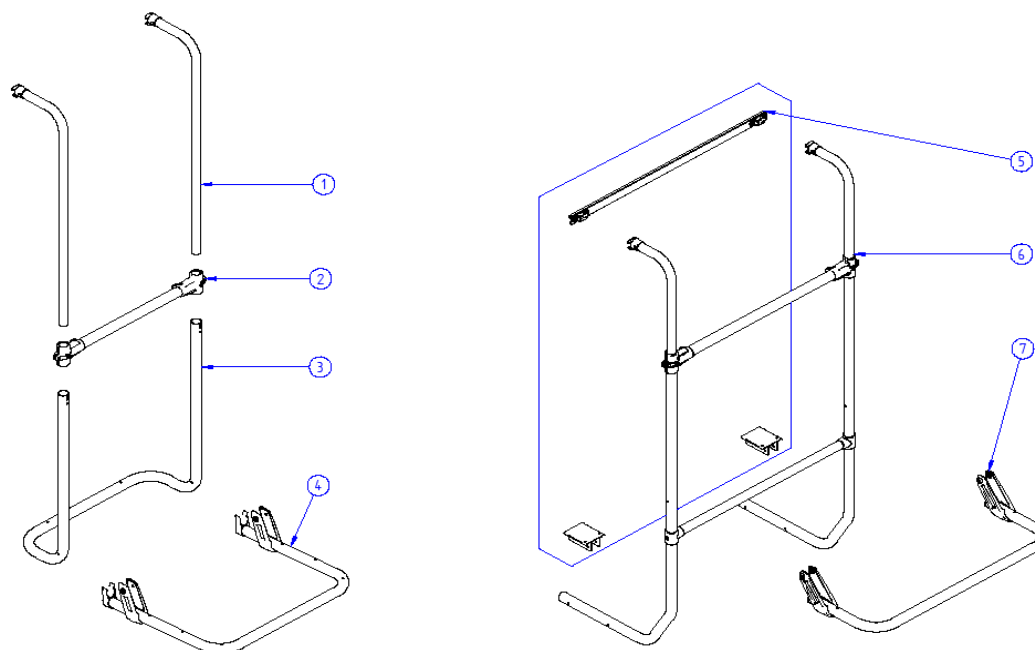
# 2013 SPARE PARTS LIST

Sport caravan tour - Sport caravan universal

**THULE**  
SWEDEN

BA810-00

**THULE**  
SWEDEN



THULE Sport caravan tour - Sport caravan universal

BA810-00

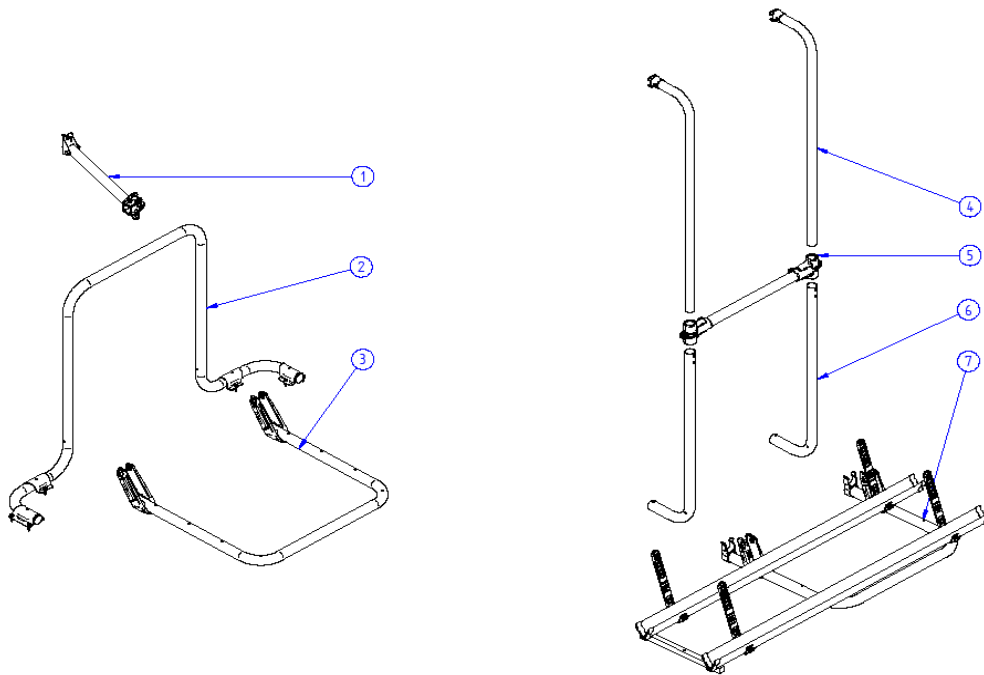
	ART.NR.	DESCRIPTION	RETAIL € (ex.VAT)
<b>Sport caravan tour - 2 bikes</b>			
1	1500602023	SPORT CARAVAN TOUR ARM (1x)	15.20
2	1500600535	SPORT CROSSBAR + T-PIECES	13.60
3	1500601965	SPORT CARAVAN TOUR BODY	32.60
4	1500602361	SPORT PLATFORM WITHOUT RAILS	67.00
<b>Sport caravan universal - 2 bikes</b>			
5	1500601512	SPORT CAR.UNIVERSAL FIXATION PROFILE	23.20
6	1500601513	SPORT CAR.UNIVERSAL FRAME COMPLETE	105.80
7	1500602364	SPORT CAR.UNIVERSAL PLATFORM WITHOUT RAILS	72.20

**2013 SPARE PARTS LIST**  
Sport garage - Sport 2 doors

**THULE**  
SWEDEN

BA811-00

**THULE**  
sweden



THULE Sport garage - Sport 2 doors

BA811-00

ART.NR.	DESCRIPTION	RETAIL € (ex.VAT)
<b>Sport 2 garage - 2 bikes</b>		
1	SPORT GARAGE WALL FIXATION	13.00
2	SPORT GARAGE FRAME	46.60
3	SPORT GARAGE PLATFORM WITHOUT RAILS	77.40
<b>Sport 2 doors - 2 bikes</b>		
4	SPORT ARM (1x)	30.20
5	SPORT 2 DOORS CROSSBAR + T-PIECES	14.00
6	SPORT 2 DOORS BODY	32.40
7	SPORT 2 DOORS PLATFORM COMPLETE	90.00

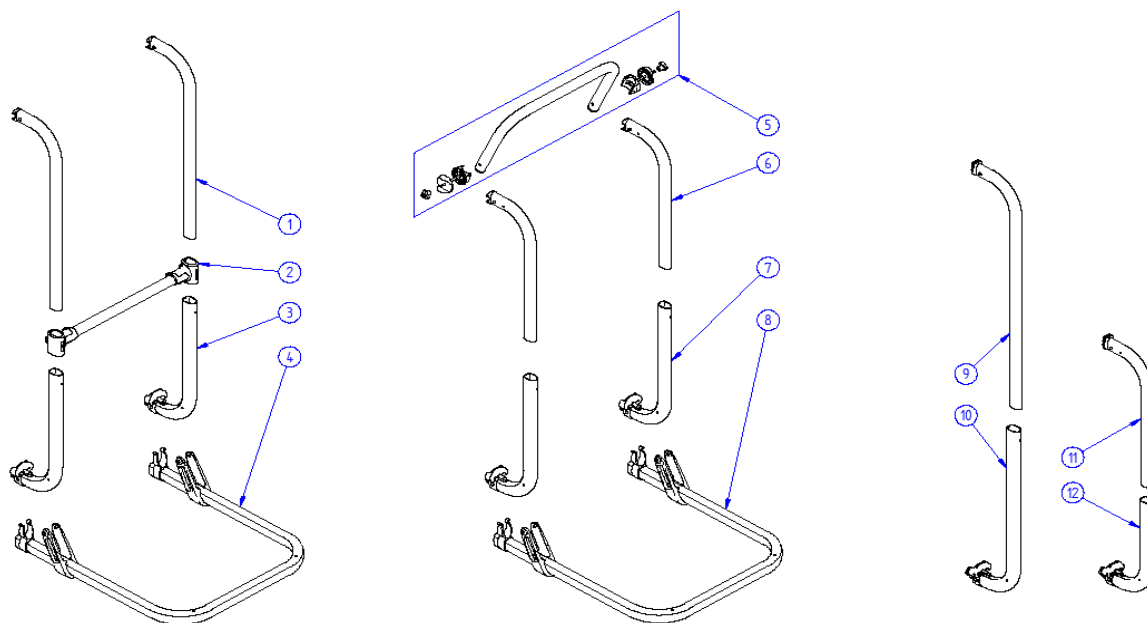
# 2013 SPARE PARTS LIST

Elite LV - Elite SV - Elite FH - Elite HH

**THULE**  
SWEDEN

EL715-00

**THULE**  
SWEDEN



THULE Elite - Elite SV - Elite FH & HH - Elite FH SV

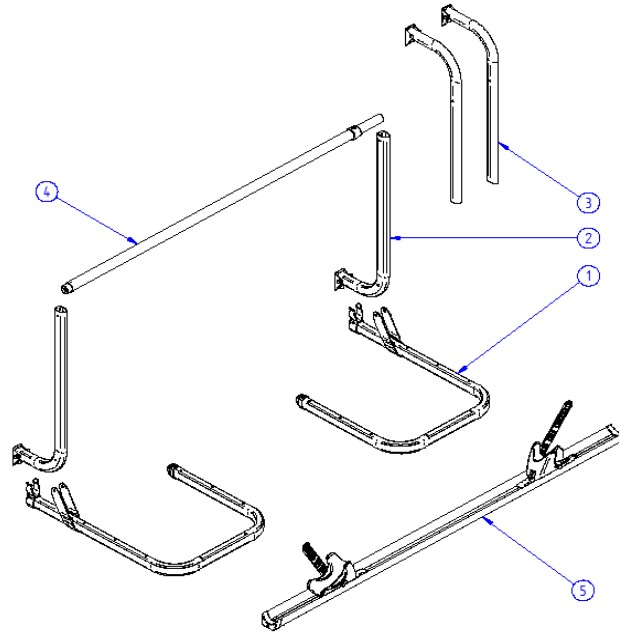
EL715-00

ART.NR.	DESCRIPTION	RETAIL € (ex.VAT)
<b>Elite long version - 2 bikes</b>		
1	1500600563 ELITE ARM (1x)	25.80
2	1500600577 ELITE CROSSBAR + T-PIECES	16.20
3	1500600578 ELITE BODY (1x)	28.40
4	1500602366 ELITE PLATFORM WITHOUT RAILS	77.40
<b>Elite short version - 2 bikes</b>		
5	1500600582 ELITE SV CROSSBAR	18.60
6	1500600583 ELITE SV ARM (1x)	20.60
7	1500600584 ELITE SV BODY (1x)	28.40
8	1500602366 ELITE PLATFORM WITHOUT RAILS	77.40
<b>Elite FH &amp; HH &amp; FH SV - 2 bikes</b>		
9	1500602367 ELITE FH HH ARM (1x)	25.80
10	1500602368 ELITE FH HH BODY (1x)	28.40
11	1500602369 ELITE FH SV ARM (1X)	20.60
12	1500602370 ELITE FH SV BODY (1X)	28.40

**2013 SPARE PARTS LIST**  
Elite Eura Cargo - 3 bikes

**THULE**  
SWEDEN  
OBM725-00

**THULE**  
SWEDEN



THULE Omnibike Elite Euracargo

OBM725-00

	ART.NR.	DESCRIPTION	RETAIL € (ex.VAT)
1	1500601710	ELITE EURA CARGO PLATFORM (2x)	103.00
2	1500600463	ELITE EURA CARGO BASEFRAME BASE (1x)	28.40
3	1500602176	ELITE EURA CARGO BASEARM (1x)	20.60
4	1500602177	ELITE EURA CARGO CROSSBAR	30.00
5	1500602371	ELITE EURA CARGO BIKERAIL 157cm	67.00



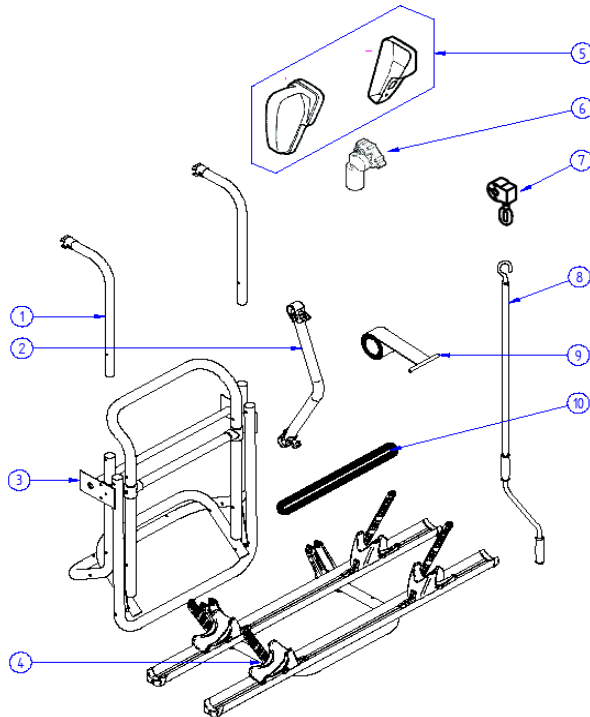
# 2013 SPARE PARTS LIST

Lift - 2 bikes

**THULE**  
SWEDEN

OBL708-00

**THULE**  
SWEDEN



THULE Lift since 2010

OBL708-00

	ART.NR.	DESCRIPTION	RETAIL € (ex.VAT)
1	1500602372	LIFT ARM (1x)	25.80
2	1500602048	LIFT TIE TUBE	28.40
3	1500602106	LIFT FRAME COMPLETE 481MM, SINCE 2010	118.60
3	1500602108	LIFT FRAME COMPLETE 511MM is not available anymore	
4	1500602373	LIFT PLATFORM COMPLETE, SINCE 2010	134.00
5	1500600505	LIFT 12V MOTOR COVER - 2PCS	51.60
6	1500600504	LIFT 12V MOTOR	207.80
7	1500601972	LIFT MANUAL GEAR	25.40
8	1500601973	LIFT MANUAL HAND CRANK	15.20
9	1500600467	LIFT STRAP - 2PCS	9.20
10	1500602000	LIFT RUBBER ELASTIC	2.20

# 2013 SPARE PARTS LIST

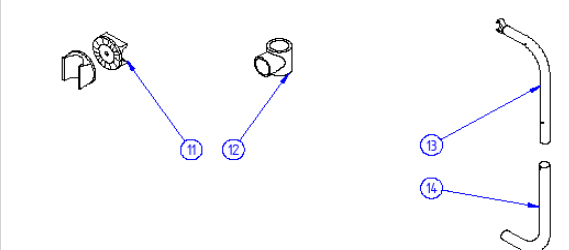
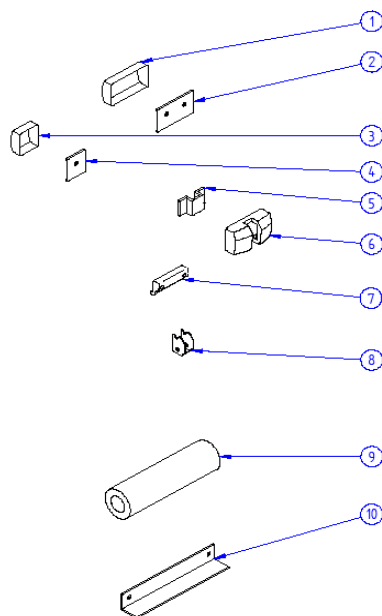
OB & OB+ & OB deluxe - common parts

**THULE**  
SWEDEN

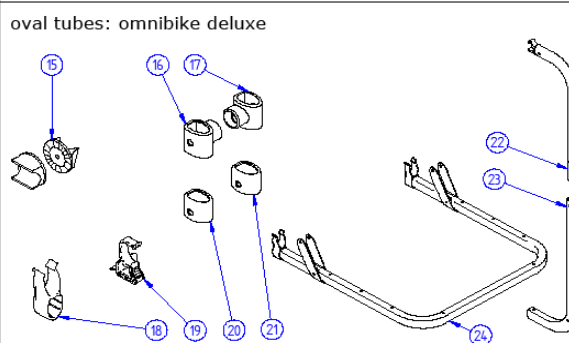
BI700-01

**THULE**  
SWEDEN

All other spareparts can be found on the "Sport & Elite" pages



round tubes: omnibike & omnibike plus



oval tubes: omnibike deluxe

THULE Omnibike & Omnibike plus & Omnibike deluxe - common parts

BI700-01

	ART.NR.	DESCRIPTION	RETAIL € (ex.VAT)
1	1500601983	COVER OPPOSITE PLATE MEDIUM	0.60
2	1500600135	ALU OPPOSITE PLATE 8 CM	2.20
3	1500601984	COVER OPPOSITE PLATE SMALL	0.40
4	1500600134	ALU OPPOSITE PLATE 4 CM	2.00
5	1500600438	CARRY-ALL SUSPENSION BOW	3.20
6	1500601991	COVER OPPOSITE PLATE MEDIUM WITH HOLE	1.00
7	308147	RAIL SUPPORT HOBBY (10sets)	gen price list
8	1500601387	OMNIBIKE BLOCKING HOOK	unavailable
9	1500601359	OMNIBIKE PROTECTING FOAM (5x)	unavailable
10	1500600434	ANGLE SUPPORT NORMAL	7.80
10	1500600435	ANGLE SUPPORT TWIN	7.80
10	1500600436	ANGLE SUPPORT LIFT AUTOSTAR	7.80
10	1500600437	ANGLE SUPPORT DELUXE	16.20
10	1500600446	ANGLE SUPPORT OB HOBBY	unavailable
10	1500601518	ANGLE SUPPORT DUCATO	7.80
11	1500601990	OMNIBIKE SV SADDLE WASHER (round fit, 1x)	1.80
12	1500601987	T-PIECE OMNIBIKE+	2.60
13	1500602002	OMNIBIKE 2 BIKES ARM (1X)	26.00
13	1500601732	OMNIBIKE 3 BIKES ARM (1X)	30.40
13	1500602017	OMNIBIKE SV 3 OR 4 BIKES ARMS + CROSSBAR	128.80
14	1500600449	OMNIBIKE 2 BIKES BODY (1X)	29.00
14	1500600450	OMNIBIKE 3 BIKES BODY (1X)	33.40
14	1500600500	OMNIBIKE SV 2 BIKES BODY (1X)	26.00
14	1500601715	OMNIBIKE SV 3 OR 4 BIKES BODY (1X)	30.40
15	1500601996	OMNIBIKE DELUXE SADDLE WASHER (oval fit, 1X)	1.80
16	1500601994	OMNIBIKE DELUXE T-PIECE LH	2.40
17	1500601995	OMNIBIKE DELUXE T-PIECE RH	2.40
18	1500601992	OMNIBIKE DELUXE ENDCAP PLATFORM	2.20
19	1500601993	OMNIBIKE DELUXE RACKHOLDER	1.80
20	1500601997	OMNIBIKE DELUXE LH CONNECTION PIECE OVAL 42/37	1.20
21	1500601998	OMNIBIKE DELUXE RH CONNECTION PIECE OVAL 42/37	1.20
22	1500600462	OMNIBIKE DELUXE ARM (1X)	27.60

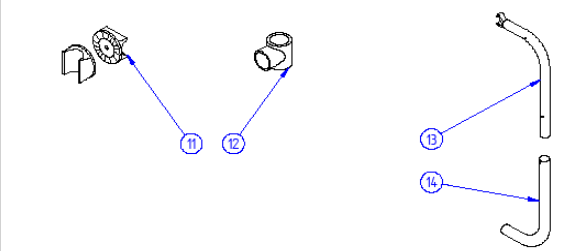
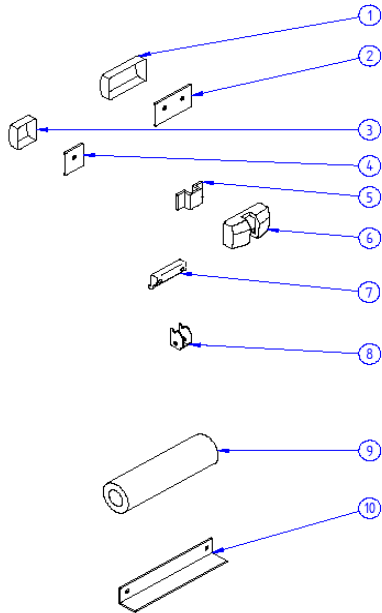
# 2013 SPARE PARTS LIST

OB & OB+ & OB deluxe - common parts



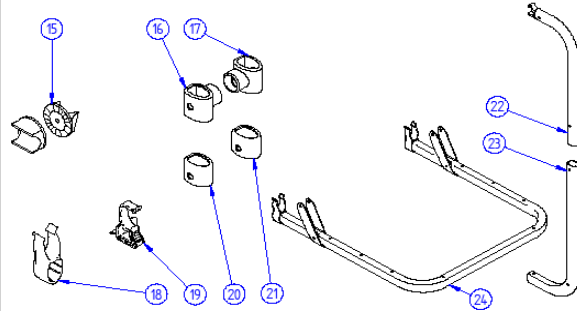
BI700-01

22	1500602003	OMNIBIKE DELUXE SV ARMS + CROSSBAR	128.80
23	1500600463	OMNIBIKE DELUXE BODY (1X)	28.40
23	1500602004	OMNIBIKE DELUXE SV BODY (1X)	29.00
24	1500602376	OMNIBIKE DELUXE PLATFORM WITHOUT RAILS	77.40



round tubes: omnibike & omnibike plus

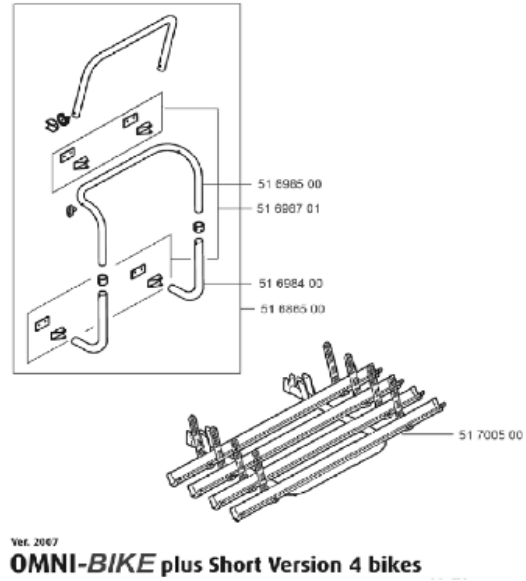
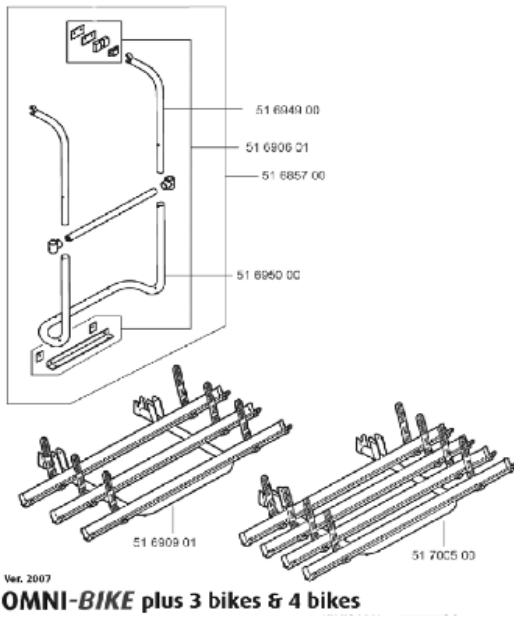
oval tubes: omnibike deluxe



THULE Omnibike & Omnibike plus & Omnibike deluxe - common parts

BI700-01

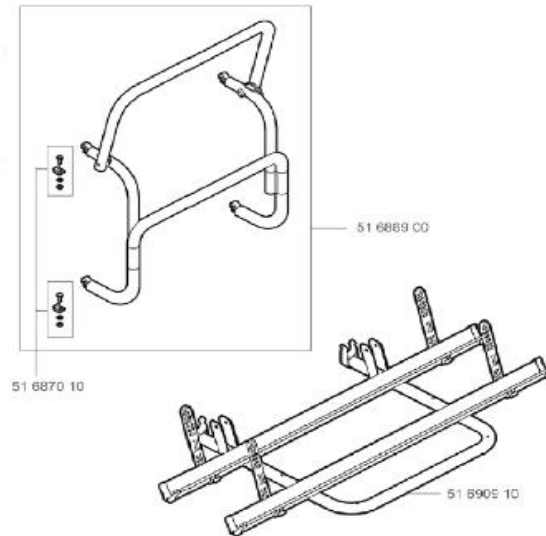
**2013 SPARE PARTS LIST**  
**OB plus & OB plus short version**



THULE Omnibike plus - normal and short version

BI701-01

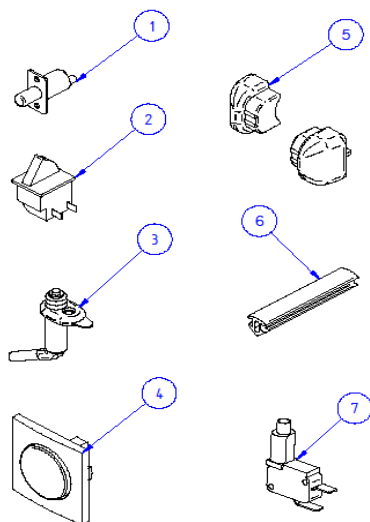
	ART.NR.	DESCRIPTION	RETAIL € (ex.VAT)
51694900	1500600497	OMNIBIKE PLUS ARM (1X)	33.20
51690601	1500600486	OMNIBIKE PLUS FIXATION KIT	32.40
51685700	1500600470	OMNIBIKE PLUS COMPLETE FRAME	138.60
51695000	1500600498	OMNIBIKE PLUS BODY	72.20
51690901	1500600488	OMNIBIKE PLUS PLATFORM COMPLETE 3 BIKES	147.40
51700500	1500600509	OMNIBIKE PLUS PLATFORM COMPLETE 4 BIKES	180.60
51698500	1500601463	OMNIBIKE PLUS SV ARM (1X)	62.20
51698701	1500602019	OMNIBIKE PLUS SV FIXATION KIT	32.40
51698400	1500602018	OMNIBIKE PLUS SV BODY (1X)	31.80
51686500	1500601778	OMNIBIKE PLUS SV COMPLETE FRAME	131.00
51700500	1500600509	OMNIBIKE PLUS PLATFORM COMPLETE 4 BIKES	180.60



THULE Omnibike plus - E

BI781-00

	ART.NR.	DESCRIPTION	RETAIL € (ex.VAT)
51686900	1500602012	OMNIBIKE PLUS E COMPLETE FRAME	132.00
51687010	1500602013	OMNIBIKE PLUS E FIXATION SET	7.00
51690910	1500602016	OMNIBIKE PLUS E COMPLETE PLATFORM 2 BIKES	101.40



THULE general parts steps

OSE601-02

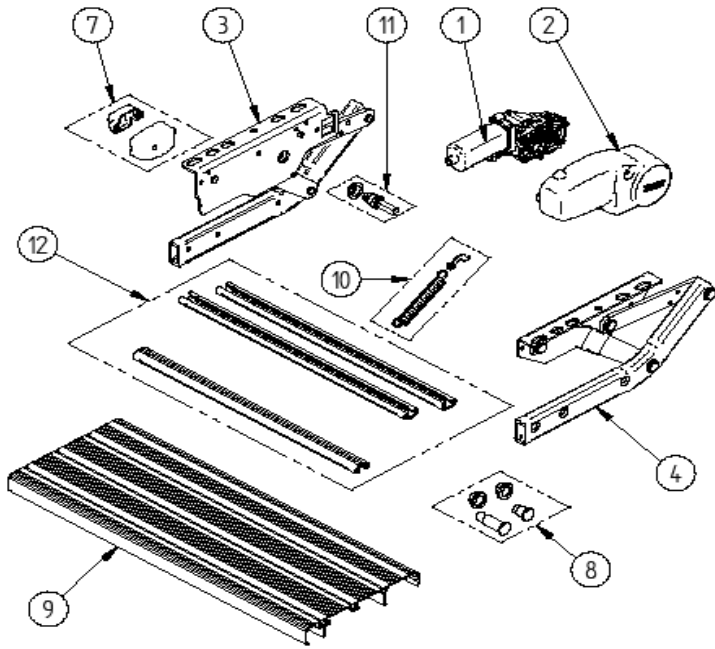
	ART.NR.	DESCRIPTION	RETAIL € (ex.VAT)
1	1500601922	DOOR SWITCH ELECTRONIC	12.00
2	1500601921	ALARM SWITCH FOR SINGLE STEP AND SLIDE-OUT STEP	9.40
3	1500600394	ALARM SWITCH FOR MANUAL STEP 47	9.40
4	1500600404	CONTROL SWITCH	11.80
5	1500601378	LH & RH PLUG FOOTBOARD	5.60
6	1500600433	ANTI-SLIP FOOTB.V03-3MTR-BLACK	4.00
7	1500602669	ALARM SWITCH FOR DOUBLE STEP	10.40

**2013 SPARE PARTS LIST**  
Thule SINGLE STEP V10

**THULE**  
SWEDEN

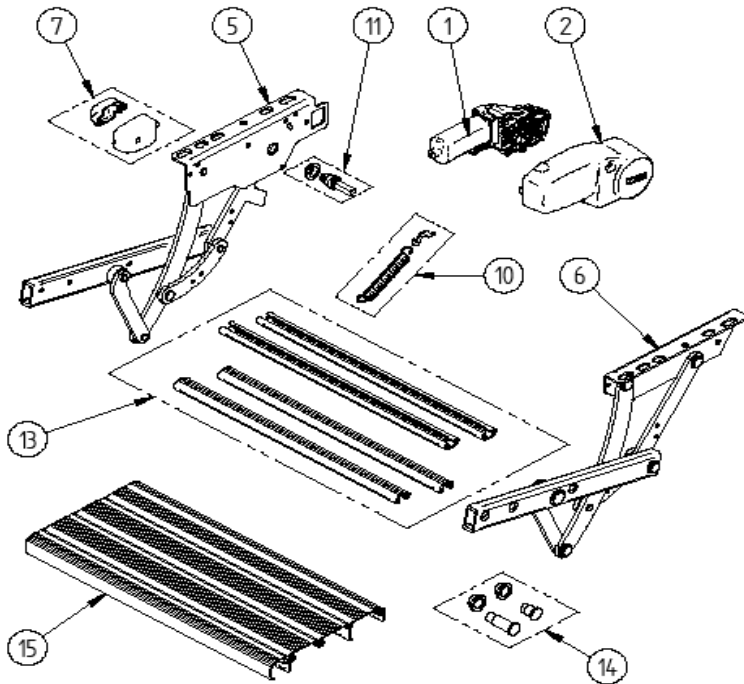
V01 - OSE600 / OSE602

**THULE**



THULE Single step V10 12V & Manual

OSE600-00



THULE Single step V10 12V460 Short

OSE602-00

**2013 SPARE PARTS LIST****Thule SINGLE STEP V10****V01 - OSE600 / OSE602**

	ART.NR.	DESCRIPTION	RETAIL € (ex.VAT)
1	1500602263	12V MOTOR THULE STEP V10	64.40
2	1500602264	MOTOR COVER THULE STEP V10	10.80
3	1500602265	LH SIDE ASSY THULE STEP V10	59.00
4	1500602266	RH SIDE ASSY THULE STEP V10	59.00
5	1500602267	LH SIDE ASSY THULE STEP V10 SHORT	80.40
6	1500602268	RH SIDE ASSY THULE STEP V10 SHORT	80.40
7	1500602272	SWITCH PROTECTION COVER V10 (2PCS)	10.80
8	1500602273	REPAIR KIT RIVET THULE STEP V10	10.80
9	308251	FOOT BOARD SINGLE STEP 12V460	34.40
	1500602271	FOOT BOARD SINGLE STEP 12V520	36.60
	308253	FOOT BOARD SINGLE STEP 12V550 – MANUAL 550	36.60
10	1500602274	SPRING ASSY THULE STEP V10 (2PCS)	10.80
11	1500602275	MOTOR SHAFT AND BUSHING V10	13.00
12	1500602276	CON.PROFILES THULE STEP 460 V10 (3PCS)	16.20
	1500602277	CON. PROFILES THULE STEP 520 V10 (3PCS)	16.20
	1500602278	CON. PROFILES THULE STEP 550 V10 (3PCS)	17.80
13	1500602279	CON PROFILES THULE STEP 460 V10 SHORT (4PCS)	21.60
14	1500602269	REPAIR KIT RIVET THULE STEP V10 SHORT	14.00
15	1500602270	FOOT BOARD 12V460 SHORT V10	34.40

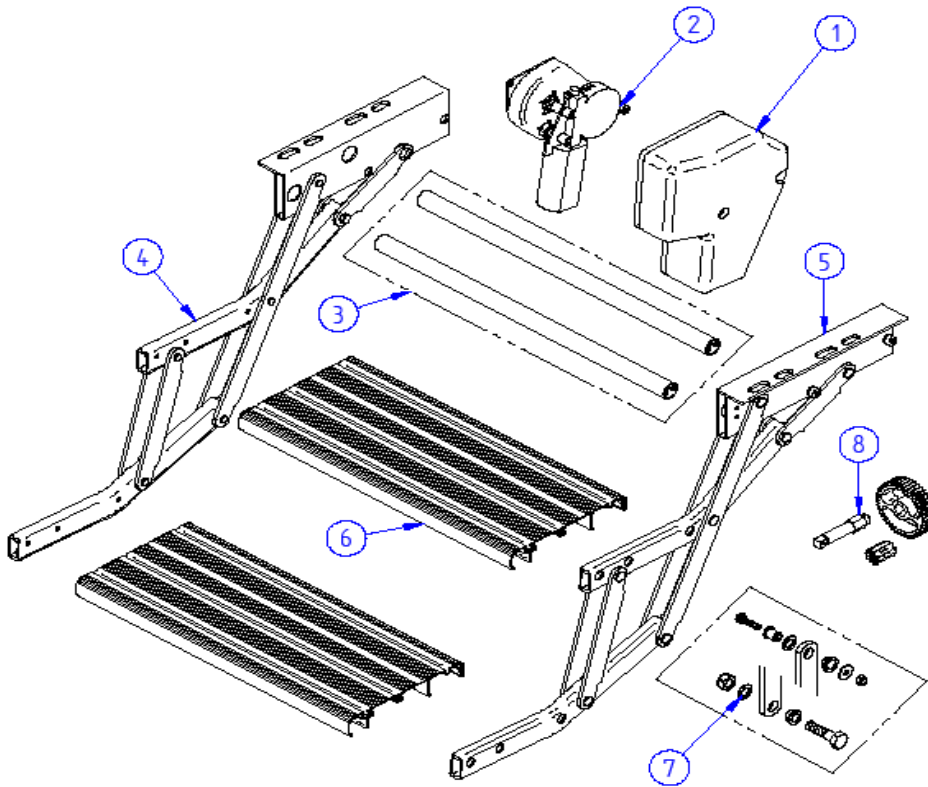


**2013 SPARE PARTS LIST**  
**Thule DOUBLE STEP**

**THULE**  
SWEDEN

V01 – DDS 605-00

**THULE**  
SWEDEN



THULE Double step 12V ALU

DDS605-00

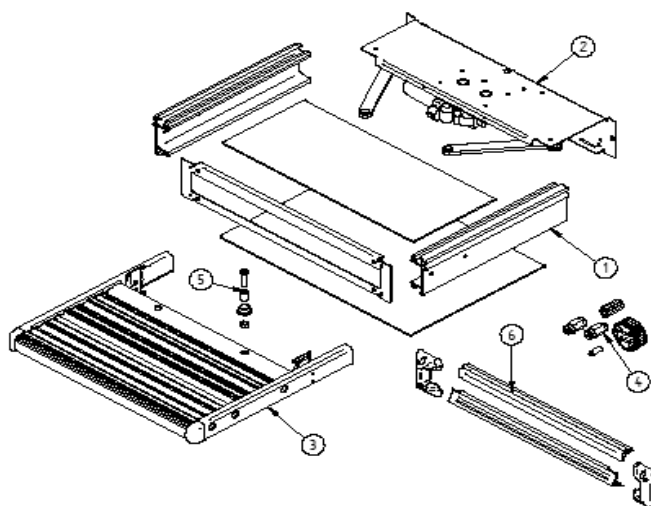
	ART.NR.	DESCRIPTION	RETAIL € (ex.VAT)
1	1500600410	MOTOR CAP DOUBLE STEP (2PCS)	51.60
2	1500600416	12V MOTOR ASSY DOUBLE STEP	125.80
3	1500601928	FRAME CON. TUBE D12V380 – 2PC	11.80
	1500600417	FRAME CON. TUBE D12V440 – 2PC	11.80
	1500601432	FRAME CON. TUBE D12V500 – 2PC	11.80
	1500602280	FRAME CON. TUBE D12V550 – 2PC	13.00
4	1500600418	LH SCISSOR ASSY DOUBLE STEP	107.40
5	1500600419	RH SCISSOR ASSY DOUBLE STEP	107.40
6	308249	FOOT BOARD DOUBLE STEP12V380 – 2PC	68.60
	308250	FOOT BOARD DOUBLE STEP12V440 – 2PC	68.60
	308252	FOOT BOARD DOUBLE STEP12V500 – 2PC	73.00
	1500602281	FOOT BOARD DOUBLE STEP12V550 – 2PC	73.00
7	1500601154	REPAIR KIT RIVET DOUBLE STEP	14.00
8	1500602282	REPAIR KIT PINION DOUBLE STEP	30.40

**2013 SPARE PARTS LIST**  
**Thule SLIDE-OUT STEP 12V**

**THULE**  
SWEDEN

SDA 616-00

**THULE**

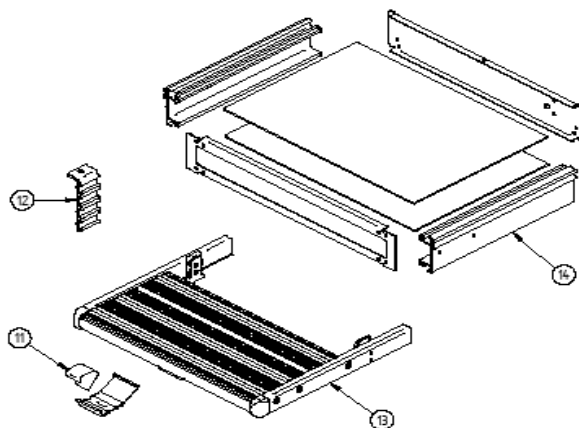


THULE Slide out 12V

SDA616-00

	ART.NR.	DESCRIPTION	RETAIL € (ex.VAT)
1	1500601145	FRAME SLIDE OUT 400x310 (*)	71.60
	1500601146	FRAME SLIDE OUT 400x390 (*)	71.60
	1500601147	FRAME SLIDE OUT 400x420 (*)	71.60
	1500601757	FRAME SLIDE OUT 550x390 (*)	89.60
	1500601534	FRAME SLIDE OUT 550x420 (*)	89.60
	1500601148	FRAME SLIDE OUT 700x420 (*)	107.40
2	1500601138	MOTOR COMPLETE S/O 400x310 (*)	174.20
	1500601139	MOTOR COMPLETE S/O 400x390/420 (*)	174.20
	1500601713	MOTOR COMPLETE S/O 550x390/420 (*)	179.20
	1500601140	MOTOR COMPLETE S/O 700x420 - V2003 (*)	186.20
3	1500601141	FOOTBOARD COMPL. SLIDE OUT 400x310 (*)	89.60
	1500601142	FOOTBOARD COMPL. SLIDE OUT 400x390 (*)	89.60
	1500601143	FOOTBOARD COMPL. SLIDE OUT 400x420 (*)	89.60
	1500601756	FOOTBOARD COMPL. SLIDE OUT 550x390 (*)	107.40
	1500601731	FOOTBOARD COMPL. SLIDE OUT 550x420 (*)	107.40
	1500601144	FOOTBOARD COMPL. SLIDE OUT 700x420 (*)	125.40
4	1500602377	REPAIR KIT PINION SLIDE-OUT	30.40
5	1500601156	REPAIR KIT CONNECTION FOOTBOARD S/O DD	5.00
6	1500601379	DIRT PROTECTION SLIDE OUT 400	12.20
	1500601380	DIRT PROTECTION SLIDE OUT 550	13.60
	1500601381	DIRT PROTECTION SLIDE OUT 700	15.00

	(*)	420 = Standard step	
		390 = Special step : Hobby / Sprinter / Trigano	
		310 = Special step : Hymer Exsis	



THULE Slide out manual

SDA618-00

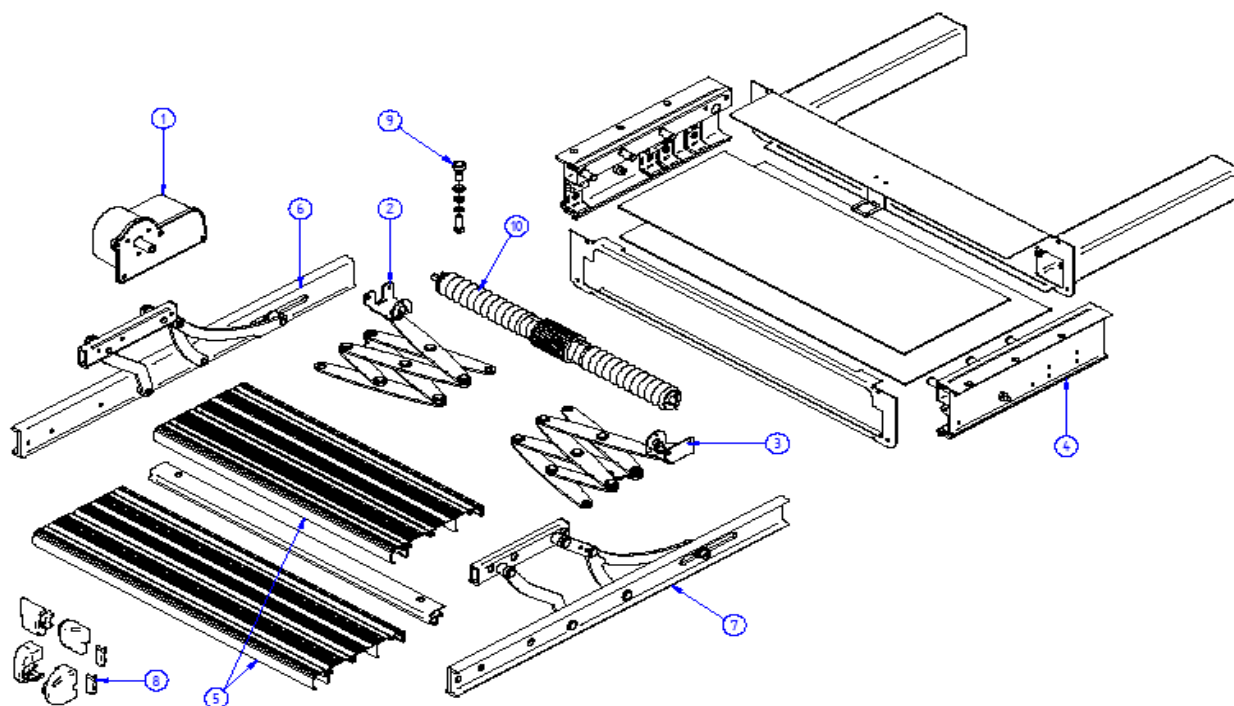
	ART.NR.	DESCRIPTION	RETAIL € (ex.VAT)
11	1500600427	LOCK SLIDE OUT MANUAL	3.80
12	1500601157	FIXATION KIT SLIDE OUT MANUAL	15.20
13	1500601779	FOOTBOARD COMPL. SLIDE OUT MANUAL	77.40
14	1500601969	FRAME SLIDE OUT MANUAL	66.60

**2013 SPARE PARTS LIST**  
**Thule SLIDE-OUT LIFT**

**THULE**  
SWEDEN

SSD 600-00

**THULE**  
SWEDEN

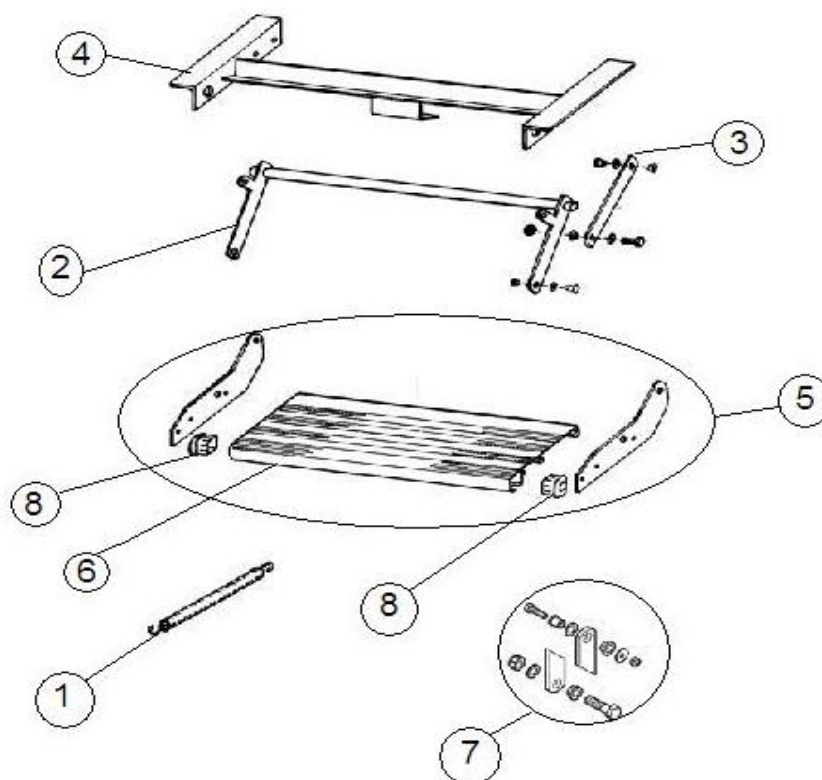


THULE Slide out 600

SSD600-00

	ART.NR.	DESCRIPTION	RETAIL € (ex.VAT)
1	1500602150	12V MOTOR ASSY SLIDE-OUT LIFT	240.00
2	1500602344	LH DRIVING SCISSOR ASSY SLIDE-OUT LIFT	93.20
3	1500602345	RH DRIVING SCISSOR ASSY SLIDE-OUT LIFT	93.20
4	1500602346	FRAME SLIDE-OUT LIFT	267.40
5	1500602347	FOOT BOARD SLIDE-OUT LIFT - 2PC	75.00
6	1500602348	LH SIDE ASSY SLIDE-OUT LIFT	61.60
7	1500602349	RH SIDE ASSY SLIDE-OUT LIFT	61.60
8	1500602350	END CAPS SLIDE-OUT LIFT - 6PC	13.40
9	1500602149	GEAR NUT REPAIR KIT	61.60
10	1500602351	DRIVING SHAFT SLIDE-OUT LIFT	267.80

**2013 SPARE PARTS LIST**  
**Thule SINGLE STEP MANUAL 47**



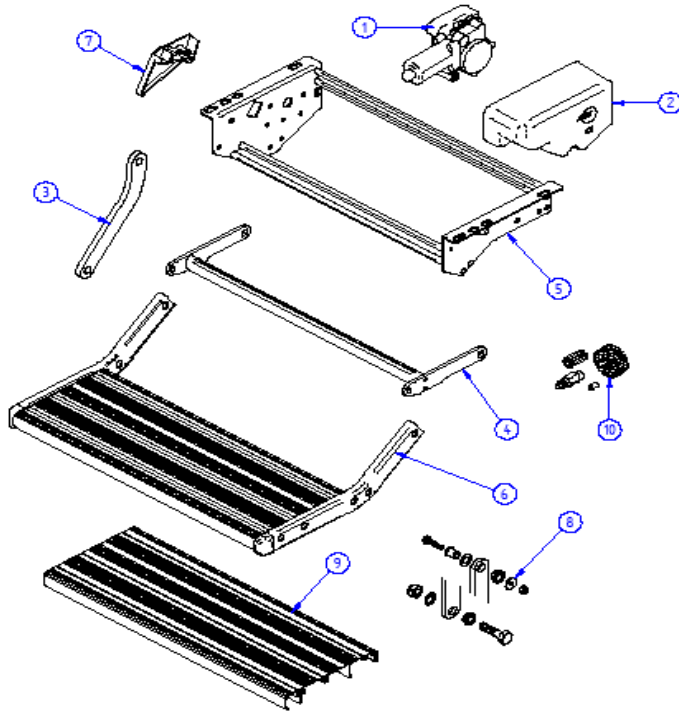
	ART.NR.	DESCRIPTION	RETAIL € (ex.VAT)
1	1500601963	SPRING MANUAL 47	3.80
2	1500601418	FRONT LINK ASSY	29.60
3	1500601962	REAR LINK MANUAL 47 (2 pcs)	11.20
4	1500600397	FRAME MANUAL 47	44.40
5	1500601420	FOOTBOARD COMPL. MANUAL 47	54.00
6	1500600402	FOOTBOARD MANUAL 47	29.00
7	1500601152	REPAIR KIT RIVET	13.00
8	1500601378	LH & RH PLUG FOOTBOARD	5.60

**2013 SPARE PARTS LIST**  
 Thule SINGLE STEP V02

**THULE**  
 SWEDEN

2S609-00

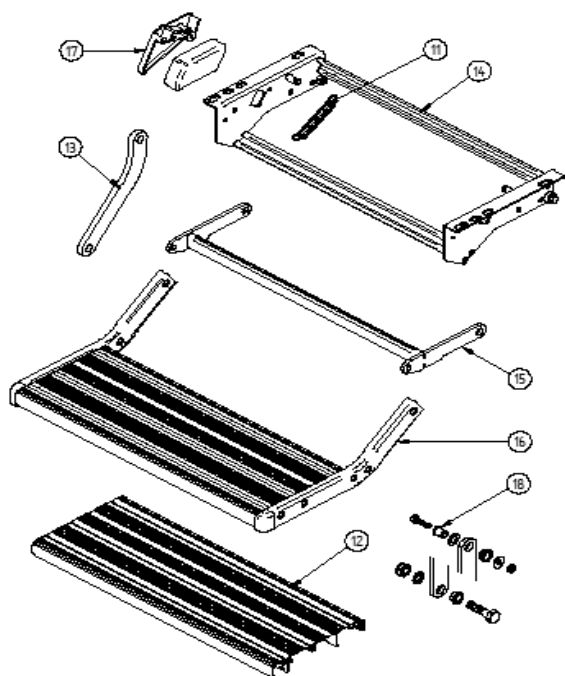
**THULE**



THULE Single step 12V ALU

2S609-00

	ART.NR.	DESCRIPTION	RETAIL € (ex.VAT)
1	1500600413	MOTOR COMPLETE	174.20
2	1500600415	MOTOR CAP	41.80
3	1500600420	FRONT LINK 550/460 (2PCS)	14.80
4	1500600421	REAR LINK 12 V 460	28.80
	1500600422	REAR LINK 12 V 550	28.80
5	1500600423	FRAME 12 V 460	59.20
	1500600424	FRAME 12 V 550	59.20
6	1500600425	FOOTBOARD 12 V 460	67.40
	1500600426	FOOTBOARD 12 V 550	67.40
7	1500601149	SWITCH PROTECTION CAP OUTSIDE	7.00
8	1500601153	REPAIR KIT RIVET V2001	13.00
9	308251	FOOT BOARD 12V460 - ANTI-SLIP	34.40
	308253	FOOT BOARD 12V550 - ANTI-SLIP	36.60
10	1500601155	REPAIR KIT PINION	30.40



THULE Single step manual ALU

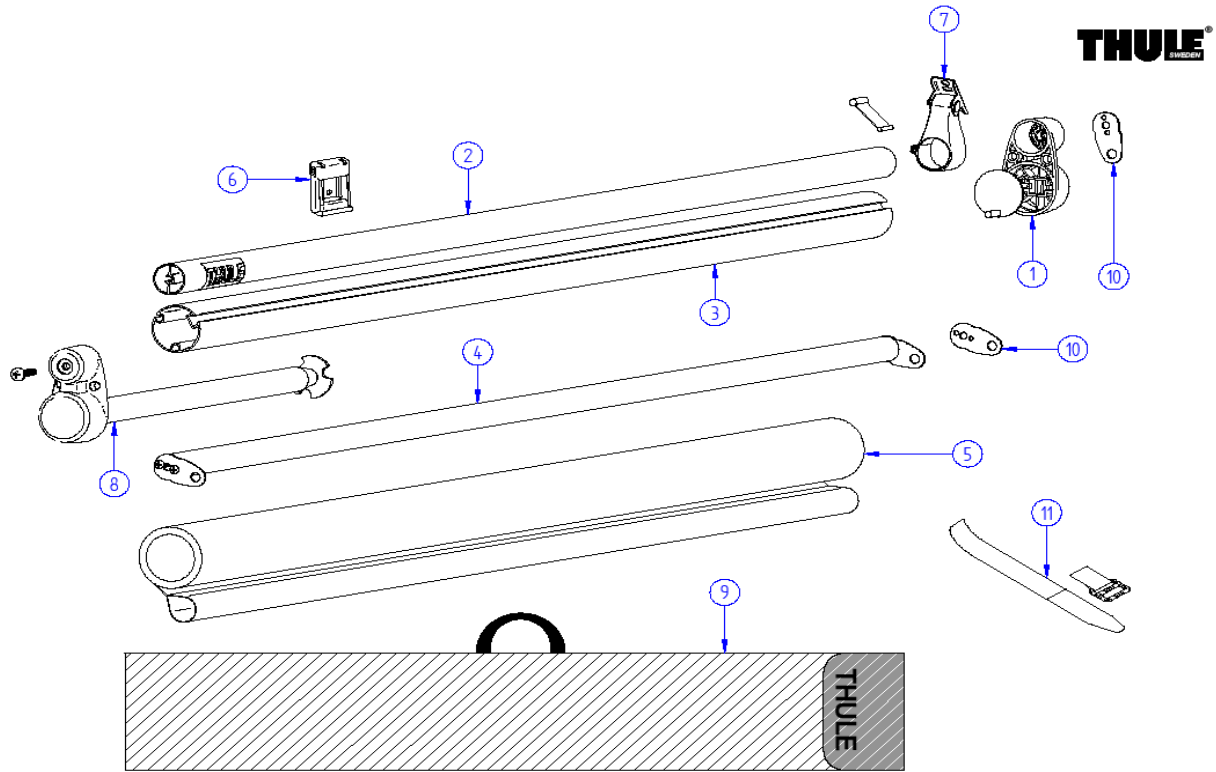
25610-00

Thule SINGLE STEP V02 MANUAL			
ART.NR.	DESCRIPTION	RETAIL € (ex.VAT)	
		€ / Excl.VAT	
11	1500601966	SPRING MANUAL 550	3.80
12	308253	FOOTBOARD MANUAL 550	36.60
13	1500600420	FRONT LINK 550 (2 pcs)	14.80
14	1500601967	FRAME MANUAL 550	59.20
15	1500601433	REAR LINK MANUAL 550	29.60
16	1500600426	FOOTBOARD COMPL. MANUAL 550	67.40
17	1500601149	SWITCH PROTECTION CAP OUTSIDE	7.00
18	1500601153	REPAIR KIT RIVET V2001	13.00

**2013 SPARE PARTS LIST**  
**WINDSCREEN**

**THULE**  
SWEDEN

**WS607**



THULE Windscreen

WS607-01

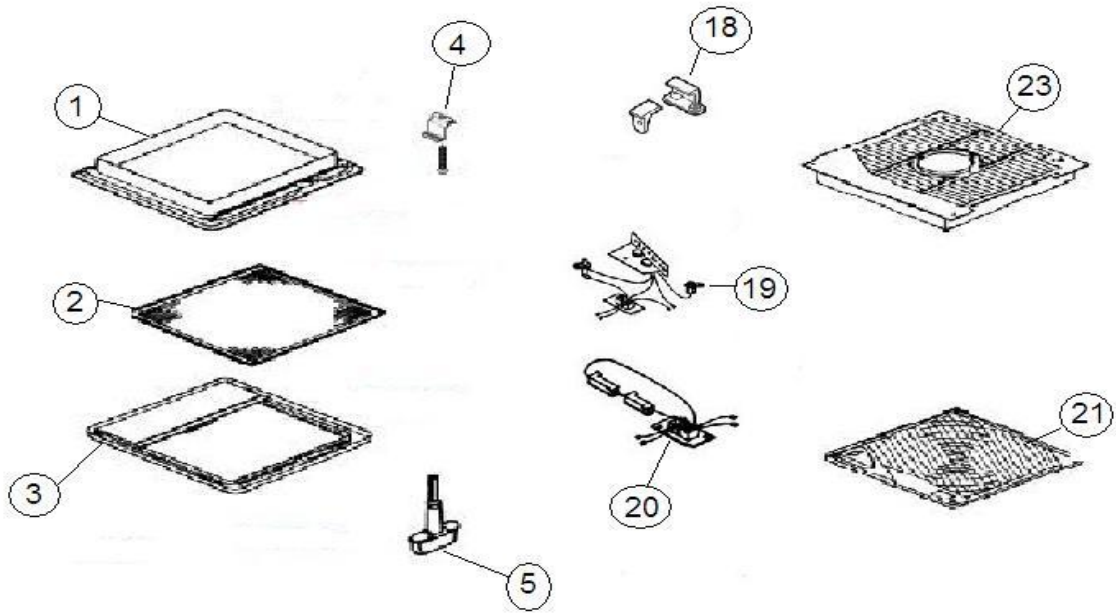
			RETAIL € (ex.VAT)
1	1500602407	ROLLER TUBE END CAP ASSY	7.00
2	1500602408	FIXATION TUBE WINDSCREEN	29.00
3	1500602409	ROLLER TUBE WINDSCREEN	37.20
4	1500602410	HANDLE ASSY WINDSCREEN	32.00
5	1500602411	FABRIC WINDSCREEN	98.00
6	1500601212	PLASTIC BOTT.MOUNT.BRACKET 2PC	13.20
	1500602390	BOTTOM MOUNTING BRACKET BLACK 2PC	13.20
7	1500602412	FIXATION HOLDER ASSY WINDSCREEN	13.40
8	1500602413	ROLLER TUBE END CAP AND SPRING ASSY	26.20
9	1500602414	WINDSCREEN BAG	15.60
10	1500602415	TENT PEG PLATE WINDSCREEN	4.00
11	1500602416	VELCRO ASSY FIXATION WINDSCREEN	3.20



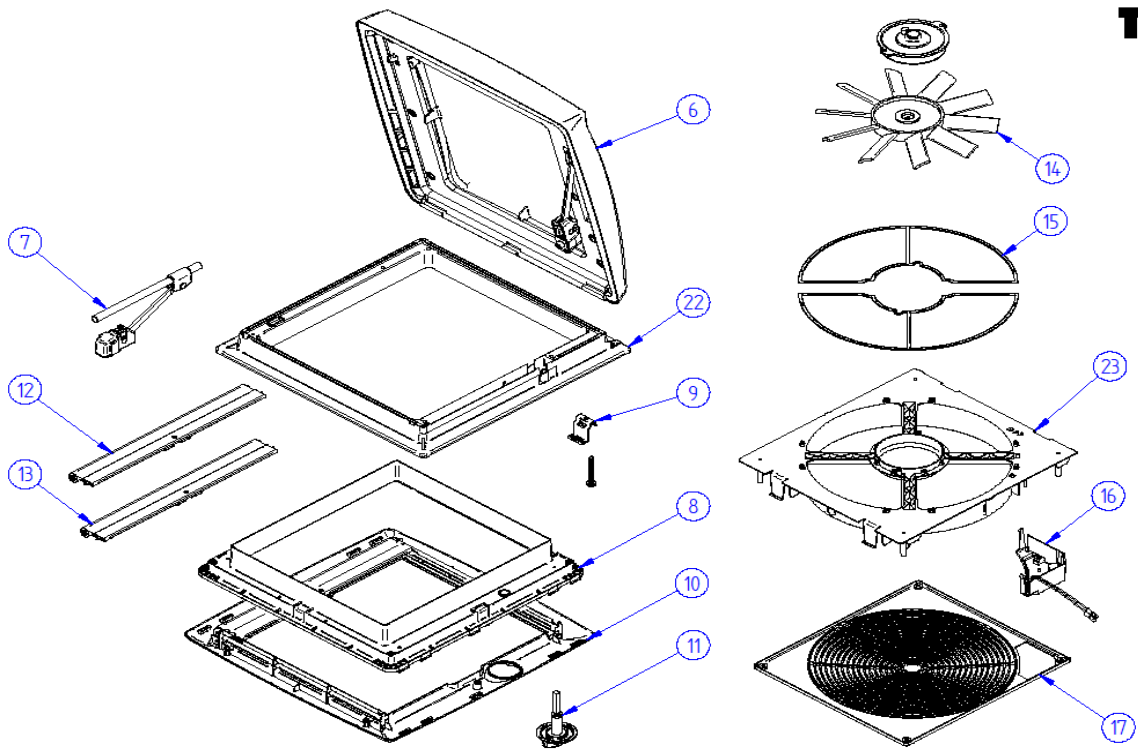
2013 SPARE PARTS LIST  
Thule ROOFLIGHT

THULE  
SWEDEN

DL609-00



THULE



THULE Omnivent V04

DL609-00

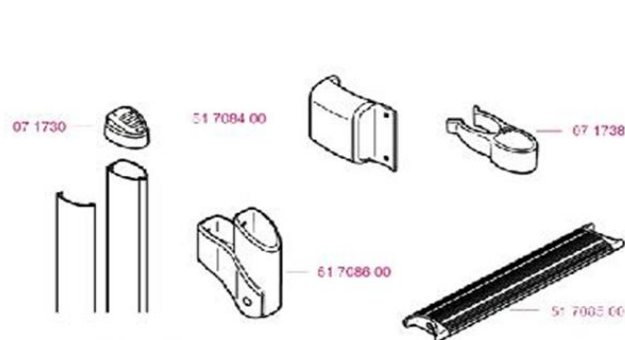
**2013 SPARE PARTS LIST****Thule ROOFLIGHT****DL609-00**

	ART.NR.	DESCRIPTION	RETAIL € (ex.VAT)
1	1500601784	INNER HATCH FRAME GREY	7.20
2	1500600692	MOSQUITO SCREEN	7.40
3	1500600697	CURTAIN FRAME WITH ROLLO	29.60
4	1500600693	HARDWARE PACKAGE	7.00
5	1500600699	KNOB WITH SQUARE SHAFT	4.20
6	1500600707	DOME TRANSP + OPERATION DEVICE	85.40
	1500601443	DOME WHITE + OPERATION DEVICE	50.40
	1500601444	DOME TRANSL + OPERATION DEVICE	50.40
7	1500601364	OPERATING DEVICE	17.80
8	1500601786	INNER HATCH FRAME CREAM	8.40
9	1500600694	HARDWARE PACK. OMNIVENT V04	7.00
10	308229	RETROFIT CURTAIN FRAME V04	44.54
11	1500600712	OPERATING KNOB CREAM ASSY	4.20
12	1500600709	ROLLO MOSQUITO ASSY	11.80
13	1500600710	ROLLO CREAM ASSY	15.00
14	1500600700	MOTOR + FAN BLADE VENTILATOR	69.80
15	1500601718	SET MOSQUITO NET VENTILATOR	11.00
16	1500601719	ELECTR STEERING V08	47.40
17	1500601720	VENTILATOR GRID V08	10.20
18	1500600719	RETROFIT LOCK	2.80
19	1500600696	EL. CONTROL + THERMOST.	95.40
20	1500600701	CONTROL SYSTEM - 3 SPEED	53.60
21	1500600703	VENTILATOR GRID 12V ELECTRIC	7.40
	1500600704	VENTILATOR GRID ELECTRONIC	9.60
22	1500600698	OUTER HATCH FRAME+HINGE	13.00
23	1500601785	VENTILATOR FRAME <2008	10.80
	1500602392	VENTILATOR FRAME >2008 NEW	15.60

# 2013 SPARE PARTS LIST

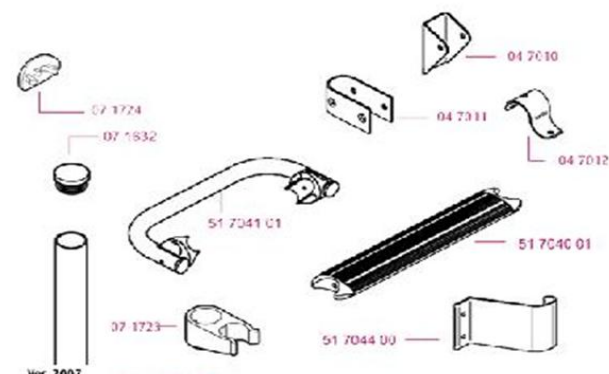
## Thule LADDER and ROOFRAIL

**THULE**  
SWEDEN

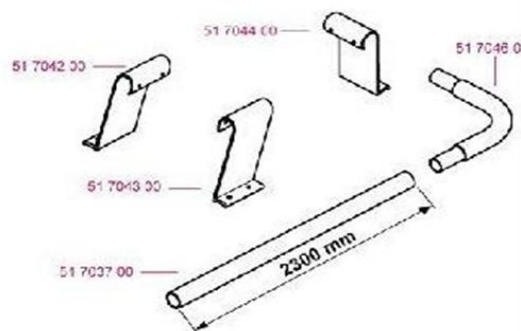


Ver. 2007

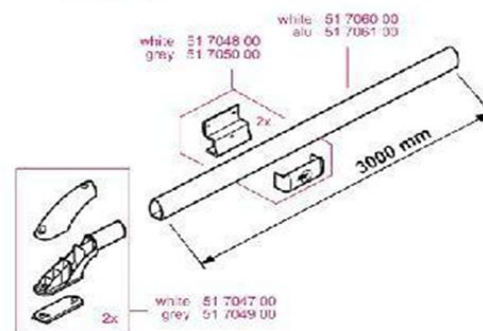
Thule Ladder – Ladder Deluxe



Thule Ladder – Ladder



Thule Ladder – Roof Rack



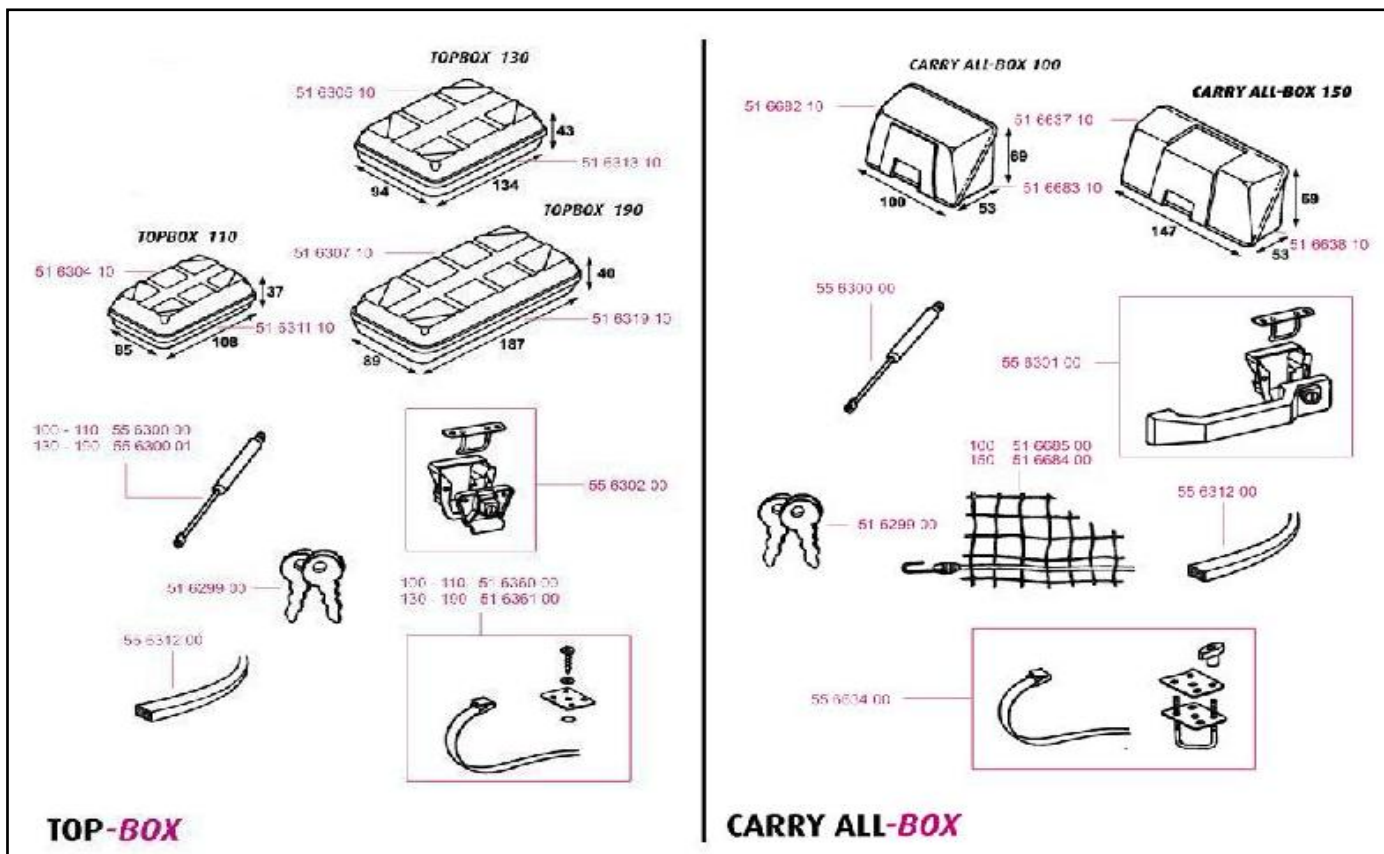
Thule Ladder – Roof Rack Deluxe

	ART.NR.	DESCRIPTION	RETAIL € (ex.VAT)
	47010	1500601979 FOOT SUPPORT OMNIBIKE DIAM 30	5.20
	47011	1500602036 HINGE DOUBLE LADDER	9.40
	47012	1500602037 BEDHOOK	9.40
	71632	1500602038 TUBE PLUG BLACK Ø30	0.40
	71723	1500602039 TUBE CLIP DOUBLE LADDER	2.80
	71724	1500602040 COVER PLUG LADDER	0.20
	71730	1500602041 OVAL PLUG OMNILADDER DELUXE	0.80
	71738	1500602042 OVAL CLIP OMNILADDER DELUXE	2.80
	51703700	1500602043 TUBE DIAM 30 L=2,30M	26.80
	51704001	1500602044 RUNG LADDER	7.40
	51704101	1500600516 BUMPER DOUBLE LADDER	37.00
	51704200	1500600517 LH LADDER SUPPORT - 80MM/20	7.40
	51704300	1500600518 RH LADDER SUPPORT - 80MM/20	7.40
	51704400	1500600519 LADDER SUPPORT - 80MM	7.40
	51704601	1500600520 BEND 90°	14.80
	51704700	1500600521 ENDCAP ROOF RACK ASSY WHITE	25.20
	51704800	1500600522 SUPPORT ROOF RACK ASSY WHITE	22.20
	51704900	1500600523 END CAP ROOFRACK ASSY GREY	25.20
	51705000	1500600524 SUPPORT ROOF RACK ASSY GREY	22.20
	51706000	1500601759 OVAL TUBE L=3.0M WHITE	36.40
	51706100	1500601782 OVAL TUBE L=3.0M ANO	36.40
	51708000	1500600525 FIXATION KIT LADDER DOUBLE 10S	20.60
	51708100	1500600526 FIXATION KIT LADDER SINGLE 6S	24.60
	51708200	1500602045 FIXATION KIT LADDER 4 STEPS	32.40
	51708400	1500600527 SUPPORT OVAL OMNILADDER DELUXE	8.20
	51708500	1500600528 RUNG OMNILADDER	7.60
	51708600	1500600529 HINGE OVAL OMNILADDER DELUXE	31.00

# 2013 SPARE PARTS LIST

## Thule BOXES

**THULE**  
SWEDEN



	ART.NR.	DESCRIPTION	RETAIL € (ex.VAT)
51629900	1500600377	SET OF 2 KEYS TOP-BOX	18.60
51630410	1500601725	TO BOX 110 COVER WHITE	228.00
51630510	1500601723	TOP BOX 130 COVER WHITE	291.80
51630710	1500601404	TOP BOX COVER 190CM	367.80
51631110	1500601724	TOP BOX 110 BOTTOM WHITE	238.40
51631310	1500601722	TOP BOX 130 BOTTOM WHITE	333.20
51631910	1500601721	TOP BOX 190 BOTTOM WHITE	410.00
51636000	1500601521	INSTAL INSTR TOP BOX 110-110	22.40
51636100	1500601472	INST INSTR TOPBOX 130 190 4pc	24.80
55630000	1500601339	GASSPRING ASSY 100N	18.80
55630001	1500601340	GAS SPRING ASSY 200N	18.80
55630200	1500601343	LOCK+PROTECTION+HOOK CLASS/TB	22.20
55631200	1500601349	FOAM RUBBER CLASS/CARALL/COMBI	7.40
51663710	1500601728	CARRY ALL BOX 150 COVER WHITE	338.00
51663810	1500601727	CARRY ALL BOX 150 BOTTOM WHITE	329.00
51668210	1500600441	CARRY ALL BOX 100 COVER	286.80
51668310	1500601726	CARRY ALL BOX 100 BOTTOM	259.20
51668400	1500600442	MESHED NET ASSY FOR CA BOX 150	23.60
51668500	1500601524	MESHED NAT ASSY CA BOX 100	17.60
55630100	1500601342	LOCK+PROTECTION+HOOK COM/CARAL	31.60
55663400	1500601353	FIXAT. MATERIAL CARRY ALL 4PC	32.60