



## **Welcome** to your complete supplier!

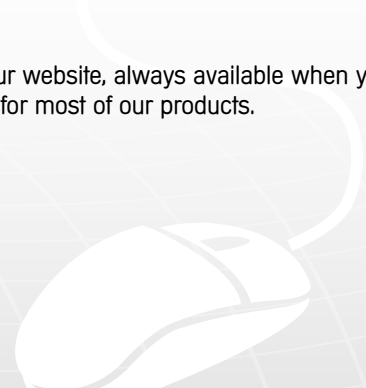
**Alde International Systems AB** is a system supplier for the camping and boating market with a complete range of products for heating and LPG applications. In addition to our LPG central heating boilers, we also produce supplementary products in the form of convectors, installation parts, immersion heaters, water heaters, leak testers, etc.

**New for this year** are retail-packaged accessories. You can read more about these on pages 48–51.

**Always updated with the latest information at [www.alde.se/uk](http://www.alde.se/uk)**

You can download current product specifications and digital publications at our website, always available when you need them. Here you can even download instructions for installation and use for most of our products.

Service manuals and price lists are now also available for download.





## **Together** we will be even better!

**We are world leaders** in our field, and this is something we take a lot of pride in. Without the strong collaboration with all of our partners, we would never be where we are today.

**Building strong** and long-lasting relationships with our customers and dealers is extremely important to us. We are always open to dialogue and eager to hear about your experiences, suggestions and opinions that can help us to be even better.



# CONTENTS

<b>Heating</b>	5-44
Hydronic heating	6-7
Alde Heating System	8-9
Central heating Compact 3020 HE	10-11
Installation guide for Alde Compact 3020 HE	12-13
Control panel - Colour Touch for Alde Compact 3020 HE	14-15
Temperature sensors for Alde Compact 3020 HE	16
LPG interface for Alde Compact 3020 HE	16
Accessories for Alde Compact 3020 HE	17
Additional Leads for Alde Compact 3020 HE	17
Flue for Alde Compact 3020 HE	18
Intake- & exhaust hose for Alde Compact 3020 HE	19
Water connection for Alde Compact 3020 HE	20
Circulation pump 12 V	21
Expansion tank	22
Accessories for expansion tank	23
Sundry assembly parts	23
Engine heat exchanger	24
Assembly parts for engine heat exchanger	25
Convectors	26-27
Fan convector	28
Booster with fan	29
Thermostatic bypass	30
Panel radiator	30
Towel heater	31-33
Floor heating	34-35
Assembly parts	36-43
Electric heater 230 V	44
Service pump kit	44
<b>Accessories</b>	47-53
Retail packaged products	48-51
Additional accessories	52
Leak detectors for LPG systems	53
<b>Spare parts Alde Compact 3020</b>	55-59
<b>Spare parts Alde Compact 3010</b>	61-67
<b>Spare parts Alde Comfort 292x</b>	69-76
<b>Spare parts Electric heater</b>	79-82



# Heating



## Hydronic heating

The Alde central heating system is a hydronic system, with the same heating principle as in most of our homes.

The heat source comprises a LPG boiler with an immersion heater, which heats a liquid mixture consisting of water and glycol. Hot glycol water circulates around the system through radiators and pipes by means of a pump.

The convectors that are placed along the outer walls heat the air. This then rises and heats the walls and furniture.

Since hot air rises, an air barrier is formed in front of the windows, which keeps the chill off. When the warm air reaches the ceiling, it circulates down towards the floor and is reheated by the convectors. Each vehicle must have ventilation, i.e. fresh air needs to be supplied and used air expelled. The supplied fresh air in the vehicle should be directed in through an insulated air intake and on up through a convector with closely spaced slats. In this way the incoming fresh air is heated when the heating system is operational. The used air is ventilated out through the roof panel and ventilators.

The installation is important to produce the best heat distribution and pleasant heating.

- As many and as long convectors as possible.
- Convectors must be placed under each window.
- The convectors are installed along and up against the outer walls.
- Air must be able to pass under beds and behind backrests.
- Ventilation in the cabinet so that air can circulate.

If the installation is correct, the natural flow of heat from the Alde central heating system means that the entire living space is wrapped in a comfortable environment, which shuts out draughts, eliminates cold spots and also heats both beds and cabinets.

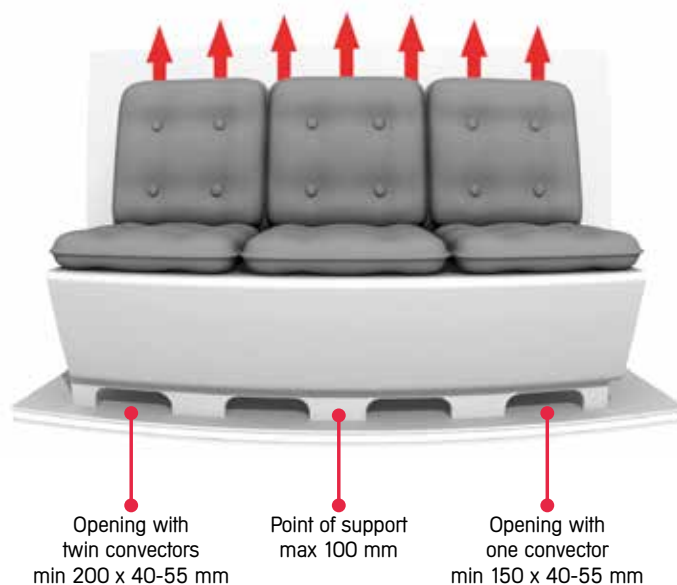
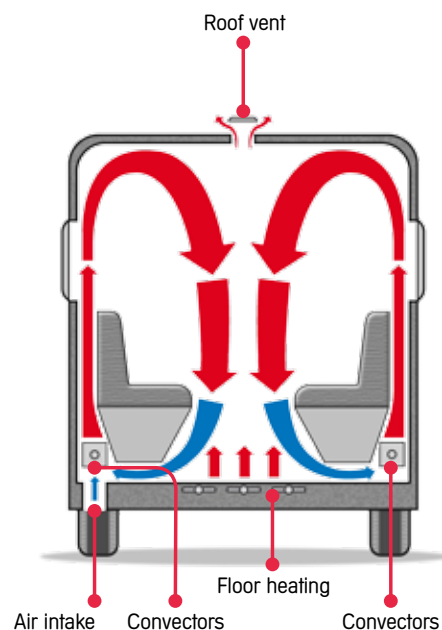
The installation of underfloor heating is also recommended to give a very complete heating system with maximum comfort. The heating pipes in the floor are connected to the ordinary pipe system.

## Installation Suggestions

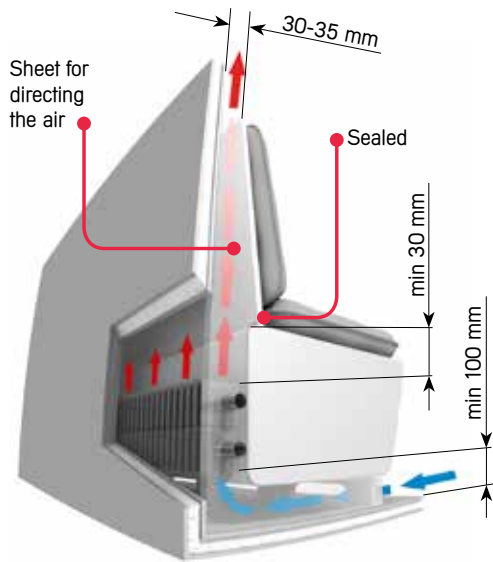
For the heating system to work optimally, it is important that the convectors should be installed in the right way. Below are given some examples of the most common ways of installing convectors and pipes.

### NB!

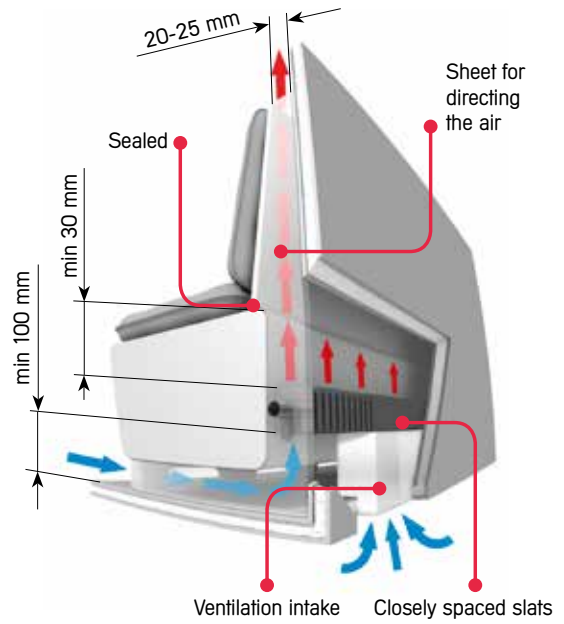
Do not obstruct the top or bottom vents. Pillows, cushions and blankets should be placed so that they aren't forced over the vents when used. Vent grills should not be used as shelving.



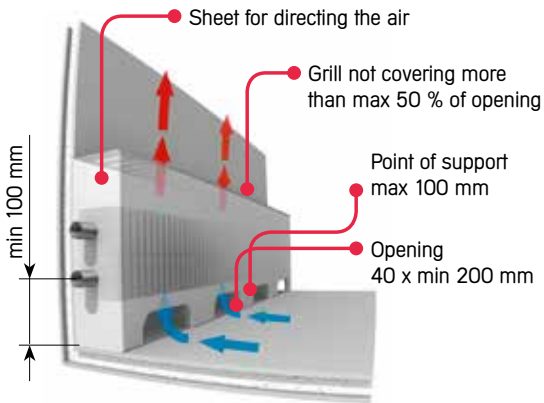
**Twin convectors in bed case**



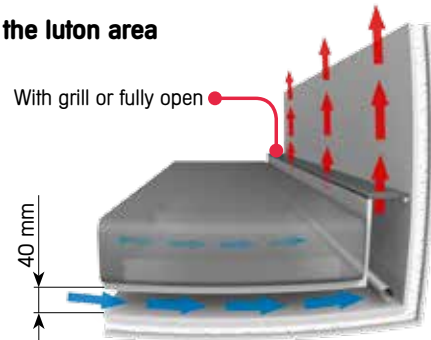
**Convector and ventilation intake in bed case**



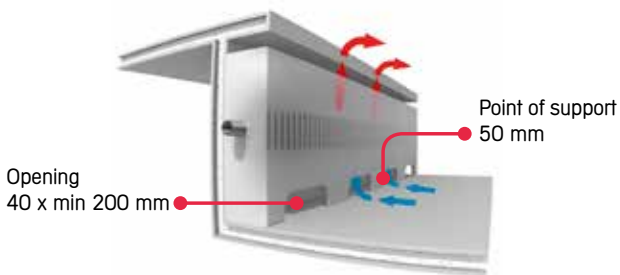
**Twin convectors on wall**



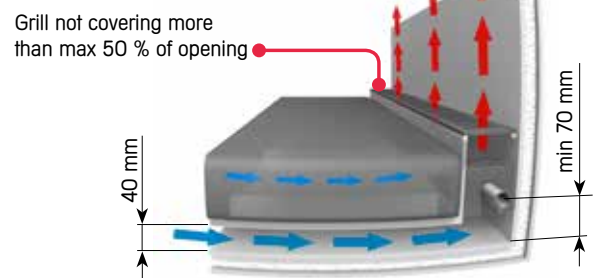
**Pipes in the luton area**



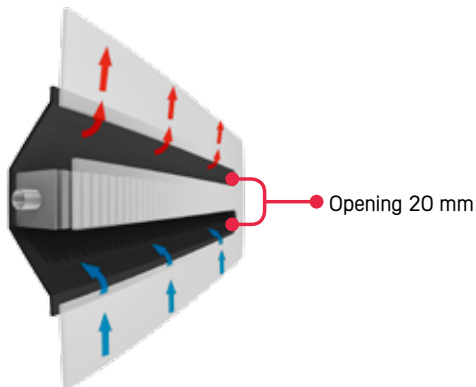
**Convector at entrance**



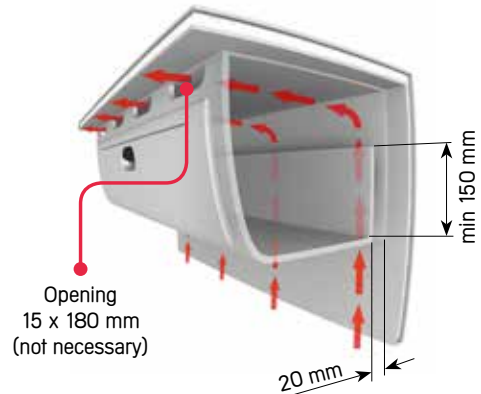
**Convector in the luton area**



**In-built convector**



**Air circulation in cabinet**



# Alde heating systems

## Safe, economical and environmentally friendly



### Control panel with touch screen

All settings for the heating system are made on the control panel via the user-friendly menus on the touch screen. The control panel can also be used to control an A/C unit, to provide full climate control in the vehicle.



### Boiler Alde Compact 3020 HE

Alde Compact 3020 HE is the heart of the heating system. It produces heat for heating and domestic hot water. It is powered by LPG and electricity.



### Convectors and panel radiators

The convectors are placed along the outer walls where they produce heat and enclose the environment with a protective thermal barrier that prevents draughts. Panel radiators can be supplied to fit spaces where it's difficult to fit normal convectors. e.g. in WCs.



### Heat booster with fan

The heat booster is used for fast and directed heating in e.g. wardrobes to dry wet clothes and shoes. Available in several variants. The most powerful model is a compact heating unit consisting of an efficient heating coil with fan.



### Underfloor heating

We warmly recommend our underfloor heating to give a complete heating system with maximum comfort. It consists of pipe coils in the floor that are connected to the ordinary heating system.



### Frost control

Frost control is a drain/safety valve that automatically opens and drains the water heater when there is a risk of frost. Also acts as a safety valve against excessive water pressure and as a manual drain valve. Ask your dealer if the Frost Control is fitted in your vehicle.



### Tank heating

Alde's tank heater protects your water and sewage tanks from frost damage. There are several installation options, for example, convectors that are installed between the tanks or a pipe circuit below the tanks, which is connected to the ordinary heating system. Ask your dealer if tank heating is fitted in your vehicle.



### Heated towel rail

The heated towel rail is a traditional design for the practical hanging of towels.



### Domestic hot water

The Alde Compact 3020 HE boiler also produces stored hot water, ensuring there is always hot water for the shower and kitchenette. The boiler provides around 15 litres of warm water for a shower. In the summer, the boiler can be set to produce hot water only.



### Smart Control

Alde Smart Control is an SMS-based app that lets you control the heating system via your smartphone. In addition to functions for start/stop, temperature setting, hot water on/off, etc., it also features an alarm that gives low battery and temperature warnings. Alde Smart Control consists of a smartphone app and an electronics box for installation in the camper.

## For camper vans only



### Driver comfort

There are specially adapted convectors that are connected to Alde's heating system to give improved comfort in and around the driver and passenger seats. Other options include heating booster or fan convectors.



### Heating mat

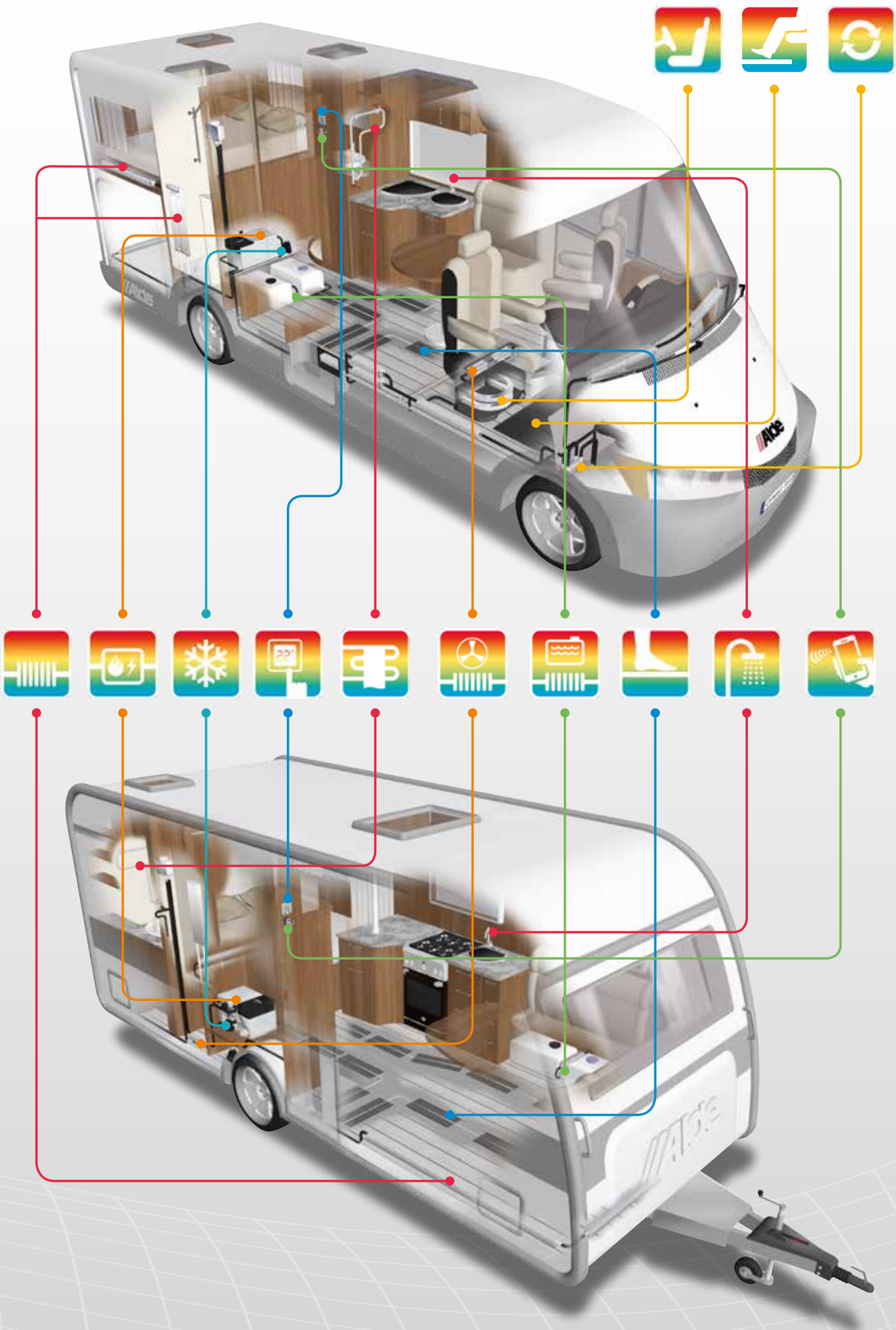
You and your passengers can enjoy warmth and comfort while you travel. The floor in the driver's cab is often a cold spot in winter. The Alde Heating mat prevents the cold penetrating into your vehicle and makes your floor warm and pleasant.



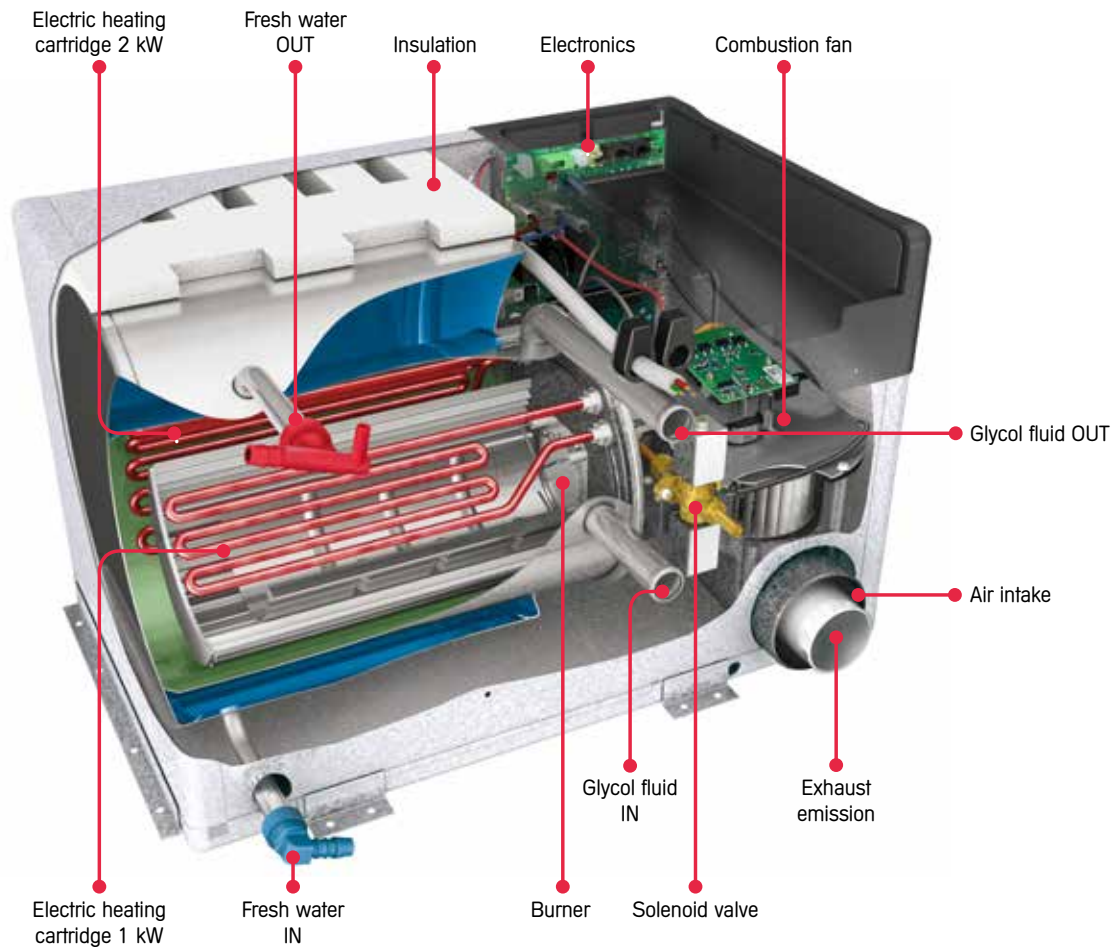
### Engine heat exchanger

A heat exchanger allows the vehicle's engine cooling system to be used for heating and the production of hot water. The heat can also be run in reverse and then acts as an engine heater.









**Boiler construction**

The boiler's internal heat exchanger consists of three concentric cylinders; the combustion chamber, the central heating cylinder and the hot water cylinder.

The combustion chamber is made from aluminium, and is divided into two halves by a baffle plate, with the burner head located in the top half, and the flue gases venting through the bottom half.

The combustion assembly is fixed to the end of the internal heat exchanger. It consists of the burner, combustion fan, gas valve, air intake and exhaust ducts, and gas line.

Two electric heating elements are sealed inside the central heating cylinder, one for 1 kW, one for 2 kW.

The room thermostat is integrated into the touchscreen control panel and connected to the boiler by a Registered Jack (RJ) cable.



Heat and hot water with the electric elements



Heat and hot water with the LPG burner



Heat and hot water with the electric elements and the LPG burner

## Boiler for mobile leisure vehicles.

All connections – fluids, gas and electricity – are located on the long side. This makes it easy to install and service the Compact 3020 HE. The installation dimensions will also be minimal as there are three sides which are completely free.

Inside the metal surround of the Compact 3020 HE is the LPG-powered burner which works with two output steps depending on the output needed.

All of the Compact 3020 HE models are equipped with two 230 V electric elements with a maximum output of 3150 W.

The hot water heater in the boiler is of storage type and can hold more than 8 litres of fresh water.

Control of the boiler is via a processor on the boiler's circuit board.

The Alde Compact 3020 HE can be connected with Truma Aventa Comfort AC, thereby benefiting from a full climate control system.

The Compact 3020 HE can generally be installed wherever you want. Either inside the living space, such as e.g. in a wardrobe or storage space, or installed outside in any storage area or in a space between floors.

Release of exhaust gas and intake of air can either be via a side-mounted flue or one fitted on the roof.

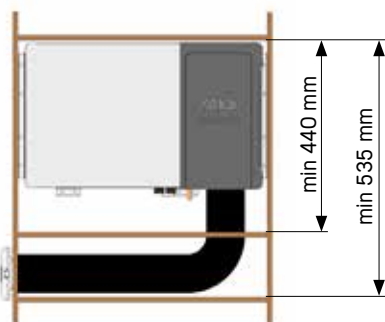
*We also have bespoke models which are prefitted with e.g. water connections, automatic bleeding and a 12 or 230 volt circulation pump.*



Prefitted model.



### Installation space



Technical data		
Height:	310 mm	
Breadth:	340 mm	
Depth:	490 mm	
Weight:	14 kg (without fluid)	
Gas:	Propane	Butane
Output Step 1:	3,3 kW	3,8 kW
Gas consumption:	245 g/h	275 g/h
Output Step 2:	5,5 kW	6,4 kW
Gas consumption:	405 g/h	460 g/h
Gas pressure:	I <sub>3+</sub> 28-30/37 mbar I <sub>3B/P</sub> 30 mbar	
Volume glycol fluid:	3,5 lt	
Volume fresh water:	8,4 lt	
Max. pressure glycol fluid:	0,05 MPa (0,5 bar)	
Max. pressure hot water:	0,3 MPa (3,0 bar)	
System temperature:	max 85 °C.	
Output heating cartridge:	1 × 1050 W (230 V )	
(2 or 3 kW):	1 × 2100 W (230 V )	
Power consumption 12 V DC:	1 amp (max)	

## A number of fittings are needed to install and use the 3020 HE.

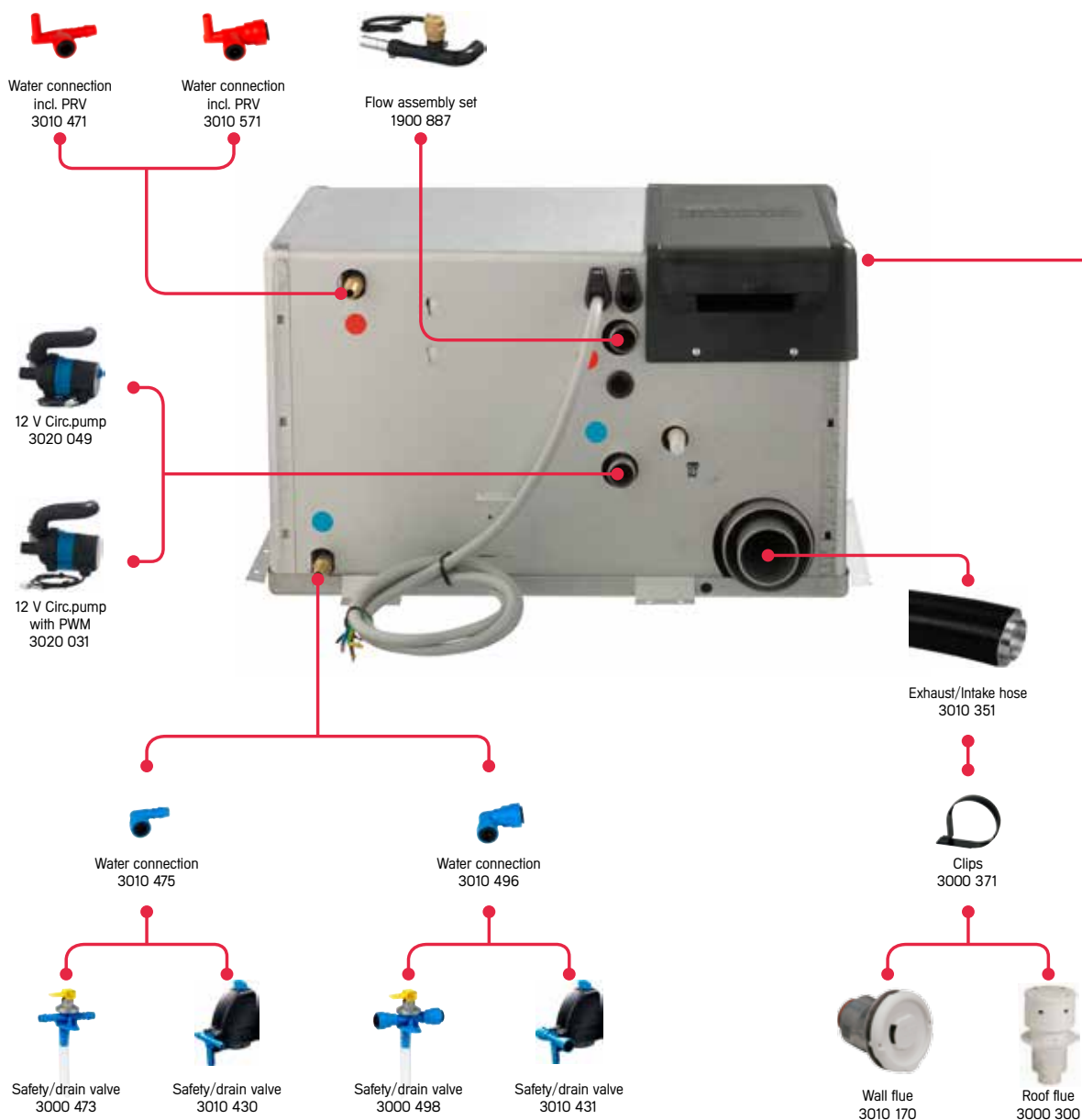
- Flue, roof-mounted or side-mounted.
- Intake and exhaust hose.
- Connection cable for control panel.
- Control panel, mechanical or touch screen.
- 12 V circulation pump (in the expansion tank or on the boiler).
- Bleeding kit (recommended).
- Nipples for the fresh water connections.
- Safety/drain valve.

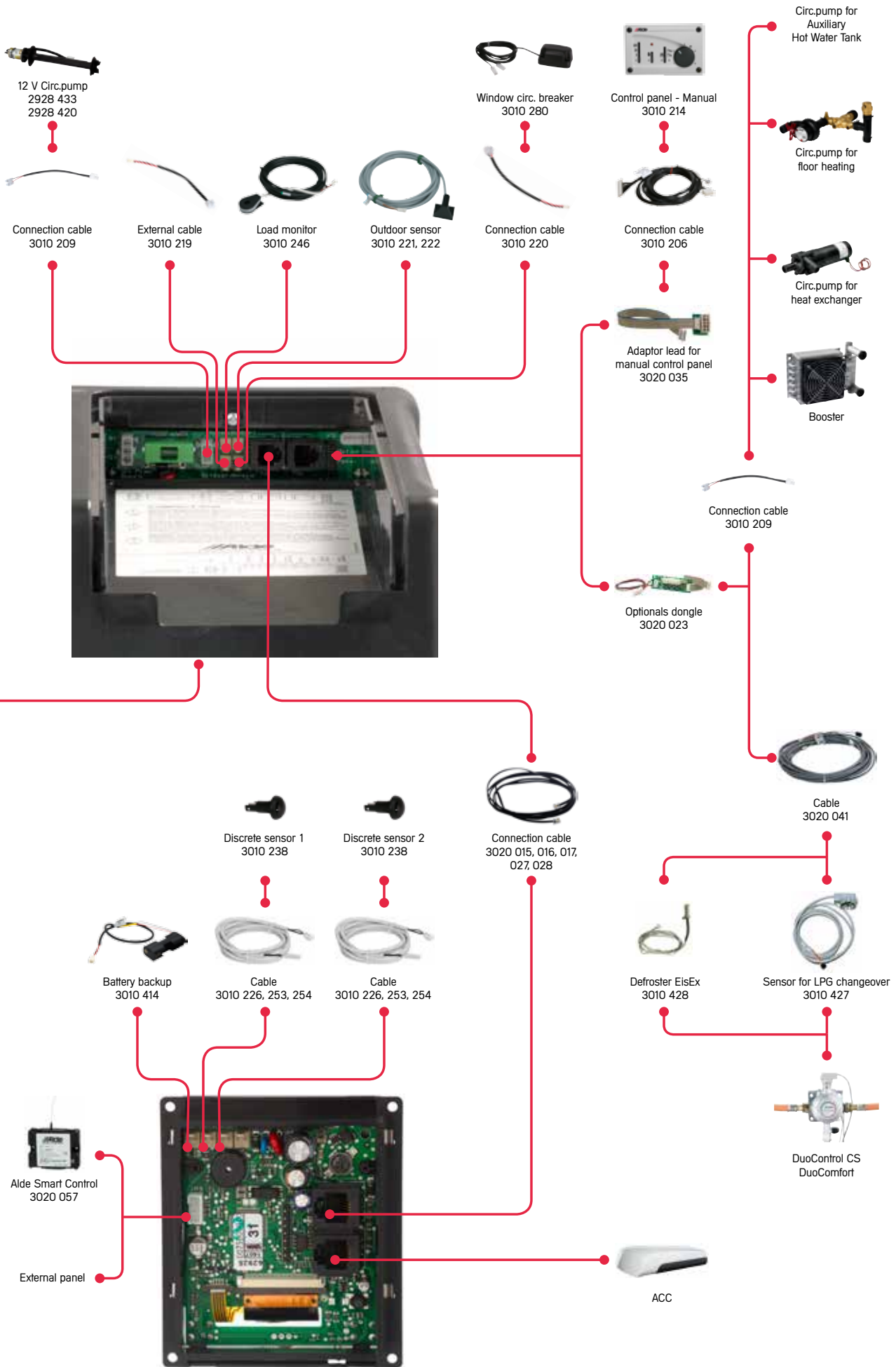
## Get more from your Alde heating system! (not for control panel 3010 214).

- Outdoor temperature sensor.
- Discrete room temperature sensor.
- Load monitor.
- Battery backup.
- Alde Smart Control, control via smartphone.
- Connection to AC.

## With options dongle:

- Defroster to pressure reducing valve.
- Sensor for LPG changeover.
- Control of the circulation pump with PWM.
- Control of fan on heat booster.
- Control of the circulation pump for the heat exchanger.
- Control of the circulation pump for floor heating.
- Control of the circulation pump for external hot water heater.







### Control panel with colour touch screen

Alde's new control panel is based on the latest technology. Its 3.5" TFT touch screen makes it easy to navigate through the various functions. The screen resolution ensures a clear picture in both daylight and darkness. The control panel also features a user-friendly interface, with self-explanatory menus in colour.

**One of the innovations** is the option of connecting the Alde Compact 3020 HE with Truma Aventa Comfort AC, thereby benefiting from a full climate control system.

**Night Mode**, with the option of the following settings:

- Temperature reduction.
- Hot water switch-off.
- Inverted (darker) screen.
- Quieter AC.
- Changeover to temperature sensor in sleeping accommodation area.

**An options dongle** allows access to the following premium functions:

- Control of the floor heating pump.
- Control of the booster fan.
- Control of the circulation pump for the heat exchanger.
- Control of a tank for additional hot water.
- DuoControl changeover with EisEx.

**The control panel** features a user-friendly interface, with self-explanatory menus in colour.

**Information menu.** The time and temperature are shown here, along with whatever is connected to the Compact 3020 HE.

**Settings menu.** The basic heating settings are defined here: required temperature, extra hot water and energy selection, among other things.

**Tools menu.** Here you can adjust and connect additional functions to the Compact 3020 HE.

Dimensions: 97 × 86 mm.

Art.No. 3020 113 Metallic Grey.

Art.No. 3020 114 Gloss Black.

---

### Connection cable

Connection cable between boiler and control panel 3020 113 och 3020 114.

Art.No. 3020 015 Length 3,0 m.

Art.No. 3020 027 Length 6,0 m.

Art.No. 3020 017 Length 9,0 m.

Art.No. 3020 028 Length 12,0 m.

Art.No. 3020 018 Length 15,0 m.





## Control panel - Manual

Switch for controlling electrical heating cartridge, LPG boiler and circulation pump. Gives priority to the boiler's electrical heating cartridge. If the electrical heating cartridge is not sufficient, the LPG boiler starts.

Dimensions: 73 × 116 mm.

Art.No. 3010 214



## Cable for manual control panel

Connection cable between adapter lead 3020 035 and control panel 3010 214. Includes connection for discrete temperature sensor cable. Length 0,25 m.

Art.No. 3010 206 Length 5,0 m.



## Adaptor lead

Adapter lead between boiler and cable 3010 206. Connects to the port for the options dogle.

Art.No. 3020 035 Length 0,25 m.





## Discrete sensor

Used to site a sensor wherever it is needed, or if the control panel's integrated sensor is affected by another heat source. For control panels 3020 113 / 114 and 3010 213 / 413 / 613.

- Art.No. 3010 238    Sensor: 8 pcs/pack.
- Art.No. 3010 226    Cable: Length 0,5 m.
- Art.No. 3010 253    Cable: Length 2,0 m.
- Art.No. 3010 254    Cable: Length 8,0 m.



## Outdoor sensor

Sensor with cable for measuring outdoor temperature. For control panels 3020 113 / 114 and 3010 213 / 413 / 613.

- Art.No. 3010 221    Length 2,5 m.
- Art.No. 3010 222    Length 5,0 m.

# LPG interface for Alde Compact 3020 HE



## Sensor for LPG changeover

Indicates whether the LPG cylinders are ready for use.

Cable length 1.5 m. The sensor is fitted to Trumas DuoComfort, DuoControl CS or DuoControl.

Connects to the options dongle via cable 3020 041.

For use with Alde Compact 3010, use cable 3010 419.

Art.No. 3010 427



## Defroster EisEx

EisEx, 12 volts defroster. Prevents icing of the regulator in the winter. Installed in the existing outlet on the regulator.

Fits MonoControl CS, DuoControl CS, SecuMotion, DuoComfort and DuoControl.

Connects to the options dongle via cable 3020 041.

For use with Alde Compact 3010, use cable 3010 419.

Art.No. 3010 428



## Cable for LPG changeover

Used between the options dongle and sensor 3010 427 as well as defroster 3010 428.

Length 10 m.

Art.No. 3020 041

## Battery backup

Used to retain the control panel settings when the vehicle's main switch is off.

For 2x AA batteries (not included).

For control panels 3020 113 / 114 and 3010 413 / 613.

Art.No. 3010 414



## Window circuit breaker

Switches off LPG operation of the boiler if the window is opened.

For control panels 3020 113 / 114 and 3010 213 / 413 / 613.

Art.No. 3010 280 Window circuit breaker.

Art.No. 3010 220 Connection cable. Length 0,2 m.



## Load monitor

Used to limit power consumption of the vehicle. Reduces the output of the electric element in stages if the load is too high.

For control panels 3020 113 / 114 and 3010 213 / 413 / 613.

Art.No. 3010 246



## Options dongle

An options dongle allows access to premium functions, such as control of the floor heating pump, booster fan and heat exchanger, from the control panel. It also allows a DuoControl LPG changeover device to be connected and can be used for controlling a tank for additional hot water.

The options dongle is fitted in the service hatch of the boiler with the fasteners supplied.

Art.No. 3020 023



## Additional Leads for Alde Compact 3020 HE

### Cable for booster fan and circulation pumps

Cable for connecting a booster fan and 12 V circulation pumps. Length 0,2 m.

Art.No. 3010 209



### Lead for external start

Lead to connect to telemetry system for external start of the boiler. For example, Truma Text Control. For connection to control panels 3010 213 / 413 / 613.

Length 0,2 m.

Art.No. 3010 219





**Wall flue**

Flue for side installation. Delivered with hose clips for exhaust hose and inlet hose.

Size of hole Ø 83 mm.

- Art.No. 3010 170 White flue cap.
- Art.No. 3010 375 Light grey flue cap.
- Art.No. 3010 376 Medium grey flue cap.
- Art.No. 3010 386 Dark grey flue cap.
- Art.No. 3010 384 Black flue cap.



**Condensate spout**

An accessory for every winter camper.

Ice formation on the side of the vehicle in winter is a well-known problem for caravan and motor caravan owners. The Condensate spout just clicks onto the wall flue. It also ensures the vehicle's heating system continues to operate. Material: PE black.

Art.No. 3010 697



**Roof flue**

Roof flue including hose clips for exhaust and intake hose.

Internal diameter 76 mm. Max. roof thickness 60 mm.

Height above roof, 95 mm.

15 pcs/pack.

Art.No. 3000 300 White.



**Extension pipe**

Extension pipe for roof flue for winter camping.

Extends the flue by 200 mm.

Art.No. 3000 320

Roof flue mounted on extension pipe

## Intake hose

Intake hose Ø 75 mm in aluminium.

Permitted length of hose:

Wall flue 0.5-2.0 m.

Roof flue 2.0-3.5 m.

Art.No. 3000 360 Per metre.



## Exhaust hose

Exhaust hose Ø 50.5 mm.

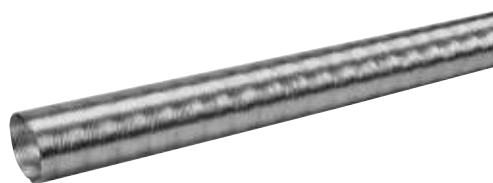
Permitted length of hose:

Wall flue 0.5-2.0 m.

Roof flue 2.0-3.5 m

Art.No. 3000 359 Aluminium. 20 m/pack.

Art.No. 3000 350 Stainless steel. 20 m/pack.



## Insulation hose

Insulation hose Ø 80 x 13 mm. Is mounted on the Intake hose in order to reduce noise from fan and boiler operation.

Length 2.0 m.

Art.No. 3000 361



## P-Clips

P-Clips for securing Intake hose.

The hose should be fastened at c/c 60 cm.

450 pcs/pack.

Art.No. 3000 371







**FrostControl**

Combined safety valve and drain tap. Integrated frost protection that opens and drains the water heater automatically when there's a risk of frost (about +3 °C). The drain tap can also be opened manually. Installed close to the boiler's incoming fresh water pipe.

- Art.No. 3010 430    Ø 10 mm hose connection.
- Art.No. 3010 431    Ø 12 mm connection John Guest.



**Safety/drain valve**

Combined safety valve and drain cock. The safety valve opens at 3.5 bar. When draining water from the heater, the yellow lever is pushed upwards. Installed close to the boiler's incoming fresh water pipe.

- Art.No. 3000 473    Ø 10 mm hose connection.
- Art.No. 3000 498    Ø 12 mm connection John Guest.



**Domestic cold water connection**

Angle 90° for cold water.

- Art.No. 3010 475    Ø 10 mm hose connection.
- Art.No. 3010 496    Ø 12 mm connection John Guest.



**Domestic hot water connection**

Angle with built-in non-return valve which allows air in when the heater is drained. For hot water. Incl. 0.5 m hose for air in.

- Art.No. 3010 471    Ø 10 mm hose connection.
- Art.No. 3010 571    Ø 12 mm connection John Guest.



**Water connection kit**

Complete kit consisting of a safety valve / drain tap as well as cold and hot water connections. For Ø 10 mm hose connection.

- Art.No. 3010 598



**Water connection kit - Speedfit**

Complete kit consisting of a safety valve / drain tap as well as cold and hot water connections. For Ø 12 mm John Guest connection.

- Art.No. 3010 597

**Circulation pump with block terminal**

Circulation pump 12 V for installation in the expansion tank 3000 420 and 3000 495. Block terminal.  
Power consumption 0.2 A.  
Art.No. 2928 433


**Circulation pump with plug**

Circulation pump 12 V for installation in the expansion tank 3000 420 and 3000 495. Plug.  
Power consumption 0.2 A.  
Art.No. 2928 420


**Inline circulation pump**

Circulation pump for mounting on Compact 3020.  
Five speed with adjustable dial on motor.  
Power consumption 12 Volt: 0.25 - 1.6 A.  
Ø 22 mm connection.  
Art.No. 3020 049


**Inline circulation pump - Remote controlled**

Circulation pump for mounting on Compact 3020. Connected to control panel to allow remote control of pump speed by PWM.  
Five speeds. Power consumption 12 V: 0.25 - 1.6 A.  
Ø 22 mm connection.  
Art.No. 3020 031



## Expansion tank - Wall

Expansion tank including wall-mounting, mounting nuts for circulation pump and drainage hose. Reversible for adaptation to the heating system's pipes.

Art.No. 3000 420



Technical data	
Breadth:	180 mm
Height:	231 mm inkl. Deckel und Anschlussrohr
Depth:	75 mm
Volume:	1,5 L
Connection:	Ø 22 mm

## Expansion tank - Corner

Expansion tank for corner installation including wall-mounting, mounting nuts for circulation pump and drainage hose.

Art.No. 3000 495

Art.No. 3000 420



Technical data	
Breadth:	210 mm
Height:	231 mm inkl. Deckel und Anschlussrohr
Depth:	116 mm
Volume:	2,0 L
Connection:	Ø 22 mm

## Protective cover - Wall

Protective cover in light grey plastic, for mounting in front of the expansion tank. Also protects the circulation pump. Only fits expansion tank 3000 420. Size ca 700 x 200 mm.

Art.No. 3000 440 700 x 200 mm.  
Art.No. 3000 600 1050 x 200 mm.



## Protective cover - Corner

Protective cover in light grey plastic, for mounting in front of the expansion tank. Only fits expansion tank 3000 495. Size ca 710 x 250 mm.

Art.No. 3000 640



## Rubber blank

Rubber blank for inserting into expansion tank lid when not using 12 V circulation pump in tank.

Art.No. 3000 416



## Sundry assembly parts

### Flow Assembly

Rubber connector with automatic air bleed valve, and non-return valve to prevent auto-circulation of central heating. Fitted on the boiler's outgoing connection.

Art.No. 1900 887



### Floor inlet

Floor inlet for air hoses and draining hoses from the expansion tank and boiler. Outlet for four hoses. Size of hole: Ø 32 mm. 50 pcs/pack.

*(The hoses are not included, only for the illustration).*

Art.No. 1900 565





## Engine heat exchanger

The waste heat in an engine's cooling system can be used for heating the living space via Alde's engine heat exchanger and central heating system. Then all that's required is to set the desired room temperature on the control panel as normal and the central heating circulates automatically when called for.

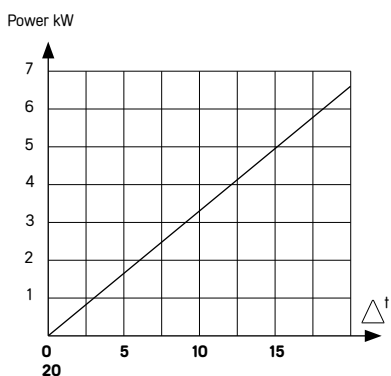
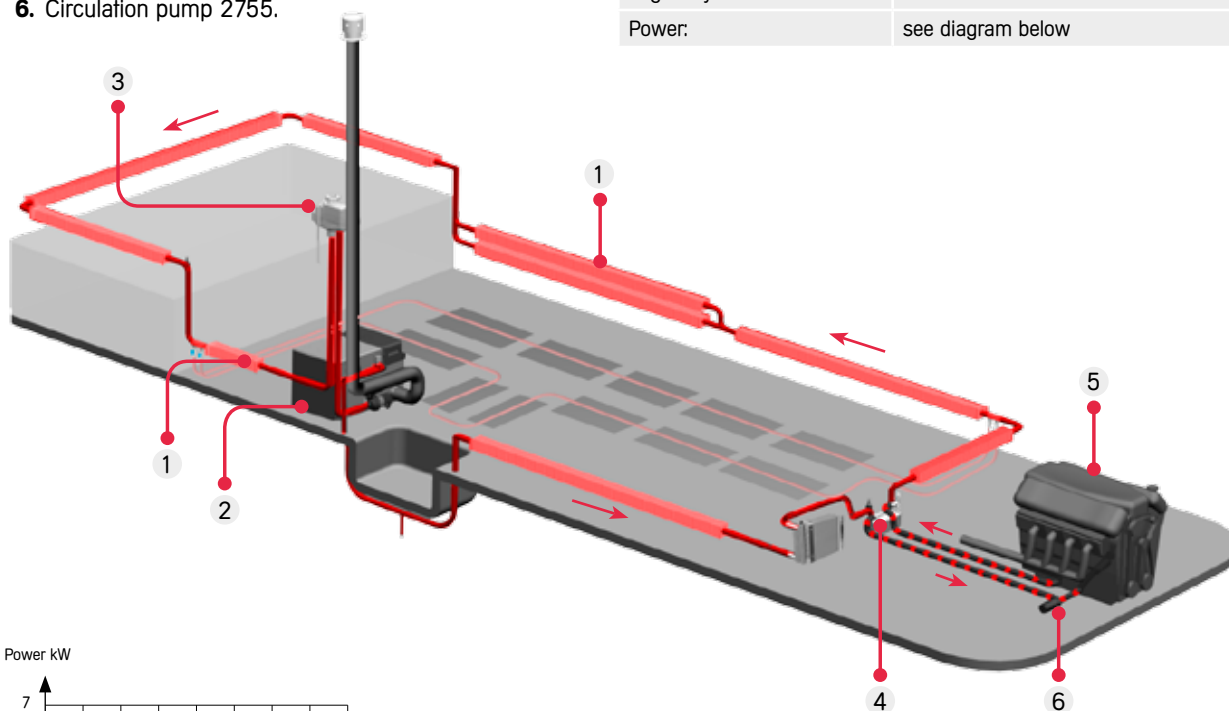
The system can be reversed if a circulation pump (2755) is installed in the engine cooling system, allowing the engine to be pre-heated, saving the extra fuel used in cold starting.

**When installing the engine heat exchanger, the vendor or vehicle manufacturer should be consulted to avoid technical mishap.**

- Art. No. 2968 901 Standard model.
- Art. No. 2968 912 With shut-off cock, angled connections and venting nipple.

1. Convectors.
2. Central heating boiler.
3. Expansion tank.
4. Engine heat exchanger 2968.
5. Engine.
6. Circulation pump 2755.

Technical data	
Dimensions:	L 190 × B 72 × H 65 mm (excl. connections)
Weight:	1.3 kg
Connection to the heating system:	Ø 22 mm
Connection to the engine system:	Ø 16 mm
Power:	see diagram below



$$\Delta t \left[ \frac{t_1 + t_2}{2} \right] - \left[ \frac{t_3 + t_4}{2} \right]$$

- $t_1$  = Incoming liquid temp (vehicle's cooling system)
  - $t_2$  = Outgoing liquid temp. (vehicle's cooling system)
  - $t_3$  = Incoming liquid temp. (central heating system)
  - $t_4$  = Outgoing liquid temp. (central heating system)
- (The liquid consists of 50% water and 50% glycol.)



## Bracket

Bracket for engine heat exchanger.

Art.No. 2968 303



## Rubber elbow

Rubber elbow 150 x 150 mm. Ø 15 x 4.5 mm. 100 pcs/pack.

Art.No. 2968 301



## Radiator hose

Radiator hose reinforced, Ø 15.7 x 3.6 mm. 60 m/pack.

Art.No. 2968 302



## Band clip

Band clip 22 x 12 mm for reinforced radiator hose and rubber elbow 2968 301.

Art.No. 1900 225



## Connector

Plastic connector 16 – 22 mm.

Art.No. 2968 322



## T-pipe

For the connection of the engine heat exchanger to the motor.

Art.No. 2968 304 16/16/16 mm in brass.

Art.No. 2968 316 16/19/19 mm in brass.

Art.No. 2968 319 19/19/19 mm in brass.

Art.No. 2968 306 16/22/22 mm in plastic.



## Assembly set

Assembly set with rubber angles, clips and holder for engine heat exchanger 2968 901.

Art.No. 2968 300



## Heating control

Heating control for remote control of the flow between the motor and engine heat exchanger. Ø 16 mm hose connection.

Wire length: 1.0 m.

Art.No. 2968 310



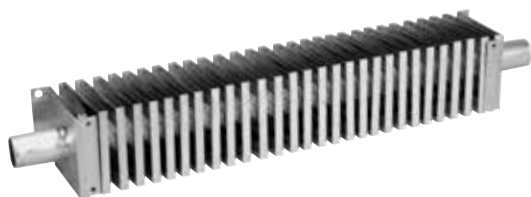
## Circulation pump - Engine pre-heat

Is used when the central heating and engine heat exchanger are to function as an engine-pre-heater. The permanent magnetic centrifugal motor does not restrict circulation when not in use.

Art.No. 2755 000



Technical data	
Hose connection:	Ø 16 mm
Max. flow with 0.1 bar:	15 l/min
Voltage:	9 - 15 V
Power consumption:	< 1.2 A



### Convectors

Convectors in Aluminium. 42 pcs/pack.

- Art.No. 1900 385 Length 400 mm.
- Art.No. 1900 384 Length 700 mm.
- Art.No. 1900 383 Length 1000 mm.
- Art.No. 1900 382 Length 1300 mm.
- Art.No. 1900 381 Length 1600 mm.
- Art.No. 1900 380 Length 1900 mm.

Technical data	
Height including mounting:	60 mm
Depth including mounting:	65 mm
Power:	400 W/m
Weight:	0.6 kg/m
Pipe:	Ø 22 mm



### Convector with guard

Convector with fitted guard of structured aluminium sheet.

- Art.No. 1900 424 Length 430 mm.
- Art.No. 1900 407 Length 600 mm.
- Art.No. 1900 405 Length 900 mm.
- Art.No. 1900 408 Length 1200 mm.
- Art.No. 1900 406 Length 1500 mm.

Technical data	
Height including mounting:	85 mm
Breadth including mounting:	68 mm
Output:	400 W/m
Weight:	0.8 kg/m
Pipe:	Ø 22 mm



### In-built convector

Convector in aluminium for recessing in stowage compartments, etc. For Ø 22 mm heating system.

Power approx. 400 watt/m.

- Art.No. 1900 456 305 mm.
- Art.No. 1900 457 555 mm.
- Art.No. 1900 458 805 mm.

Technical data	1900 456	1900 457	1900 458
Height including frame:	205 mm	205 mm	205 mm
Length including frame:	305 mm	555 mm	805 mm
Pipe length:	336 mm	577 mm	830 mm
Depth:	65 mm	65 mm	65 mm
Weight:	0.3 kg	0.5 kg	0.75 kg
Pipe:	Ø 22 mm	Ø 22 mm	Ø 22 mm

## Miniconvectors

Convector in Aluminium for special applications. Including plastic holders.

- Art.No. 1900 081 Length 400 mm.
- Art.No. 1900 082 Length 600 mm.
- Art.No. 1900 085 Length 900 mm.
- Art.No. 1900 083 Length 1000 mm.
- Art.No. 1900 084 Length 1200 mm.
- Art.No. 1900 597 Rubber sleeve Ø 16 › 22 mm.  
600 pcs/pack.



Technical data	
Height including mounting:	44 mm
Depth including mounting:	36 mm
Output:	180 W/m
Weight:	0.4 kg/m
Pipe:	Ø 16 mm

## Seat heating convector

U-shaped convector package for mounting in the seat base. They click in place on the underframe of the seat, in one simple operation. Available for Fiat, Peugeot, Citroën and Renault chassis.

Supplied with clips, rubber connection and clamps.

Art.No. 1900 830



Technical data	
Height:	200 mm
Width:	345 mm
Length:	480 mm
Output:	150 W
Weight:	1.1 kg
Pipe::	Ø 22 mm





### Fan convector

A compact heating package consisting of a specially manufactured, tightly packed convector with two 12 volt fans. Efficient in such places as drying cabinets. Two fan speeds.

Art.No. 1900 665

Technical data	
Dimensions:	L 250 × H 80 × D 63 mm
Output:	180 W vid ΔT= 50 °C
Voltage:	10 - 14 V DC
Power consumption:	300 mA
Weight:	0.33 kg
Connection:	Ø 22 mm



### Fan package for convectors

The fan package is mounted under a convector where extra heat and increased airflow are needed.

For maximum heating power, the fan package should be mounted on a tightly packed convector. Two fan speeds.

Art.No. 1900 660

Technical data	
Dimensions:	L 175 × H 40 × D 63 mm
Voltage:	10 - 14 V DC
Power consumption:	300 mA



### Switch

Switch for heating booster and fan convector. Two output settings. Size of hole: Ø 20 mm.

Art.No. 1900 658

**Minibooster with fan**

A compact heating package consisting of a specially manufactured aluminium radiator. Two fan speeds. For  $\varnothing$  22 mm heating system.

Art.No. 1900 630



Technical data	
Dimensions:	B 215 × H 140 × D 90 mm
Output:	650 W vid $\Delta T = 50\text{ }^{\circ}\text{C}$
Voltage:	10 - 14 V DC
Power consumption:	350 mA
Weight:	0.8 kg
Connection:	$\varnothing$ 22 mm


**Ducted cover**

Used to guide the air flow via a hose to specific points. For booster 1900 630.

Hose connection:  $\varnothing$  57 mm.

Art.No. 1900 886


**Booster with fan**

A compact heating package consisting of specially manufactured aluminium convectors. Two fan speeds. For  $\varnothing$  22 mm heating system.

Art.No. 1900 635 with four convectors.

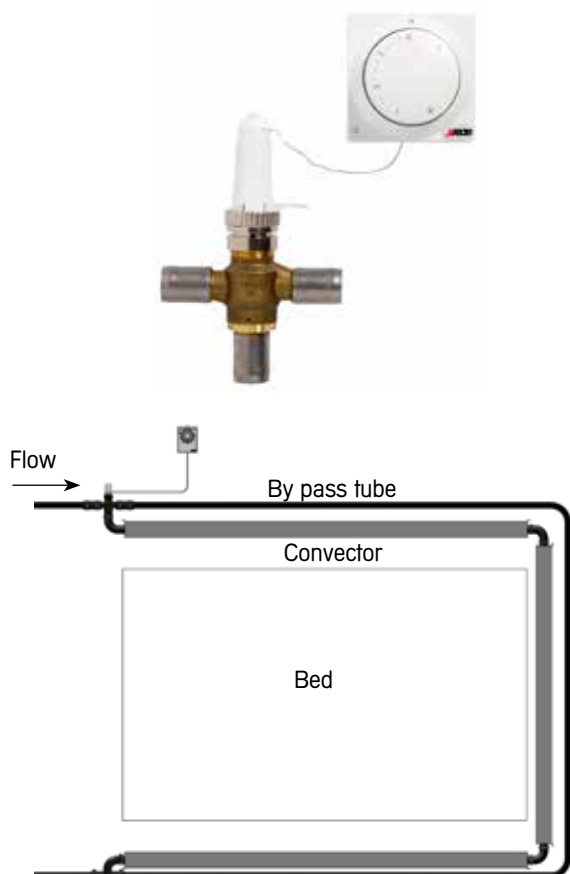
Art.No. 1900 641 with six convectors.



Technical data	
Dimensions:	B 330 × H 126 × D 151 / 210 mm
Output:	500 / 700 W vid $\Delta T = 50\text{ }^{\circ}\text{C}$
Voltage:	10 - 14 V DC
Power consumption:	350 mA
Weight:	1.3 / 2.2 kg
Connection:	$\varnothing$ 22 mm







## Thermostatic bypass two zone comfort

Alde's temperature control allows you to adjust the temperature in a second area, giving two different heating zones in the vehicle. A second thermostat regulates the temperature of the selected area, such as a bedroom, toilet or garage.

This is recommended for larger vehicles. Installation is normally carried out by the vehicle manufacturer, but the temperature control can also be retro-fitted.

Art.No. 1900 275

Technical data	
Max storage temperature:	50 °C
Length of capillary tube:	2 + 2 m
Material:	Polyamid
Measurement sensor:	24 mm
Weight:	280 g
Connection:	Ø 22 mm

# Panel radiator



## Panel radiator

Designed panel radiator in aluminium. Suitable for confined spaces such as toilets, wardrobes, in which it is difficult to install an ordinary convector. Includes bleeder screw on top.

For Ø 22 mm heating system.

- Art.No 1900 686 500 mm White RAL 9016
- Art.No 1900 687 500 mm Silver RAL 9006
- Art.No 1900 680 700 mm White RAL 9016
- Art.No 1900 681 700 mm Silver RAL 9006

Technical data	
Output:	110 / 150 W vid $\Delta T = 50 \text{ }^\circ\text{C}$
Height:	500 / 700 mm
Width:	220 mm
Weight:	1.7 / 2.4 kg
Connection:	Ø 22 mm

### Spare parts

- Art.No. 1900 691 Mounting kit White
- Art.No. 1900 692 Mounting kit Silver / grey



### Towel radiator

An exclusive Towel radiator for bathrooms and toilets. The Towel radiator is traditionally constructed for practical hanging up of towels and has a high performance heat output.

The installation dimensions of the Towel radiator are designed for caravans, motor homes and boats.

It is produced in steel, powder lacquered in RAL 9016 and equipped with a thermostat for regulation of the temperature. The connections are 22 mm and it is delivered complete with adjustable wall holders.

Art.No. 1900 695 without thermostat.

Art.No. 1900 696 with thermostat.

Technical data	
Output:	200 W
Height:	825 mm
Breadth:	300 mm
Assembly depth:	48 - 70 mm
Weight:	5.1 kg
Connection:	Ø 22 mm



### Towel radiator

An exclusive Towel radiator for bathrooms and toilets. The Towel radiator is traditionally constructed for practical hanging up of towels and has a high performance heat output.

The installation dimensions of the Towel radiator are designed for caravans, motor homes and boats.

It is produced in steel, powder lacquered in RAL 9016 and equipped with a thermostat for regulation of the temperature. Delivered with adjustable wall holders.

Art.No. 1900 877

Technical data	
Output:	150 W
Height:	825 mm
Breadth:	300 mm
Assembly depth:	48 - 70 mm
Weight:	3.7 kg
Connection:	Ø 22 mm

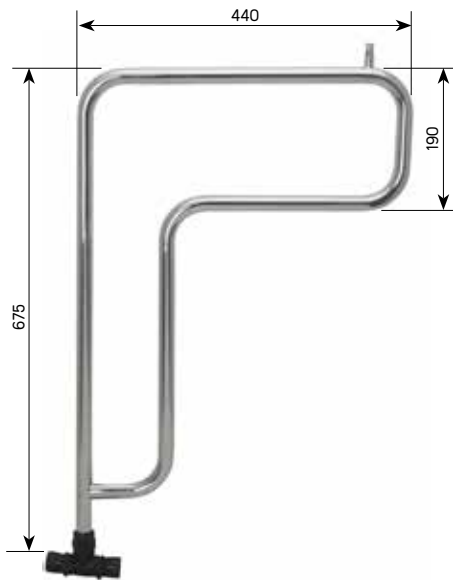


### Rubber connection

Rubber connection for heated towel rail 1900 619, and towel radiators 1900 695 and 1900 696. EPDM 21.4 x 4.25 mm. With prefitted spring Band clips.

Art.No. 1900 837



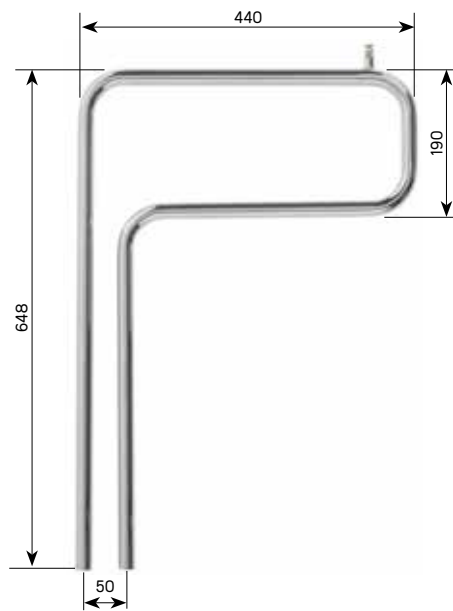


### Heater tower rail

Heated towel rail in chrome-plated steel tubing which is assembled directly into the normal central heating system. Bleed screw at the top of the heater. Ø 22 mm connection.

Use holder 1900 615 for installation.

Art.No. 1900 610



### Heater tower rail

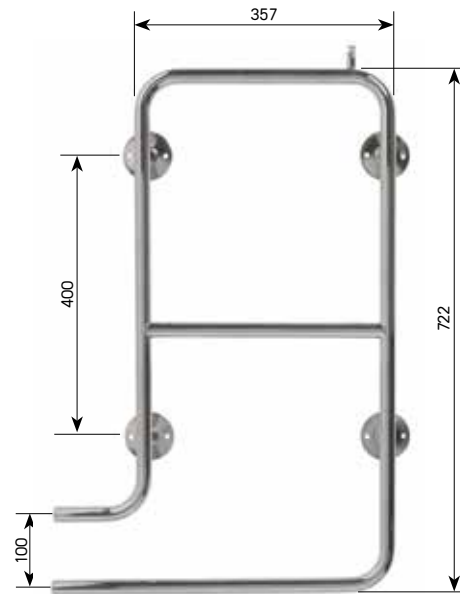
Heated towel rail in chrome-plated steel tubing which is assembled directly into the normal central heating system. Bleed screw at the top of the heater. Ø 22 mm connection.

Use holder 1900 615 for installation.

Art.No. 1900 619

**Heater tower rail**

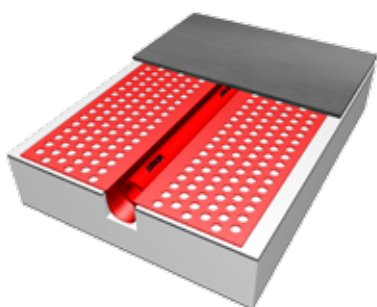
Heated towel rail in chrome-plated steel tubing which is assembled directly into the normal central heating system. Bleed screw at the top of the heater. Ø 22 mm connection.  
Art.No. 1900 869



**Holder**

Holder for towel heater rail (not 1900 869), chrome-plated.  
10 pcs/pack.  
Art.No. 1900 615





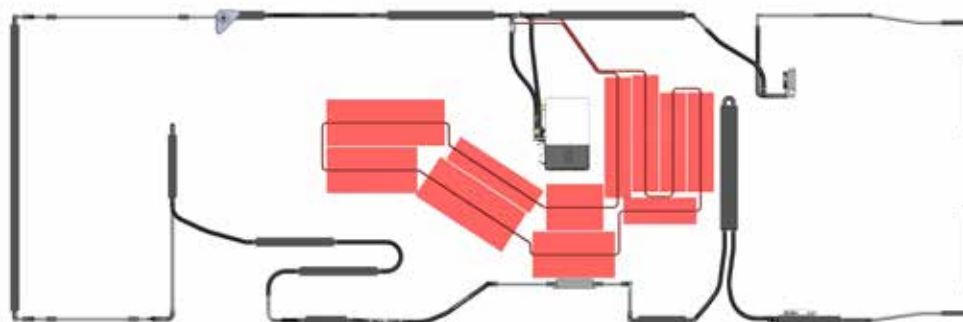
**Floor heating**

Floor heating system consisting of "PE-X-aluminium-, PE-X" heat pipe, Ø 12 x 2 mm, which is flexible and easy to lay in the heating plates.

The thin aluminium heating plates, only 0.3 mm, are perforated so that glue can penetrate through resulting in better adhesion to the surface material.

Shut-off cock 1500 202 is used for easy control of the flow to the underfloor heating.

There is a special shunt package available for more advanced control.



**Pipe**

Floor heating pipe Ø 12 mm. "PE-X - aluminium - PE-X". 100 m/pack.

Art.No. 1500 100



**Coupling**

Straight coupling for Ø 12 mm pipe to coupling 1500 201. Ø 12 - 15 mm. 10 pcs/pack.

Art.No. 1500 200



**Coupling**

Straight coupling for connection of the floor heating system to the central heating system. Ø 22 - 15 mm. 10 pcs/pack.

Art.No. 1500 201



**Union coupling**

Straight union coupling for Ø 12 mm pipe. 10 pcs/pack.

Art.No. 1500 203



**Elbow coupling**

Elbow coupling for Ø 12 mm pipe. 10 pcs/pack.

Art.No. 1500 204



**Locking clip**

Locking clip for couplings. 100 pcs/pack.

Art.No. 1500 210 12 mm.

Art.No. 1500 211 15 mm.



**Shut-off cock**

Shut-off cock for floor heating system for Ø 12 mm pipe. 50 pcs/pack.

Art.No. 1500 202



## Floor plate

Floor plate of aluminium for Ø 12 pipe.

Art.No. 1500 300 1000 × 180 × 0,3 mm.

Art.No. 1500 305 1000 × 315 × 0,3 mm.



## Pipe connection

Pipe connection Ø 22 mm - Ø 12 mm. Length 110 mm.

Art.No. 1900 188



## Pipe connection

Pipe connection Ø 22 mm - Ø 12 mm. Length 110 mm.

Art.No. 1900 187



## Pipe connection

Pipe connection Ø 22 mm - Ø 12 mm. Length 150 mm.

Art.No. 1900 141



## Pipe connection

Pipe connection 90° Ø 22 mm - Ø 12 mm.

100 x 100 mm.

Art.No. 1900 140



## Rubber Hose

Rubber EPDM.

Art.No. 1900 043 Ø 11,5 mm int. Ø 17,5 mm ext. 130 m / package.

Art.No. 1900 044 Ø 15,5 mm int. Ø 21,5 mm ext. 90 m / package.



## Shunt package

Using the shunt package the floor heating is run as a separate unit with its own thermostat and circulation pump, where the outgoing temperature of the fluid is controlled. If the floor heating is run as a separate circuit, which is also temperature controlled (fluid temp.), the flow will always be constant, the temperature of the floor surface more even and the convector circuit "undisturbed".

When the convector circuit is not affected the heat output becomes more even and the flow is always constant. Besides, the user of the vehicle can determine the floor temperature to suit their requirements, regardless of the value set on the boiler's thermostat.

**The boiler and convector circuit need to be converted!**

Art.No. 1900 250



### Technical data

Dimensions:	B 300 × H 148 × D 258 mm
Power consumption:	0,25 – 1,9 A
Connection:	Ø 16 / Ø 22 mm
Weight:	2,0 kg

*Floor heating should always be seen as a supplement to enhance comfort and is not intended to be the main heating.*



**Convactor retraining bracket**

Convactor retraining bracket in aluzinc for convector and convector protector.

Art.No. 1900 126



**Convactor mounting bracket**

Convactor mounting bracket in aluminium for Ø 22 pipe and convectors.

Art.No. 1900 146



**Support for convectors**

Centre support for long convectors.

Art.No. 1900 147



**Floor-mounted convector bracket**

Floor mounting convector bracket in aluminium for pipe and convector. 150 mm c/c.

Art.No. 1900 168



**Half clamp**

Half clamp in stainless steel for Ø 22 mm pipe. 100 pcs/pack.

Art.No. 1900 114



**Clip**

Band clip for maximum strength and sealing of rubber fastenings.

Art.No. 1900 176 29 × 12 mm. 700 pcs/pack.

Art.No. 1900 177 27 × 12 mm.

Art.No. 1900 051 21 × 12 mm. 1200 pcs/pack.

Art.No. 1900 052 17 × 12 mm.



**Super Heavy Duty Pliers**

Special super heavy duty pliers with locking for band clip.

Art.No. 1900 178



**Sealing compound**

Loctite 5923 liquid elastic sealing compound. Is used on such things as joints between rubber connections and pipes. Volume 117 ml.

Art.No. 1900 174

**Ball valve**

Ball valve tap with connections for Ø 22 mm hose.

Art.No. 1900 087



**Ball valve**

Brass ball valve tap ¾" R female.

Art.No. 1900 159



**Nipple**

Nipple for Ø 22 mm hose. ¾" R.

Art.No. 1900 104



**3-way valve**

3-way valve for bypass in the heating system. Used, for example, for heating in the motor home's garage section. 3 x ½" R female.

Art.No. 1900 109



**Nipple**

Brass nipple for 3-way valve 1900 109. Ø 22 - ½" R male.

Art.No. 2750 303



**Air bleed extension**

Air bleed extension of the venting screw. ⅛" R. Length 300 mm. Only fits 1900 515, 1900 545, 1900 006 and 1900 520.

Art.No. 1800 300



**Air bleed**

Air bleed. ⅛" R.

Art.No. 1900 204 ⅛" R.

Art.No. 1900 277 Ø 12 mm.



**Bracket**

Bracket for rubber hose. 500 st/förp.

Art.No. 1900 127



**Hose pinch pliers**

Pliers with lock. Used for clamping rubber hoses when mounting and dismantling products on heating systems without draining the glycol mixture.

Art.No. 1900 172

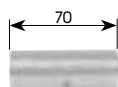




## Aluminium pipe

Aluminium pipe Ø 22x1 mm. Length 5 m.

Art.No. 1900 301



## Stub

Connector pipe in aluminium Ø 22x1 mm. 25 pcs/pack.

Art.No. 1900 119



## Pipe with non-return valve

To prevent the heating system circulating on its own.  
Ø 22 mm.

Art.No. 1900 870

**Rubber hose**

Rubber hose. EPDM 21.4 x 4.25 mm.  
Per metre. 25 m/pack.  
Art.No. 1900 002



**Rubber hose**

Rubber hose for slide-out walls. EPDM 21.4 x 4.25 mm.  
Length 1 m.  
Art.No. 1900 213



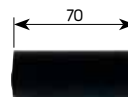
**Blanking cap**

Blanking cap. EPDM 21.4 x 4.25 mm.  
Art.No. 1900 030



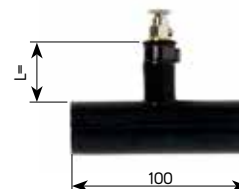
**Rubber joint**

Rubber joint EPDM 21.4 x 4.25 mm. 25 pcs/pack.  
With mounted band clips.  
Art.No. 1900 528



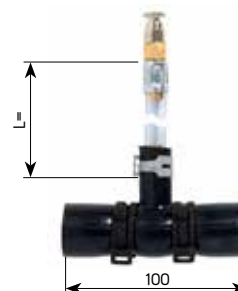
**Rubber joint**

Rubber joint with bleeder screw. EPDM 21.4 x 4.25 mm.  
25 pcs/pack. With mounted band clips.  
Art.No. 1900 526 L= 30 mm.  
Art.No. 1900 853 L= 120 mm.

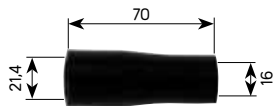


**Rubber connection**

Rubber connection with bleed screw. EPDM 21.4 x 4.25 mm.  
25 pcs/pack. With mounted band clips.  
Art.No. 1900 860 L= 300 mm hose length.  
Art.No. 1900 861 L= 600 mm hose length.

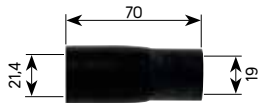






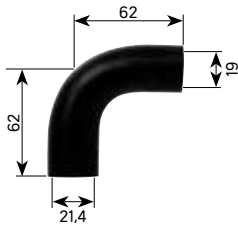
**Hose reduction**

Hose reduction 16 › 21.4 x 4.25 mm. EPDM.  
Art.No. 0714 871



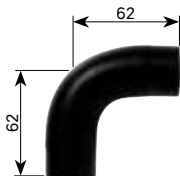
**Hose reduction**

Hose reduction 19 › 21.4 x 4.25 mm. 25 pcs/pack.  
With mounted band clips.  
Art.No. 1900 541



**Hose reduction**

Rubber elbow 90° with reduction 19 › 21.4 x 4.25 mm. EPDM.  
25 pcs/pack. With mounted band clips.  
Art.No. 1900 531



**Rubber elbow**

Rubber elbow 90°, EPDM 21.4 x 4.25 mm.  
25 pcs/pack. With mounted band clips.  
Art.No. 1900 523



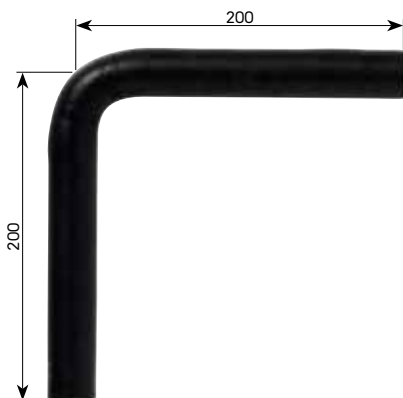
**Rubber elbow**

Rubber elbow 90° with bleeder screw. EPDM 21.4 x 4.25 mm.  
25 pcs/pack. With mounted band clips.  
Art.No. 1900 520



**Rubber elbow**

Rubber elbow 90° with bleeder screw. EPDM 21.4 x 4.25 mm.  
25 pcs/pack. With mounted band clips.  
Art.No. 1900 218



**Rubber elbow**

Rubber elbow 90°, EPDM 21.4 x 4.25 mm.  
25 pcs/pack. With mounted band clips.  
Art.No. 1900 529

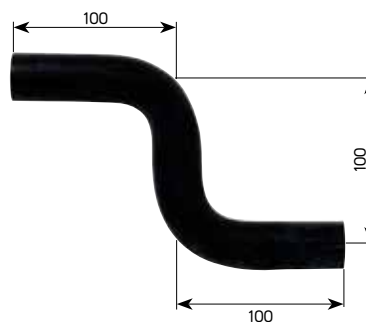
**Rubber drain**

Rubber joint, T-shaped for drain. EPDM 21.4 x 4.25 mm.  
25 pcs/pack. Complete with band clips and plug.  
Art.No. 1900 518



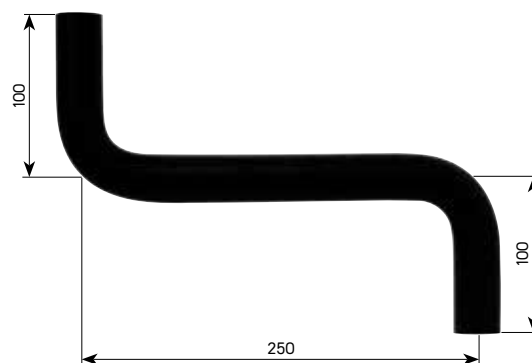
**Rubber joint**

Rubber joint, S-shaped. EPDM 21.4 x 4.25 mm.  
25 pcs/pack. With mounted band clips.  
Art.No. 1900 530



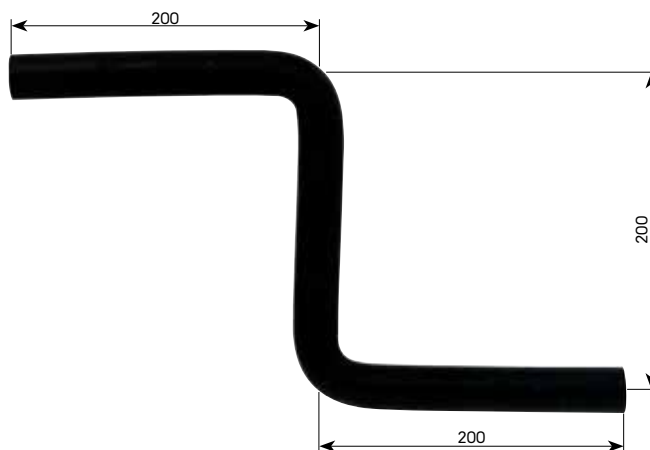
**Rubber joint**

Rubber joint, S-shaped. EPDM 21.4 x 4.25 mm.  
25 pcs/pack. With mounted band clips.  
Art.No. 1900 519



**Rubber joint**

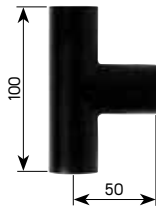
Rubber joint, S-shaped. EPDM 21.4 x 4.25 mm.  
25 pcs/pack. With mounted band clips.  
Art.No. 1900 577



**Rubber joint**

Rubber joint, U-shaped. EPDM 21.4 x 4.25 mm.  
25 pcs/pack. With mounted band clips.  
Art.No. 1900 589





**Rubber joint**

Rubber joint, T-shaped. Complete with mounted band clips. EPDM 21.4 x 4.25 mm. 25 pcs/pack.

Art.No. 1900 524



**Rubber joint**

Rubber joint, T-shaped with bleeder screw. Complete with mounted band clips. EPDM 21.4 x 4.25 mm. 25 pcs/pack.

Art.No. 1900 517

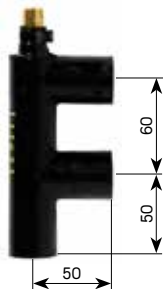


**Rubber joint**

Rubber joint, T-shaped with hose and bleeder screw. Complete with mounted band clips. EPDM 21.4 x 4.25 mm.

Art.No. 1900 245 L= 300 mm tube length.

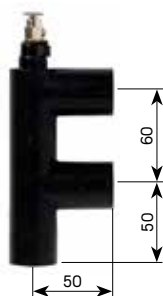
Art.No. 1900 862 L= 600 mm tube length.



**Rubber joint**

Rubber joint, F-shaped. Complete with mounted band clips. EPDM 21.4 x 4.25 mm. 25 pcs/pack.

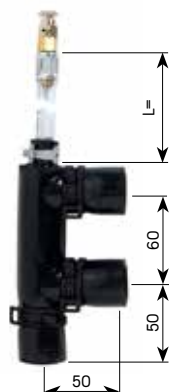
Art.No. 1900 573



**Rubber joint**

Rubber joint, F-shaped with bleeder screw. Complete with mounted band clips. EPDM 21.4 x 4.25 mm. 25 pcs/pack.

Art.No. 1900 557



**Rubber joint**

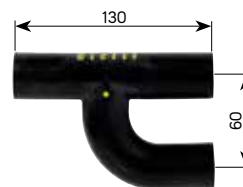
Rubber joint, F-shaped with hose and bleeder screw. Complete with mounted band clips. EPDM 21.4 x 4.25 mm.

Art.No. 1900 247 L= 300 mm tube length.

Art.No. 1900 965 L= 600 mm tube length.

**Rubber joint**

Rubber joint, Y-shaped. Complete with mounted band clips.  
 EPDM 21.4 x 4.25 mm. 25 pcs/pack.  
 Art.No. 1900 522



**Rubber joint**

Rubber joint, Y-shaped with bleeder screw.  
 Complete with mounted band clips.  
 EPDM 21.4 x 4.25 mm. 25 pcs/pack.  
 Art.No. 1900 521



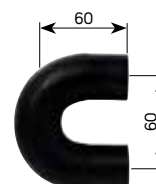
**Rubber joint**

Rubber joint, Y-shaped with hose and bleeder screw.  
 Complete with mounted band clips.  
 EPDM 21,4 x 4,25 mm. 25 st/förp.  
 Art.No. 1900 961 L= 300 mm tube length.  
 Art.No. 1900 964 L= 600 mm tube length.



**Rubber joint**

Rubber joint, U-shaped. Complete with mounted band clips.  
 EPDM 21.4 x 4.25 mm. 25 pcs/pack.  
 Art.No. 1900 525



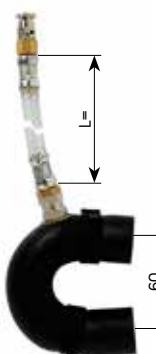
**Rubber joint**

Rubber joint, U-shaped with bleeder screw.  
 Complete with mounted band clips.  
 EPDM 21.4 x 4.25 mm. 25 pcs/pack.  
 Art.No. 1900 545



**Rubber joint**

Rubber joint, U-shaped with hose and bleeder screw.  
 Complete with mounted band clips.  
 EPDM 21.4 x 4.25 mm. 25 pcs/pack.  
 Art.No. 1900 246 L= 300 mm tube length.





**Electric heater**

Electrical heating cartridge in stainless steel with 230 V circulation pump.

Built-in transformer 230V > 12 V for power supply to the room thermostat. Control of room temperature and choice of power takes place via the room thermostat.

Assembly set: Room thermostat, 4 m cable to room thermostat and anchor plate. With Euro plug.

Art.No. 2772 901

Technical data	
Length:	400 mm
Height:	150 mm
Width:	90 mm
Weight:	2.3 kg
Rated voltage:	230 V
Element power:	2100 W (2 × 1050 W)
Motor power:	23 W
Connection pipe:	Ø 22 mm
Volume glycol fluid:	0.8 lt
Max. pressure glycol fluid:	0.05 MPa ( 0.5 bar)

**Service pump kit**



**Alde Filler / Bleed Pump Kit**

The Alde service pump is an unbeatable aid for filling Alde heating systems. The unit allows the operator to quickly fill and remove air from even the largest heating system in minutes. It is an essential tool for service centres and dealers working with Alde systems.

For expansion tank 3000 420 and 3000 495.

Art.No. 1900 811





## // Continual development

**Alde was founded** more than 60 years ago by Alde Rask. Without this ingenious inventor from the small town of Färlöv in Sweden, the world wouldn't be quite the same. His ideas about improved comfort in campers and caravans still characterise all of our operations, and we are constantly striving to be even better.

**In our refrigeration chambers** we can simulate the most extreme conditions, all the way down to  $-35\text{ }^{\circ}\text{C}$ , and measure how they affect the indoor climate in campers and caravans. This helps us to develop our heating system to perfection, so that your customers can fully utilise their time in their campers and caravans all year round without problems.

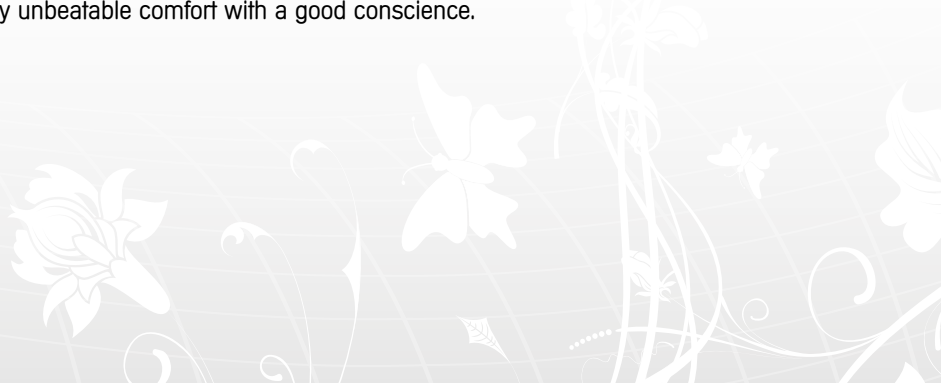




## **Environmentally friendly** technology for your well-being

**Nothing can beat** hydronic heating. Quiet, even and enclosing operation; it's just there, but without being noticed – true quality heating.

**We use LPG** as the primary source of energy in our heating systems. LPG is not only highly efficient, it also offers an environmentally friendly energy alternative, free from dust, heavy metals, sulphur and other contaminants. With Alde's heating system you can enjoy unbeatable comfort with a good conscience.



# Accessories







### Glycol fluid

Premixed and ready to use ethylene glycol antifreeze, specially formulated for Alde heating systems and containing silicated OAT. VAG G13 Spec. Protects to  $-37^{\circ}\text{C}$ .

Supplied in plastic bottles of 1, 4 or 25 litres. Only available in boxed quantities.

Art.No. 4070 120	1 lt. 12 pcs/pack.
Art.No. 4070 121	4 lt. 3 pcs/pack.
Art.No. 4070 123	25 lt.



### In-store stand for Alde glycol

In-store stand of strong corrugated grade with lacquered printing.

Three shelf tiers with room for six 4 litre cans or 32 1 litre bottles. We will supply an in-store stand free with every purchase of 60 litres or more of glycol.

To order, contact Alde.

Dimensions: 360 x 400 x 1720 mm (incl. sign at top).

The sign at the top is available in the following languages: Swedish, Norwegian, Danish, German, English and French.



### Discrete sensor

Used to site a sensor wherever it is needed, or if the control panel's integrated sensor is affected by another heat source. Includes 2.0 m cable.

For control panels 3010 213 / 413 / 613 and 3020 113.

Art.No. 3010 346



### Battery backup

Used to retain the control panel settings when the vehicle's main switch is off.

For 2x AA batteries (not included).

For control panels 3010 413 / 613 and 3020 113.

Art.No. 3010 420



### Outdoor sensor

Sensor with 2.5 m cable for measuring outdoor temperature. The temperature is indicated on the control panel display.

For control panels 3010 213 / 413 / 613 and 3020 113.

Art.No. 3010 299



### Load monitor

Used to limit power consumption of the vehicle. Automatically reduces the output of the electric element in the boiler in stages if the load is too high, e.g. if a coffee maker is switched on. Cable length 6 m.

For control panels 3010 213 / 413 / 613 and 3020 113.

Art.No. 3010 315



### Condensate spout

An accessory for every winter camper.

Ice formation on the side of the vehicle in winter is a well-known problem for caravan and motor caravan owners. The Condensate spout just clicks onto the wall flue. It also ensures the vehicle's heating system continues to operate. New flue cap in matching colour included.

Art.No. 3010 699





### Alde Smart Control

The app which makes life easier for those with an Alde heating system.

#### It lets you do the following:

- Switch the control panel on/off.
- Set the desired temperature.
- Switch the hot water on/off/boost ("off" only for 3020).
- Switch the electric element on/off, and select the output.
- Switch LPG operation on/off.

#### Other functions:

- Battery alarm via SMS.
- Temperature alarm via SMS.
- Additional outputs for controlling e.g. a fridge or alarm.

#### Contents:

Electronics box, manual and connector.

To use the Alde Smart Control, a SIM card is needed with topped up credit or payment plan for the electronics box. Suitable for Alde control panels with RS232 port (3020013, 3020113, 3010513 and 3010613).

Smartphone and SIM card not included.

The app can be downloaded from App Store or Google Play.

Art.No. 3020 057





## Control Panel Upgrade

For users with an older control panel for Alde Compact 3010, they can now update to the latest model, 3010 613.

An exclusive pack for the accessories shelf which sells well.

An installation frame is included for those customers who upgrade from the older LCD panel 3010 213. For those upgrading from the black and white control panel 3010 413, only the vertical installation dimension of 10 mm needs adjusting.

A new manual and installation instructions are included.

Art.No. 3010 615





### High-temperature mixing valve

Mixing valve for wall mounting. The desired hot water temperature is set with the control knob to between 38 and 48°C. The valve is ideally suited to prevent scolding water from the shower and wash basin.

Art.No. 3102 002

Technical data	
Height:	126 mm
Breadth:	165 mm
Depth:	52 mm
Connection:	Quick connector Ø 12 mm
Weight:	0.7 kg



### Ball valve

Brass ball valve tap 1/4" R female. 30 pcs/pack.

Art.No. 3565 000



### Hose nipple

Hose nipple for Ø 12 mm hose. 1/4" R male.

Art.No. 2950 147 for Ø 10 mm hose.

Art.No. 2950 135 for Ø 12 mm hose.



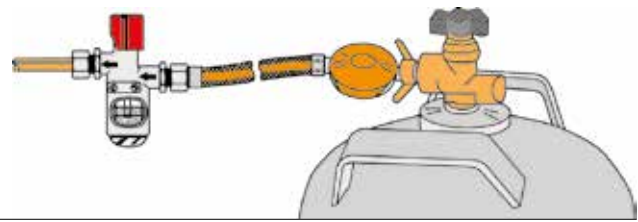
### Non-return valve

Non-return valve in chrome plated brass. 1/4" R female.

Art.No. 3568 000

## A simple and important security detail

A simple and important safety detail that should be installed in all LPG systems. With the leakage tester from Alde tightness is controlled by the red cap is pressed. The leakage test device offers many advantages.



### Leak detector

Leak detector with  $\varnothing$  8 mm pipe connections. Including nozzles for  $\varnothing$  8 mm hose, glycol fluid and screws.

Size: H 95 x D 30 mm. Weight 0.2 kg.

Art.No. 4071 805



### Leak detector

Leak detector with  $\varnothing$  8 mm pipe connections. Including nozzles for  $\varnothing$  10-12 mm hose, glycol fluid and screws.

Size: H 95 x D 30 mm. Weight 0.2 kg.

Art.No. 4071 806



### Leak detector

Leak detector with  $\varnothing$  8 mm pipe connection IN and  $\varnothing$  10 mm OUT. Including glycol fluid and screws.

Size: H 95 x D 30 mm. Weight 0.2 kg.

Art.No. 4071 807



### Leak detector

Leak detector with  $\varnothing$  10 mm pipe connection IN and  $\varnothing$  10 mm OUT. Including glycol fluid and screws.

Size: H 95 x D 30 mm. Weight 0.2 kg.

Art.No. 4071 808



### Spare parts for leak detector

Art.No. 4071 125 Glycol fluid.

Art.No. 4071 013 Sight glass and glycol fluid.





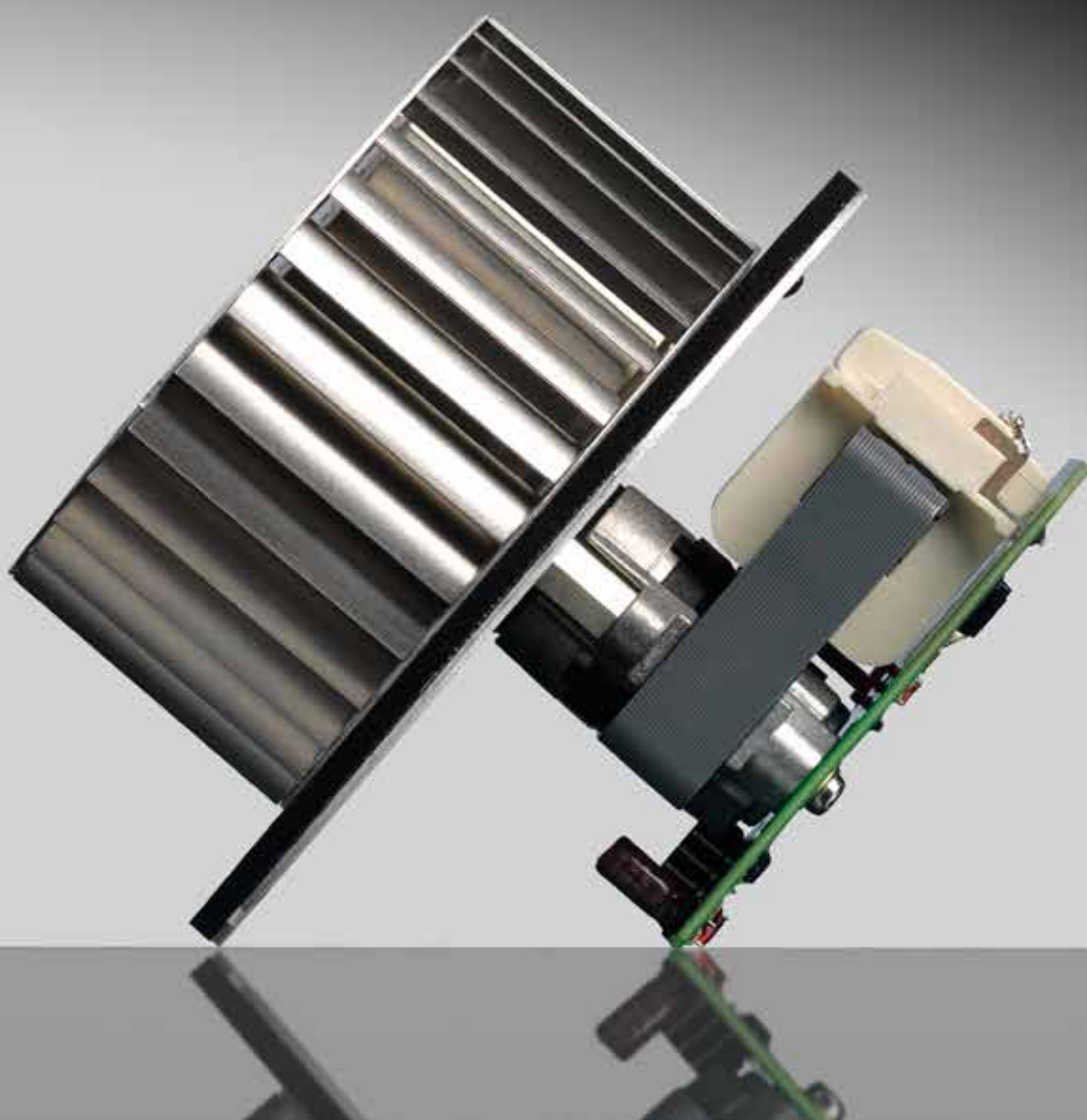
## Proudly made in Sweden

**Ever since Alde's founding in 1949**, all development and production has been in southern Sweden in the Scanian town of Färlöv. This is where we have our main office and production plant with a staff of about 70.

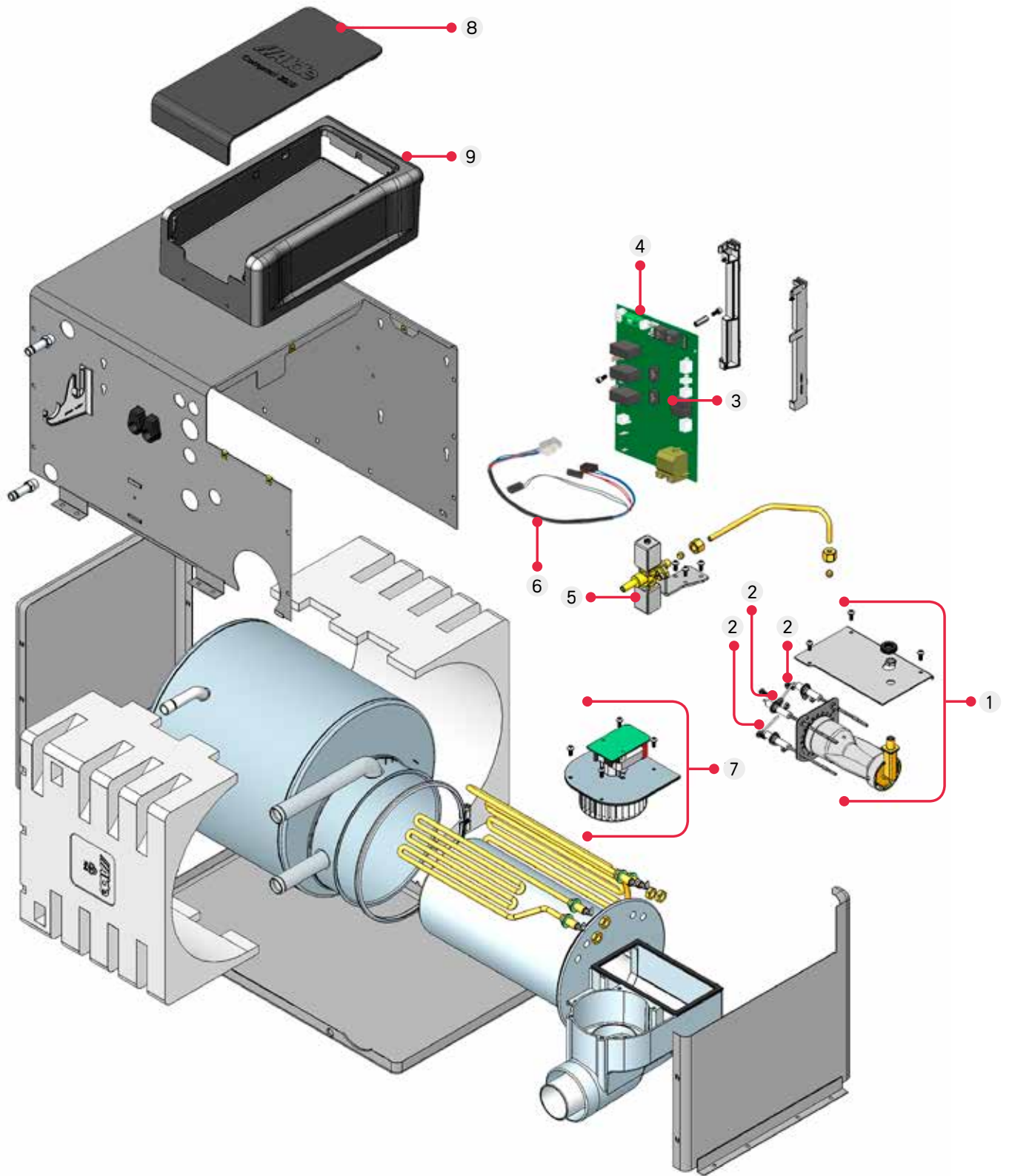
**Our inclement Swedish climate** equips us well for working with heating for campers and caravans. We are familiar with the hardships that both technology and people can be subjected to. This places high demands on quality and reliability, something we have become known for all over the world and that we also take a lot of pride in.

# Spare parts Alde Compact 3020

SPARE PARTS  
COMPACT 3020









## Boiler rebuild

Replacing a frost, corrosion or accident damaged boiler requires a new boiler body (includes internal heat exchanger).

Supplied without internal working parts, connections or fittings. Only available via Alde Service Care.

Art.No. 3020 9099



## Burner

Burner, complete with spark plug and sensor. Also fits the Compact 3010.

Art.No. 3010 301



1

## Ignition set

Ignition set consisting of two spark plugs and sensor. Also fits the Compact 3010.

Art.No. 3010 306



2

## Circuit board

Circuit board with ignition transformer.

Art.No. 3020 040 for model A.

Art.No. 3020 140 for model HE.



3

## Fuse

Fuse 3.15 A for Circuit board. Also fits the Compact 3010.

Art.No. 3010 339



4

## Solenoid valve

Solenoid valve complete. Also fits the Compact 3010.

Art.No. 3010 304



5

## Sensors

Sensors for thermostat, overheating protection and domestic hot water.

Art.No. 3020 039



6

7

**Combustion fan**

Combustion fan, 9 volts.  
Also fits the Compact 3010 and Compact 3000 with roof-mounted flue.

Art.No. 3000 452

8

**Service hatch lid**

Service hatch lid for Compact 3020.

Art.No. 3020 011

9

**Service hatch**

Service hatch for Compact 3020.

Art.No. 3020 010

**Front cover**

Front cover for Control panel.

Art.No. 3010 616 Silver for 3020 113 and 3010 613.

Art.No. 3010 618 Black for 3020 114.

**Domestic cold water connection**

Angle 90° for cold water.

Art.No. 3010 475 Ø 10 mm hose connection.

Art.No. 3010 496 Ø 12 mm connection John Guest.

**Domestic hot water connection**

Angle with built-in non-return valve which allows air in when the heater is drained. For hot water. Incl. 0.5 m hose for air in.

Art.No. 3010 471 Ø 10 mm hose connection.

Art.No. 3010 571 Ø 12 mm connection John Guest.

## Automatic air bleed valve

Automatic air bleed valve with hose.

Art.No. 1900 542



## Wall flue cap

Cap in different colors for wall flue 3010 170.  
120 pcs/pack.

- Art.No. 3000 555 White
- Art.No. 3010 374 Light grey
- Art.No. 3010 373 Medium grey
- Art.No. 3010 371 Dark grey
- Art.No. 3010 372 Black





## Alde in the world

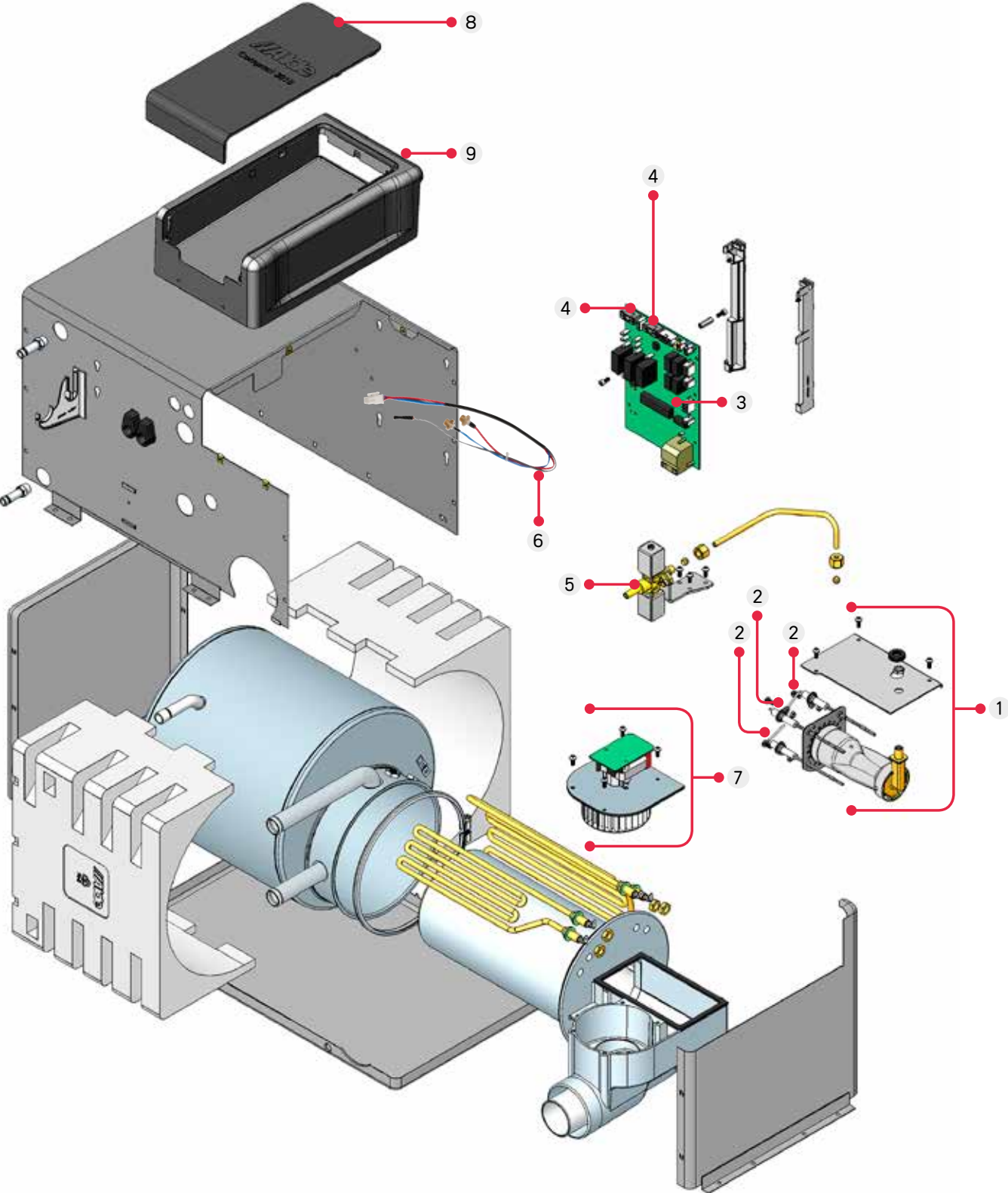
**Alde is** in Europe, the US, Canada and now even in Australia. Our European market is the largest thus far and we've been there since the end of the 60s. We now have subsidiaries in Germany and England, and as of a few years ago, in the state of Washington as well, on the American west coast.

**Our genuine Swedish brand** and our Swedish-produced products are much appreciated in our international contacts. Sweden increasingly stands for quality and reliability the world over.



# Spare parts Alde Compact 3010





## Boiler rebuild

Replacing a frost, corrosion or accident damaged boiler requires a new boiler body (includes internal heat exchanger).

Supplied without internal working parts, connections or fittings. Only available via Alde Service Care.

Art.No. 3010 9054



## Burner

Burner complete, including spark plug and sensor. Also fits the Compact 3020.

Art.No. 3010 301



1

## Ignition set

Ignition set consisting of two spark plugs and sensor. Also fits the Compact 3020.

Art.No. 3010 306



2

## Circuit board

Circuit board with ignition transformer.

Art.No. 3010 302 for boiler with 2 kW electric element.

Art.No. 3010 303 for boiler with 3 kW electric element.



3

## Fuse

Fuse 3.15 A for Circuit board. Also fits the Compact 3020.

Art.No. 3010 339



4

## Solenoid valve

Solenoid valve complete. Also fits the Compact 3020.

Art.No. 3010 304

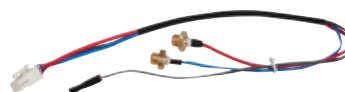


5

## Sensors

Sensors for thermostat, overheating protection and domestic hot water.

Art.No. 3010 305



6

## Combustion fan

Fan complete 9 V for all models of Compact 3010. Also fits the Compact 3020 and Compact 3000 with roof chimney.

Art.No. 3000 452



7

## Service hatch lid

Service hatch lid for Compact 3010.

Art.No. 3010 149



8

## Service hatch

Service hatch for Compact 3010.

Art.No. 3010 148

9



**Cable for programmable control panels**

Connection cable between boiler and control panels 3010 213 and 613.

Art.No. 3010 215 Length 2.5 m.

Art.No. 3010 216 Length 5.0 m.

Art.No. 3010 217 Length 8.5 m.

**Cable for manual control panel**

Connection cable between boiler and adaptor lead 3010 281 or 3010 279.

Art.No. 3010 267 Length 2.5 m.

Art.No. 3010 277 Length 5.0 m.

Art.No. 3010 278 Length 8.5 m.

**Adaptor lead for manual control panel**

Lead to connect control panel 3010 214 to cable 3010 267 / 277 / 278. Includes connection for discrete temperature sensor cable. Length 0.25 m.

Art.No. 3010 281

**Adaptor lead for control panel upgrade**

Lead to connect control panels 3010 213 and 613 to cable 3010 267 / 277 / 278. For upgrading from control panel 3010 214. Length 0.25 m.

Art.No. 3010 279

**Lead for 12 V inline circulation pump**

Lead to connect boiler and 12 V inline circulation pump. Plugs into both JP12 and JP10 socket on PCB. Length 0.2 m.

Art.No. 3010 237

**Zonal heating sensors**

Can be used either with two Discrete sensors or with a Discrete sensor and with the control panel's room sensor. Assembly set with 1 sensor, switch, 12 m cable, junction card and a cable to the switch. For control panel 3010 213 / 413 / 613.

Art.No. 3010 435

**Cable for LPG interface**

For connecting control panels 3010 413 / 613 to comms device 3010 427 and EisEx defroster 3010 428. Length 10 m.

Art.No. 3010 419

**Emergency over-ride**

Is used to override-start the boiler without using the control panel.

Art.No. 3010 218

## Control panel - Colour Touch

The control panel is compatible with all Alde's Compact 3010 boilers.

Art.No. 3010 613



## Control panel - Manual

Mechanical control panel with push switch. The control panel is compatible with all 3010 Compact boilers.

Art.No. 3010 214



## Control panel - Digital

Control panel with LCD and electronic thermostat. The control panel is compatible with all 3010 Compact boilers.

Art.No. 3010 213



## Front cover

Front cover for Control panel 3010 413.

Art.No. 3010 416 Silver

Art.No. 3010 418 Black



## Front cover

Front cover for Control panel 3010 613.

Art.No. 3010 616 Silver for 3020 113 and 3010 613.

Art.No. 3010 618 Black for 3020 114.



## Front cover

Front cover for Control panel 3010 213.

Art.No. 3010 265



## Assembly frame

Used when changing from control panel 3010 213 to 3010 613 in order to cover the existing aperture. Size: 133 x 90 mm.

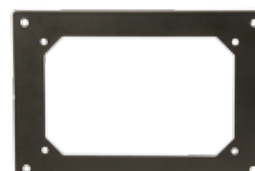
Art.No. 3010 517



## Assembly frame

Used when changing from control panel 3010 213 to 3010 214 in order to cover the existing aperture. Size: 133 x 90 mm.

Art.No. 3010 261



**Inline circulation pump**

Circulation pump for mounting on Compact 3010. Five speed with adjustable dial on motor. 6-15 L/min. Power consumption 12 Volt: 0.25 - 1.9 A. Ø 22 mm connection.

Art.No. 3010 522

**Inline circulation pump - Remote controlled**

Circulation pump for mounting on Compact 3010. Connected to control panel to allow remote control of pump speed by PWM. Five speed 6-15 L/min. Power consumption 12 V: 0.25 - 1.9 A. Ø 22 mm connection.

Art.No. 3010 514    Circulation pump.

Art.No. 3010 515    Cable. Length 13 m.

Art.No. 3010 516    Cable. Length 8.5 m.

**Inline circulation pump**

Circulation pump 230 V for mounting the heater 3010th Incl. Rubber joint, clamp, bracket and cable set. Control 12 V 25 Watt / 230 Volt.

Art.No. 2750 405

**Automatic air bleed valve**

Automatic air bleed valve with hose.

Art.No. 1900 542

## Domestic water connection

Angle 90° for cold water. Fits Compact 3010 up to series no. 91458.

- Art.No. 3000 470 10 mm hose connection.
- Art.No. 3000 570 12 mm connection John Guest.



## Domestic cold water connection

Angle 90° for cold water. Fits Compact 3010 from series no. 91459.

- Art.No. 3010 475 Ø 10 mm hose connection.
- Art.No. 3010 496 Ø 12 mm connection John Guest.



## Domestic water connection

Angle with built-in non-return valve. Fits Compact 3010 up to series no. 91458.

- Art.No. 3000 471 10 mm hose connection.
- Art.No. 3000 571 12 mm connection John Guest.



## Domestic hot water connection

Angle with built-in non-return valve which allows air in when the heater is drained. For hot water. Incl. 0.5 m hose for air in. Fits Compact 3010 from series no. 91459.

- Art.No. 3010 471 Ø 10 mm hose connection.
- Art.No. 3010 571 Ø 12 mm connection John Guest.



## Wall flue cap

Cap in different colors for wall flue 3010 170. 120 pcs/pack.

- Art.No. 3000 555 White
- Art.No. 3010 374 Light grey
- Art.No. 3010 373 Medium grey
- Art.No. 3010 371 Dark grey
- Art.No. 3010 372 Black



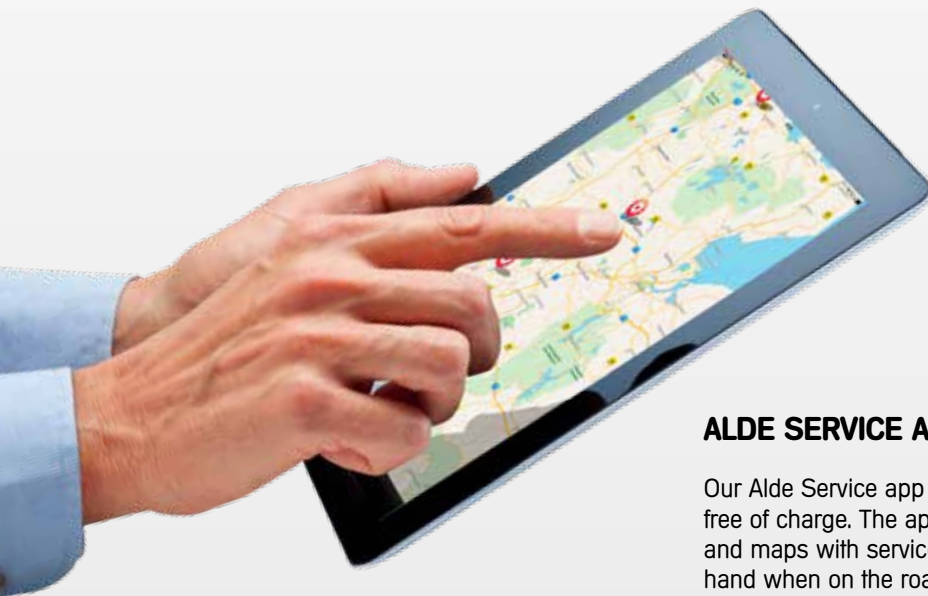
# Alde Media

---

## ALDE WEBSITE

At [www.alde.se](http://www.alde.se) you can always find the latest information and what we have in the works at Alde. Here you can download product specifications and digital publications, as well as instructions for installation and use for most of our products.

Service manuals and price lists are now also available for download. Please contact us for login details.



## ALDE SERVICE APP

Our Alde Service app for smartphones and tablets is available to all, free of charge. The app includes among other things, guides, manuals and maps with service locations – smart and practical to have on hand when on the road and at camping grounds.

## ALDE DVDS

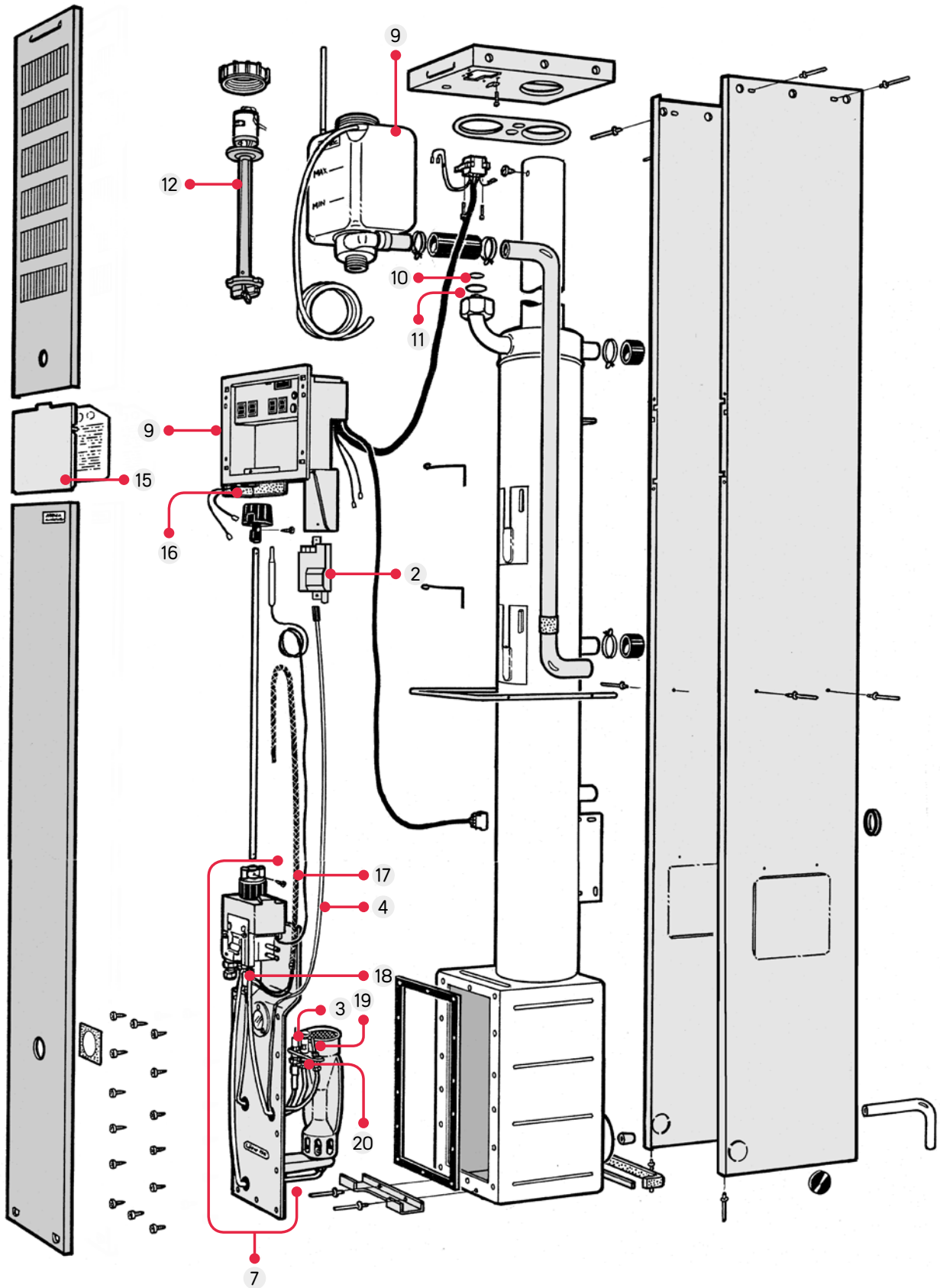
Our DVDs have been much appreciated over the years, not the least by new camper and caravan owners, who through the DVDs have gained good insight of Alde's heating system. We're planning on releasing a new updated version of the DVD this year.



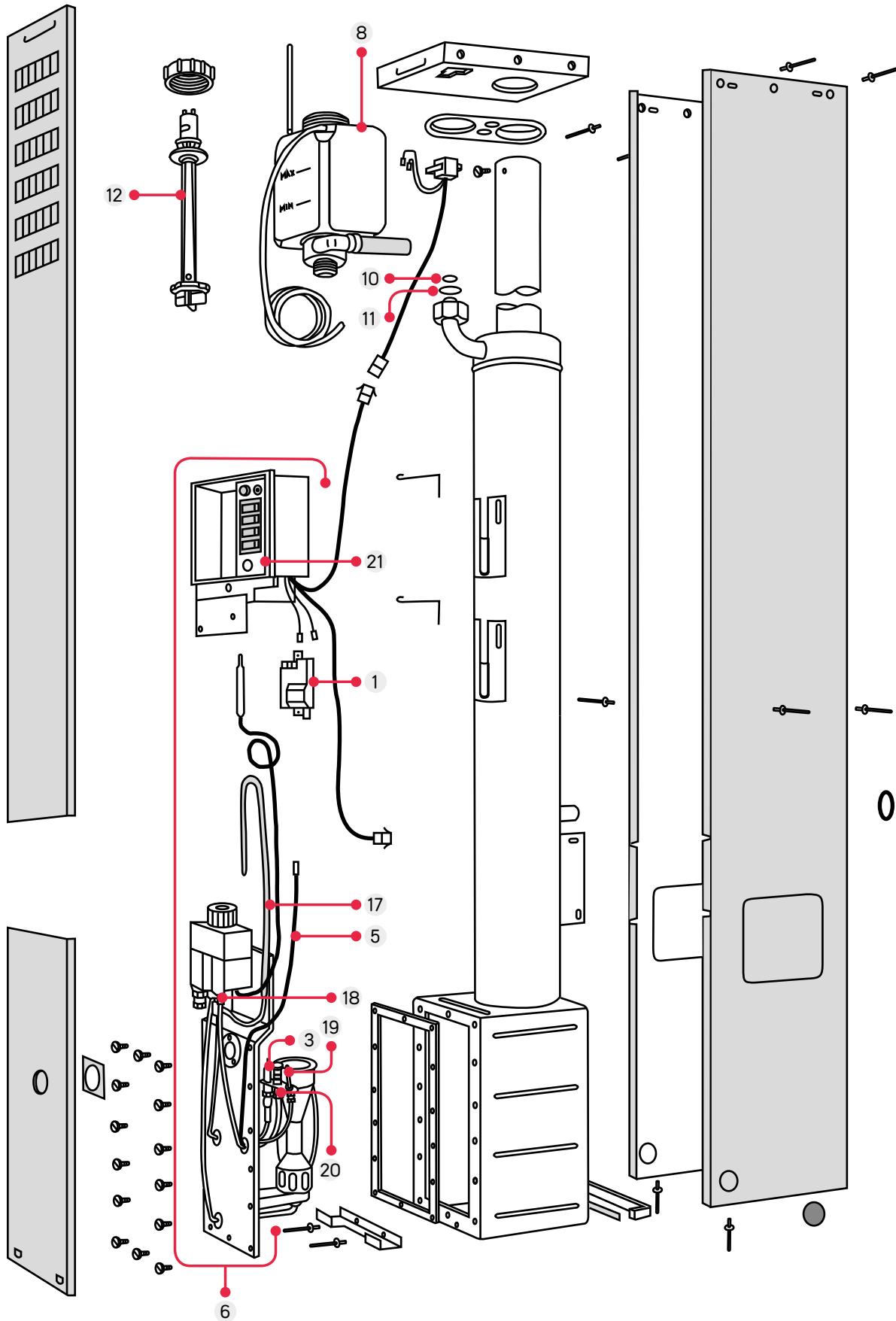
# Spare parts Alde Comfort 292x













**Burner unit**

Burner unit for Comfort 2920.

Art.No. 2920 264 30 mbar.

Art.No. 2920 267 50 mbar.

6



**Burner unit**

Burner unit for Comfort 2923 980 and 2928 980 also  
Comfort 2921 and 2925.

Art.No. 2923 400 30 mbar.

7



**Burner unit**

Burner unit for Comfort 2923 and 2928.

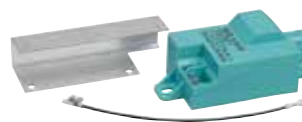
Is supplied without ignition cable and igniter.

Art.No. 2923 500 30 mbar.

Art.No. 2928 300 50 mbar.

## Ignition transformer

Ignition transformer for Comfort 2921 and 2925.  
Art.No. 2921 216



1

## Ignition transformer

Ignition transformer for Comfort 2923 and 2928.  
Art.No. 2923 225



2

## Piezo igniter

Piezo igniter for Comfort 2920.  
Art.No. 2920 266



## Spark electrode

Spark electrode. For all Comfort boilers.  
Art.No. 2923 207



3

## Ignition cable

Ignition cable for 2923 / 2928 (not model 980).  
Length 1050 mm.  
Art.No. 2923 208



4

## Ignition cable

Ignition cable for 2920, 2921, 2925 and also  
for 2923 980 and 2928 980. Length 440 mm.  
Art.No. 2923 417



5

## Control box

Control box for Comfort 2923 and 2928.  
(not for model 980).  
Art.No. 2923 112



14

## Hatch

Hatch for 2923 and 2928 (not for model 980).  
Art.No. 2923 111



15

## Micro switch

Micro switch for Comfort 2923 and 2928 (not for model 980).  
Art.No. 2923 114



16

## Overheating protection

Overheating protection. For all Comfort boilers.  
Art.No. 2920 230



17

## Joint plug

Joint plug between overheating protection and gas valve.  
For all Comfort boilers.  
Art.No. 2900 271



18

19

**Thermo-element**

Thermo-element. For all Comfort boilers, except 2930.  
Art.No. 2920 245

20

**Pilot burner**

Pilot burner. For all Comfort boilers.  
Art.No. 2923 201

21

**Indicator instrument**

Indicator instrument for 2920 / 2921 and 2925.  
Art.No. 2930 117

8

**Expansion tank**

Expansion tank with long connecting pipe. For Comfort boilers with water heater of throughput type (model 2957).  
Art.No. 2930 410

9

**Expansion tank**

Expansion tank with short connecting pipe. For Comfort boilers with water heater of storage type (model 2959).  
Art.No. 2930 413

10

11

**O-Ring**

O-ring for expansion tank (is always replaced at the same time as the expansion tank).

Art.No. 2930 131 18.77 × 1.78 mm.

Art.No. 2930 132 19.2 × 3.0 mm.

12

**Circulation pump**

Circulation pump with screw plinth. Suitable for Comfort boilers with larger heating systems.

Art.No. 2928 433

## Flue cap

Flue cap for mounting on flue pipe 2960 561.

Art.No. 2960 516



## Flue pipe

Flue pipe with three bendable tongues for the flue cap 2960 516.

Is mounted on the extension pipe. Length 110 mm.

Art.No. 2960 561



## Extension pipe

Is mounted between the boiler and the flue pipe on 2923, and between the boiler and the flue on 2928. Can also use as a extension on the inlet pipe on Comfort 2923.

Art.No. 2900 556 Length 130 mm.

Art.No. 2960 562 Length 500 mm.

Art.No. 2900 549 Length 1000 mm.



## Assembly set

Assembly set for roof duct.

Art.No. 2960 520



## Roof duct

Roof duct for extension pipe.

Art.No. 2960 522 Height 26 - 30 mm.

Art.No. 2960 524 Height 36 - 40 mm.



## Inlet funnel

Inlet funnel for combustion air for 2923. Is attached to the inlet pipe under the boiler.

Art.No. 2923 551



## Inlet hose

Inlet hose for 2928. L = 2300 mm. Ø 65 mm.

Art.No. 2924 531



## Hose clip

Hose clip for inlet hose 2924 531.

Art.No. 3000 314



**Socket panel**

Socket panel for 12 V power connection on the boiler.

Art.No. 2922 249

**Flat pin connectors**

Flat pin connectors for the socket panel.

Art.No. 2922 260

**Room thermostat**

Room thermostat 12 V for Comfort boilers.

Art.No. 2900 560

**Hot water heater**

Hot water heater of throughput type in which the water is heated as it is used. Adjustment for summer or winter settings. The heater is suitable for all Comfort boilers types 2920, 2921 and 2925 and types 2923 and 2928 which have two connecting pipes on the back of the boiler.

Art.No. 2957 921

**Cable gland**

Cable gland. Sealed on the control axle for summer and winter settings for 2957.

Art.No. 2950 004

**Hot water heater**

Hot water heater of storage type with fresh water cistern in stainless steel. The entire heater is insulated for maximum heat retention.

Suitable for Comfort boilers 2923 and 2928, which have four connecting pipes on the back of the boiler.

Art.No. 2959 901

**Assembly set for 2959**

Assembly set for hot water heater type 2959 for installation behind the Comfort boiler.

Art.No. 2959 806



# Alde Training

---



## PRODUCT TRAINING

So that camper and caravan owners can get the best service when they need help with their Alde heating system, we continuously train the personnel at our dealers and service locations. We go through how the entire system works, from the boiler design to troubleshooting and the measures taken if problems arise.

Our representatives' well-trained and knowledgeable personnel are very valuable to us at Alde – they are our ambassadors!



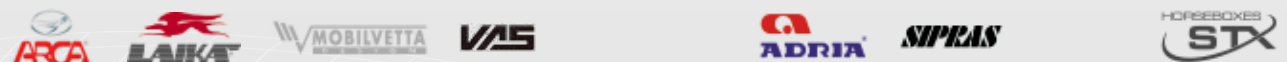
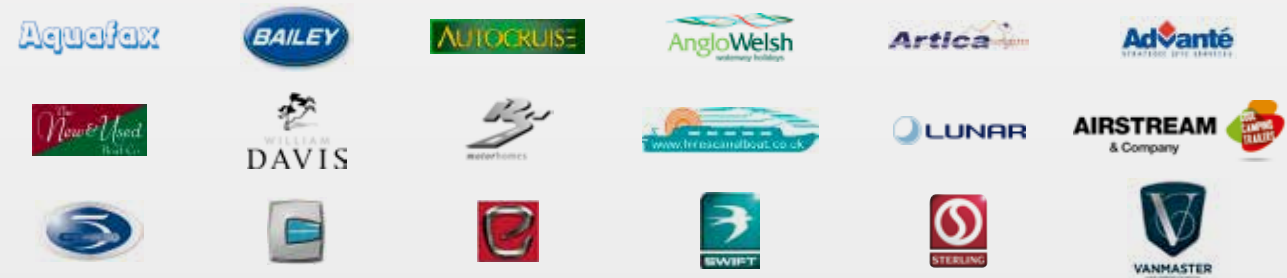
## CUSTOMER SUPPORT

We continuously develop new and improved products for our heating system. This requires training and updating for those who will be installing the products in campers and caravans. Besides product information, we also cover control systems and extra equipment. These encounters with our customers often provide opportunities for valuable knowledge exchange, something we subsequently use in our strivings to always be a little better.

Service manuals and price lists are now also available for download. Please contact us for login details.

# // Thank you for your trust!

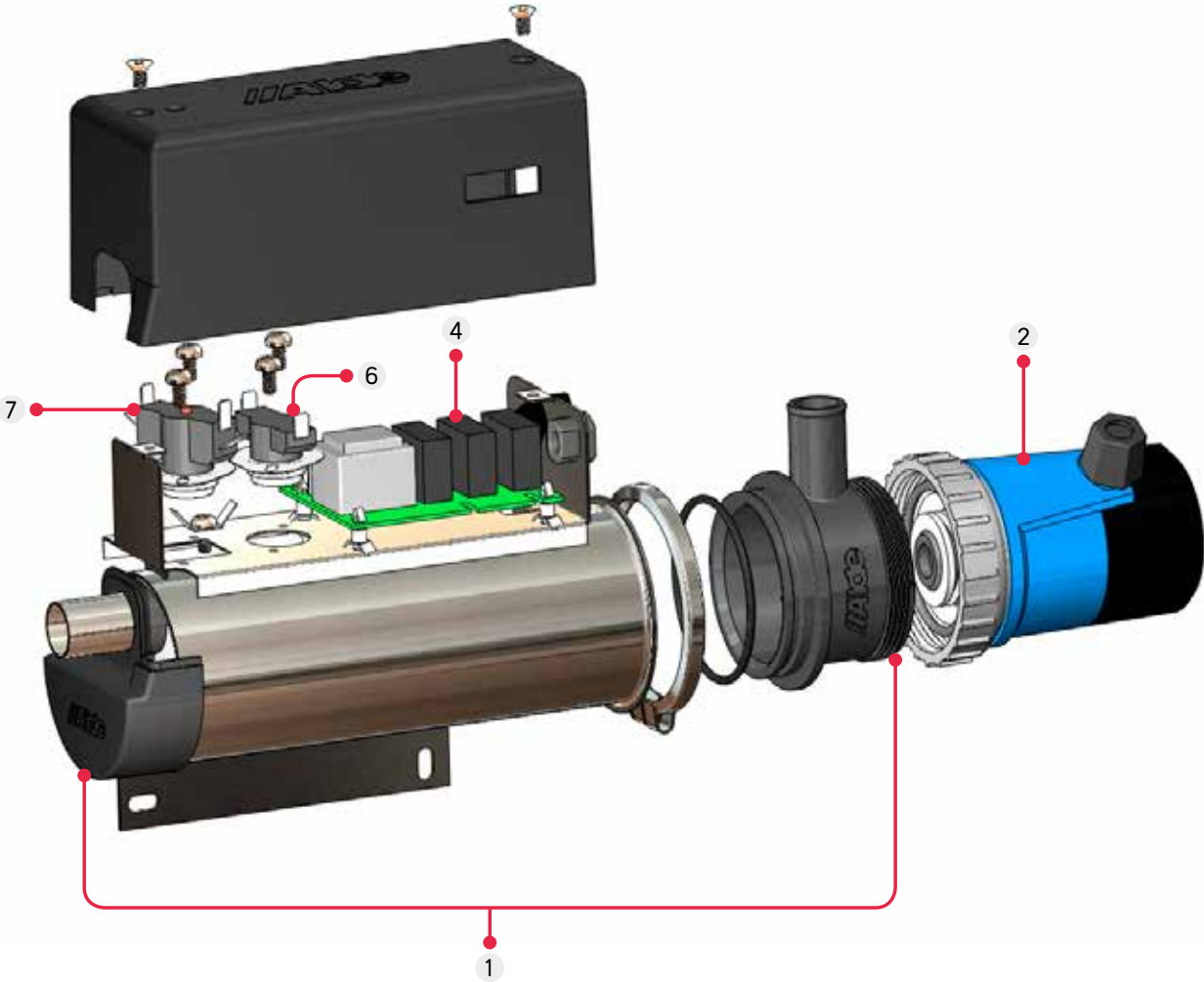
Alde has been selected to provide the privilege to all leading manufacturers heating systems.



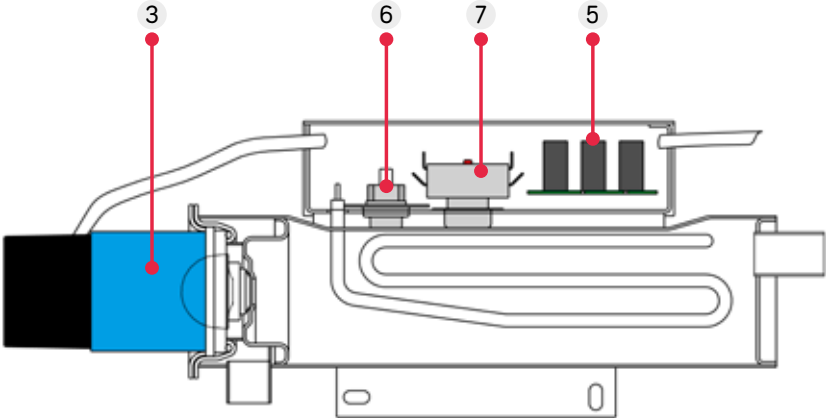
# Spare parts Electric heater



Model 2772



Model 2762



## Tube

Tube with element for 2772.  
Art.No. 2772 237



1

## Circulation pump 230 V

Circulation pump complete with O-ring for electric heater 2772.  
Art.No. 2772 261



2

## Circulation pump 230 V

Circulation pump complete with O-ring for electric heater 2762 and 2763.  
Art.No. 2762 260



3

## Circuit board

Circuit board for electric heater 2772.  
Art.No. 2772 160



4

## Circuit board

Circuit board for electric heater 2762 with quick connection.  
Art.No. 2762 160



5

## Thermostat

Operational thermostat 80 °C. For all electrical heaters model 2737, 2762, 2763 och 2772.  
Art.No. 2737 176



6

## Overheating protection

Overheating protection 110 °C. Fits all models of 2737, 2762 and 2763 with the reset button on the top and 2772.  
Art.No. 2737 186



7

## Room thermostat 12 V

Room thermostat for electric heater 2772 901.  
Art.No. 2772 310







**Electric heater**

Electrical heating cartridge in stainless steel without circulation pump. For mounting on Alde's Comfort boiler. Control via the Comfort boiler's panel.

Art.No. 2772 911



**Electric heater**

Electrical heating cartridge in stainless steel with 230 V circulation pump. For mounting on Alde's Comfort boiler. Control via the Comfort boiler's panel.

Art.No. 2772 921

Art.No. 2772 925 With UK plug.





