

Motorhome Entrance Door CaraD-RF With Aluminium Door Panel

Art. 1401

Ordering Details

Technical Drawing without Fly Net Door

Technical Drawing with Fly Net Door

Technical Drawing Fly Net Screen

Spare Parts Complete Components

Spare Parts Exterior Frame

Spare Parts Door Panel

Spare Parts Fly Net Door

Spare Parts Fly Net Screen

Motorhome Entrance Door CaraD-RF

Ordering Details

Ordering Size: 580 x 1930 in mm (Aperture sizes see technical drawing)

Position of hinges: (seen from outside) right hand left hand

Wall thickness in mm (24 mm - max. 43 mm)

Colour:

Door panel	Exterior Frame and hinge covers	Interior Panel
<input type="checkbox"/> Fiat 249	<input type="checkbox"/> RAL 9010	<input type="checkbox"/> RAL 9001
<input type="checkbox"/> Fiat 249	<input type="checkbox"/> RAL 7035	<input type="checkbox"/> RAL 7035
<input type="checkbox"/>	<input type="checkbox"/> Fiat 210	<input type="checkbox"/>

Pleated blind system: alu/grey

Accessory: Fly Net Door - grey
 Pleated fly screen – black screen
 Version (seen from outside): right hand left hand
 Frame colour: RAL9001 RAL7035 **Part-No.: SER1415....**

Lock- prepared for lock cylinder of the following manufacturer:
version: colour: exterior handle similar to RAL 7035; interior handle similar to RAL 7042
 Oberholz / Zadi
 West – Alloy
 Fawo II / Fawo HSC

Waste bin (optionally): colour: RAL9001 RAL7035 **Part-No.: BG2747..**

Central locking (optionally): position top bottom

Customer: _____ **Part-No.:** _____

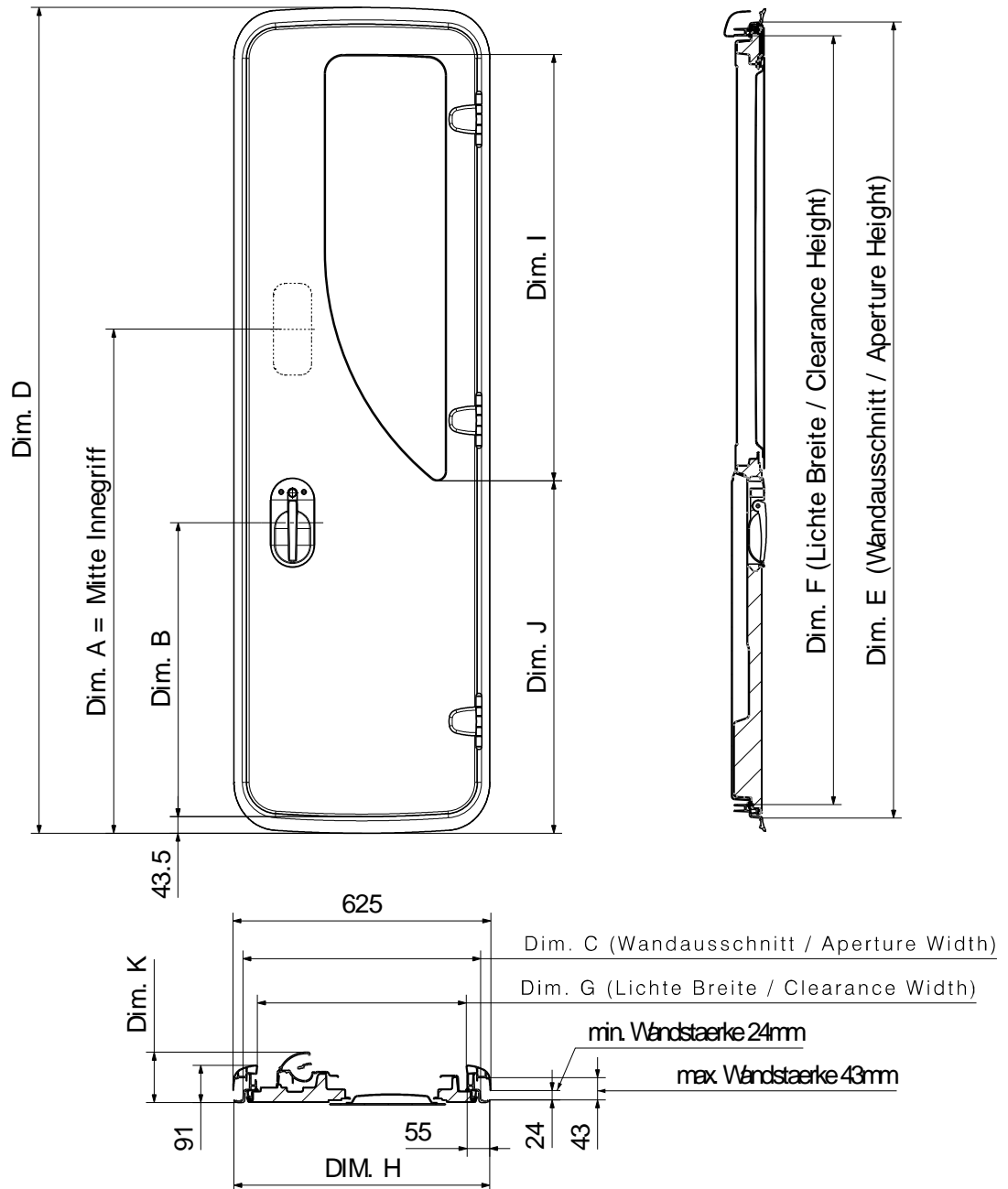
Remarks:

Signature: _____ **Date:** _____

Motorhome Entrance Door CaraD-RF

Without fly net door

Technical Drawing

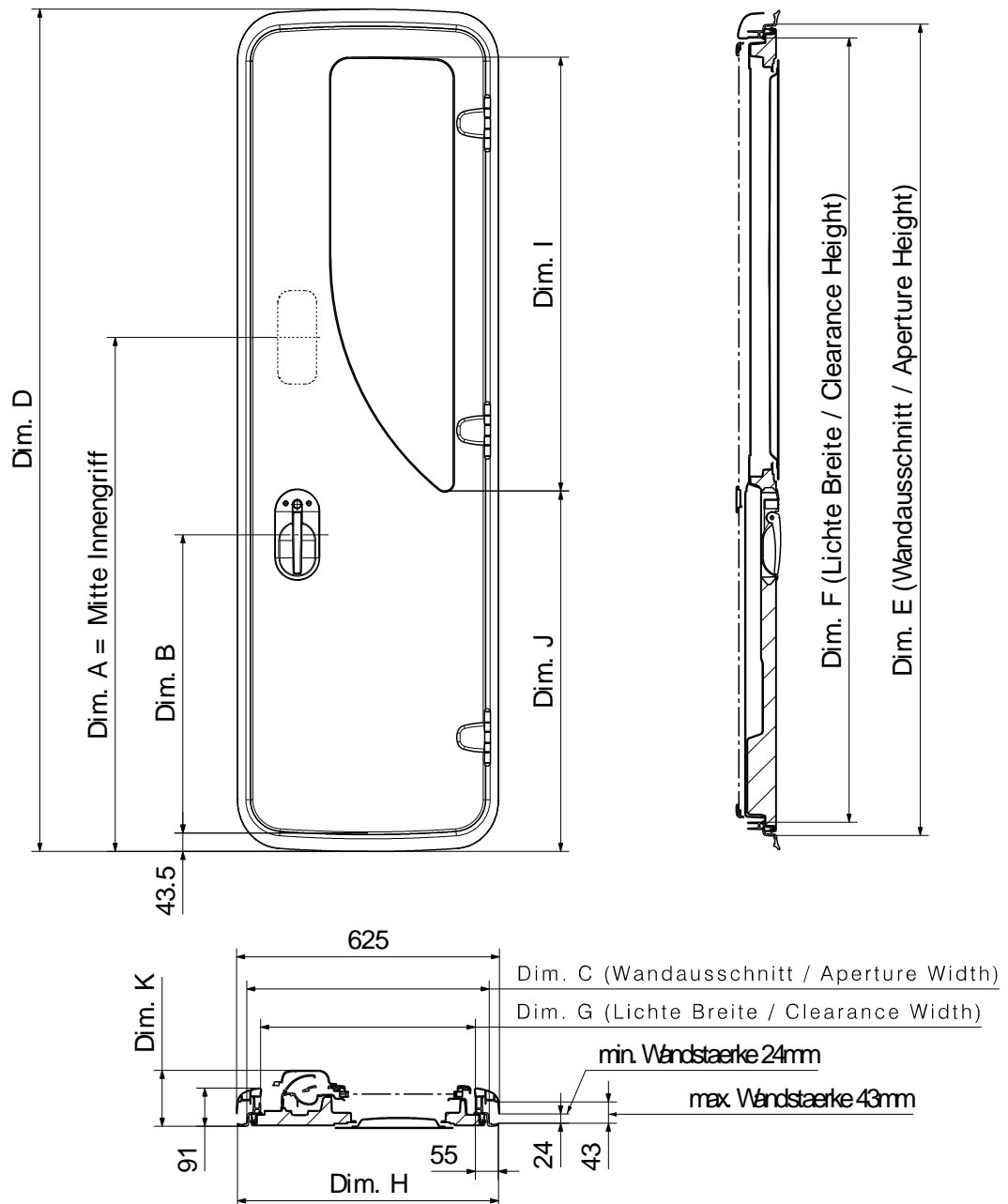


Türbestell mass	Mass A	Mass B	Mass C	Mass D	Mass E	Mass F	Mass G	Mass H	Mass I	Mass J	Mass K	Gewicht
Order- Dimension	Dim. A	Dim. B	Dim. C	Dim. D	Dim. E	Dim. F	Dim. G	Dim. H	Dim. I	Dim. J	Dim. K	Weight
580x1930	1222	709	580	2002	1942	1872	510	620	1052	835	122	ca. 21kg

Motorhome Entrance Door CaraD-RF

With fly net door

Technical drawing

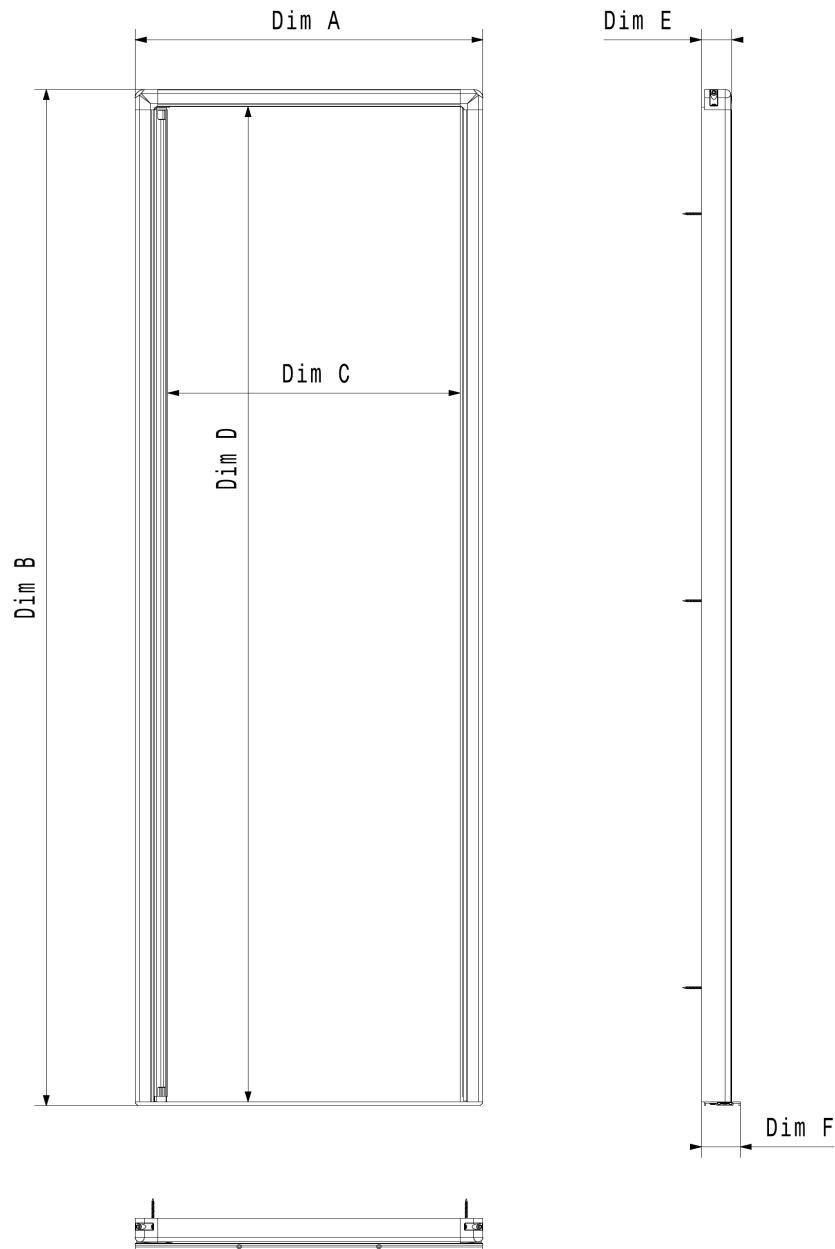


Türbestell mass	Mass A	Mass B	Mass C	Mass D	Mass E	Mass F	Mass G	Mass H	Mass I	Mass J	Mass K	Gewicht
Order- Dimension	Dim A	Dim B	Dim C	Dim D	Dim E	Dim F	Dim G	Dim H	Dim I	Dim J	Dim K	Weight
580x1930	1222	709	580	2002	1942	1872	510	620	1052	835	133	ca. 21kg

Motorhome Entrance Door CaraD-RF

Fly Net Screen

Technical Drawing



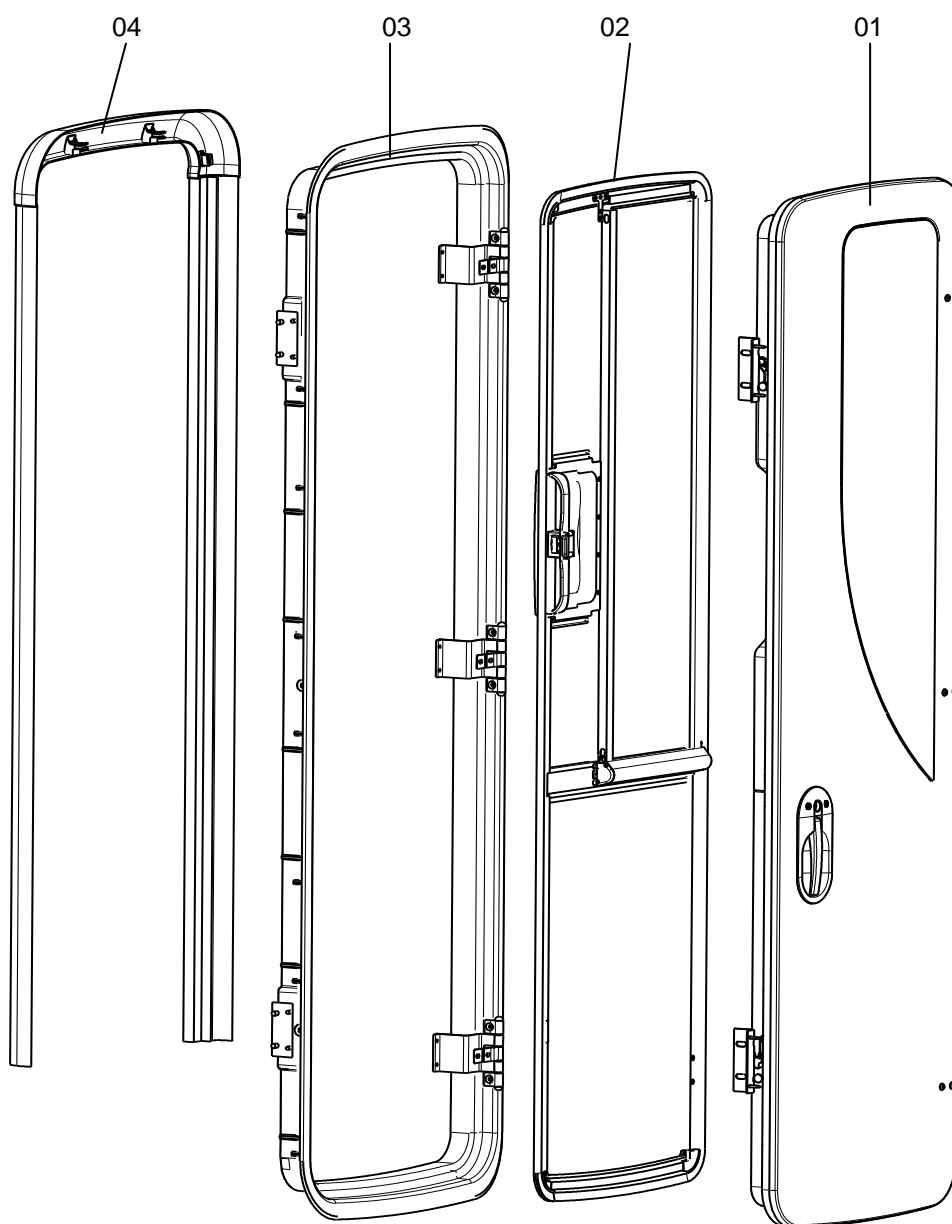
Türbestell- mass	Mass A	Mass B	Mass C	Mass D	Mass E	Mass F
Order- Dimension	Dim A	Dim B	Dim C	Dim D	Dim E	Dim F
	597,8	1933,3	502,5	1893,5	52	66,5

Motorhome Entrance Door CaraD-RF

Spare Parts Complete Components

	Description	Part No.	Pack. Unit
01	Door panel cpl.	BG2193	1 pc.
02	Fly net door cpl.	BG2194	1 pc.
03	Exterior frame cpl.	BG2164	1 pc.
04	Inner cover exterior frame cpl.	BG2165	1 pc.

Important: When ordering specify - description, quantity, wall thickness, colour and version of door (position of hinge left or right hand – seen from outside), cut-out dimension.

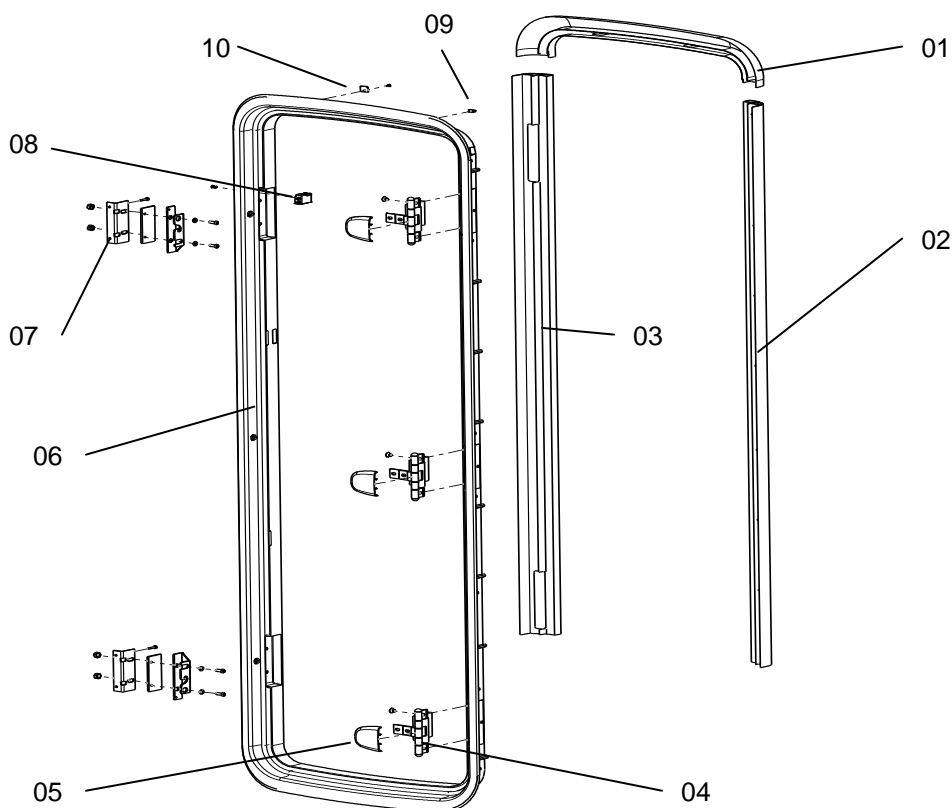


Motorhome Entrance Door CaraD-RF

Spare Parts Exterior Frame

	Description	Part No.	Pack. Unit
01	Interior cover at top	BG2166	1 pc.
02	Interior cover, left side	BG2167	1 pc.
03	Interior cover, right side	BG2168	1 pc.
04	Hinges, for version without fly net door (3 pcs.)	BG2169	1 set
	Hinges, for version with fly net door (3 pcs.)	BG2170	1 set
05	Hinge cover (3 pcs.)	BG2171	1 set
06	Exterior frame, without assembly parts	BG2172	1 pc.
07	Edge plate	BG2173	1 pc.
08	Contact switch (only version with central locking system)	BG2174	1 pc.
09	Clamps	BG2175	1 set
10	Clamps with screws for wall thickness 24-25 mm	ZB1125	1 set
	Clamps with screws for wall thickness 26-27 mm	ZB1126	1 set
	Clamps with screws for wall thickness 28-29 mm	ZB1127	1 set
	Clamps with screws for wall thickness 30-31 mm	ZB1102	1 set
	Clamps with screws for wall thickness 32-33 mm	ZB1117	1 set
	Clamps with screws for wall thickness 34-35 mm	ZB1118	1 set
	Clamps with screws for wall thickness 36-37 mm	ZB1128	1 set
	Clamps with screws for wall thickness 38-39 mm	ZB1129	1 set
	Clamps with screws for wall thickness 40-41 mm	ZB1130	1 set
	Clamps with screws for wall thickness 42-43 mm	ZB1122	1 set

Important: When ordering specify - description, quantity, wall thickness, colour and version of door (position of hinge left or right hand – seen from outside), cut-out dimension.

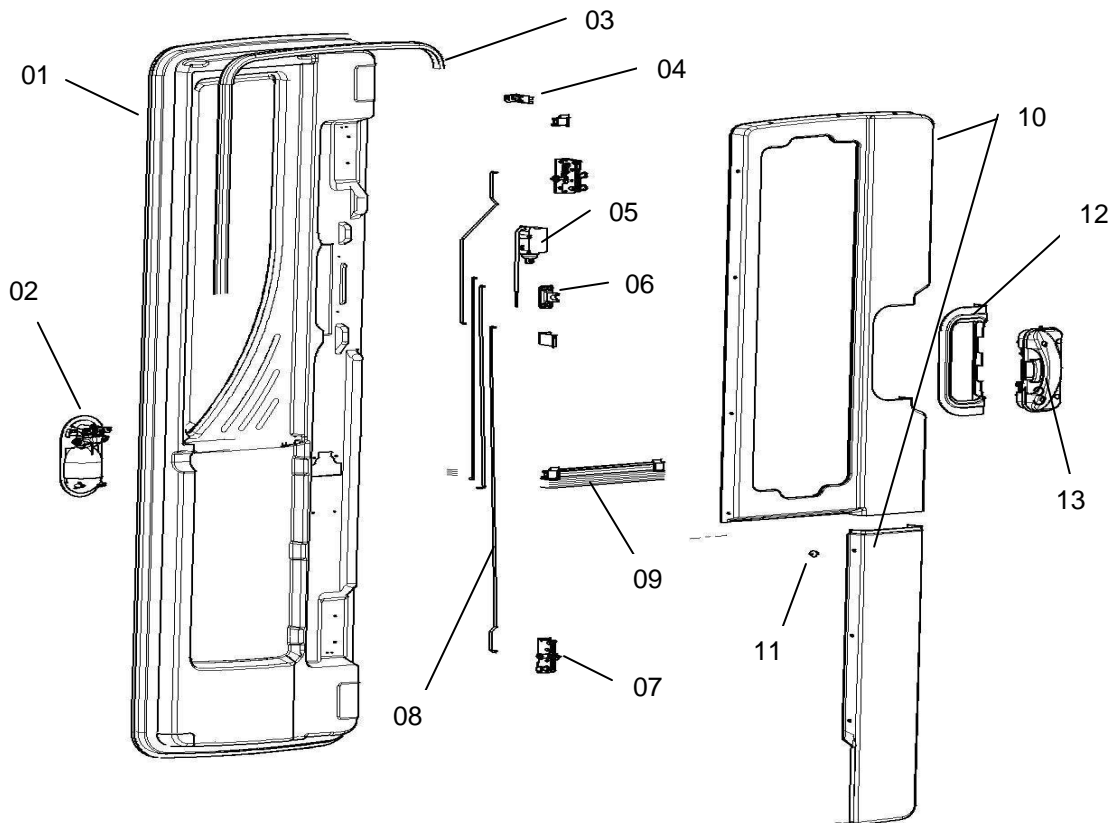


Motorhome Entrance Door CaraD-RF

Spare Parts Door Panel

	Description	Part No.	Pack. Unit
01	Door panel with pane without assembly parts	BG2195	1 pc.
02	Outer handle	BG2178	1 pc.
03	Seal	BG2177	1 pc.
04	Contact switch counterpart	BG2181	1 set
05	E-motor + linkage of bars (only with central locking system)	BG2182	1 pc.
06	Snap lock (only version with fly net door)	BG2183	1 set
07	Lock top/bottom	BG2180	1 set
08	Lock linkage	BG2179	1 set
09	Blind cpl.	BG2197	1 set
10	Inner cover	BG2198	1 pc.
11	Fixing clips	BG2187	1 set
12	Cover inner handle	BG2184	1 pc.
13	Inner handle cpl.	BG2185	1 pc.

Important: When ordering specify - description, quantity, wall thickness, colour and version of door (position of hinge left or right hand – seen from outside), cut-out dimension.

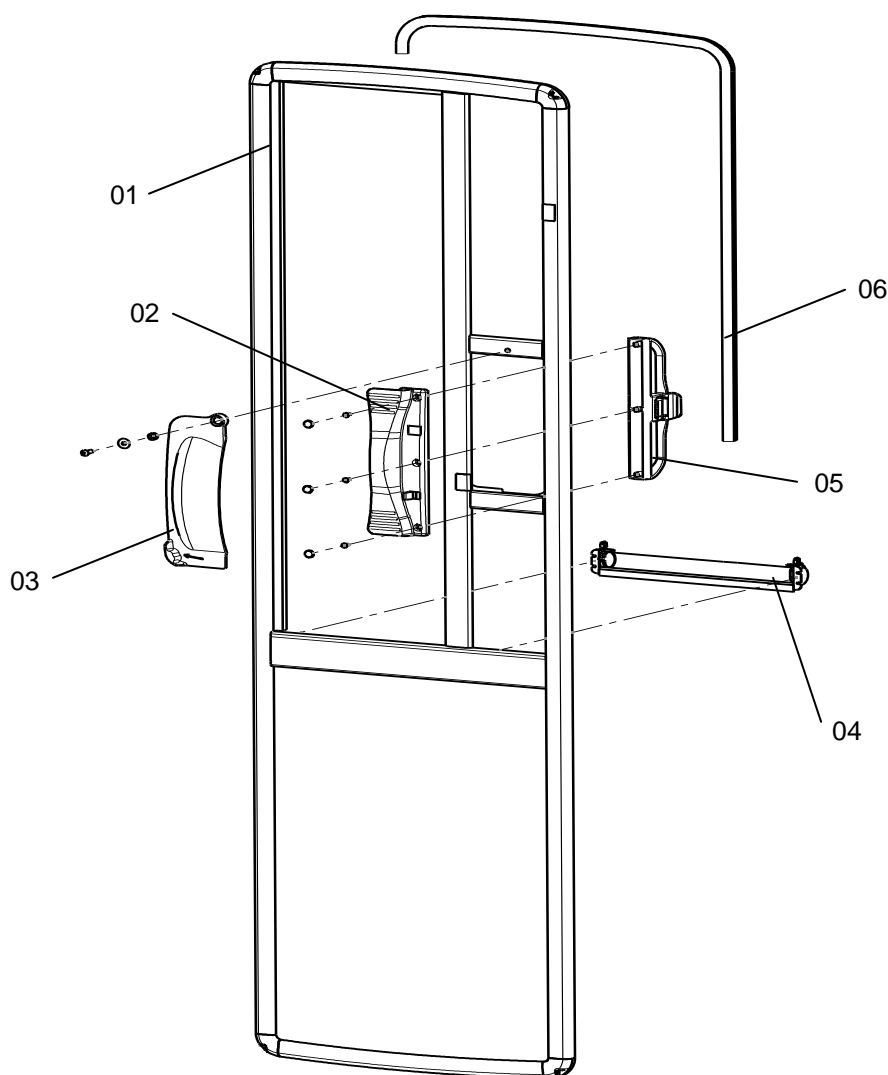


Motorhome Entrance Door CaraD-RF

Spare Parts Fly Net Door

	Description	Part No.	Pack. Unit
01	Fly net door, without assembly parts	BG2201	1 pc.
02	Inner handle	BG2189	1 pc.
03	Cover	BG2202	1 set
04	Fly net cpl.	BG2203	1 pc.
05	Outer handle	BG2191	1 pc.
06	Brush	BG2192	1 pc.

Important: When ordering specify - description, quantity, wall thickness, colour and version of door (position of hinge left or right hand – seen from outside), cut-out dimension.



Motorhome Entrance Door CaraD-RF

Spare Parts Fly Net Screen

	Description	Part No.	Pack. Unit
05	Pleated fly screen with cord and end parts	BG2600	1 pc.
15	Step ledge	BG2602	1 pc.
20	Fly net screen cpl..	BG2603	1 pc.

Important: When ordering specify - description, quantity, wall thickness, colour and version of door (position of hinge left or right hand – seen from outside).

